

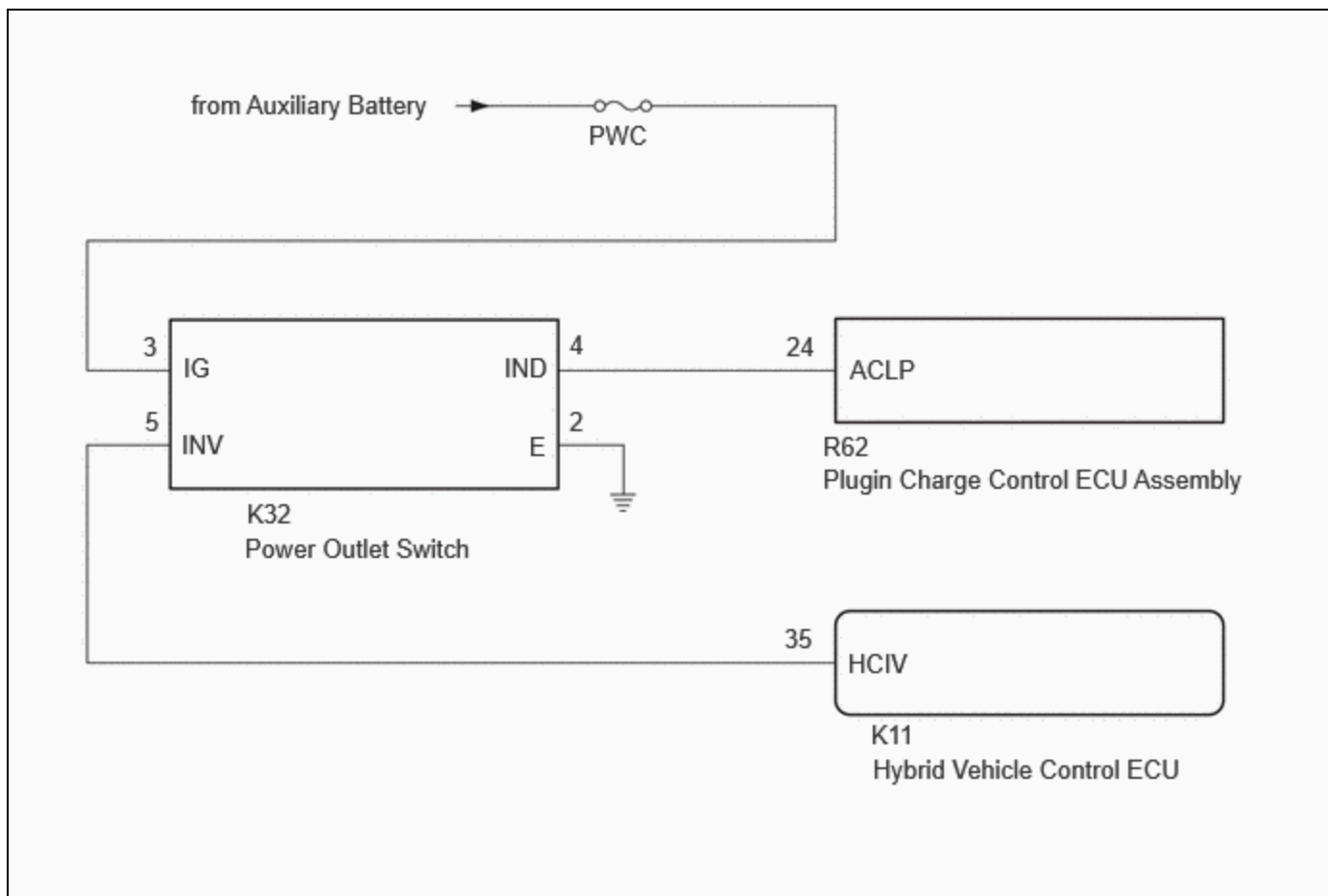
Last Modified: 12-04-2024	6.11:8.1.0	Doc ID: RM10000002BJUE
Model Year Start: 2023	Model: Prius Prime	Prod Date Range: [03/2023 -]
Title: POWER OUTLETS (INT): ACCESSORY POWER OUTLET SYSTEM: Indicator does not illuminate when Accessory Power Outlet System Main Switch Operated; 2023 - 2024 MY Prius Prius Prime [03/2023 -]		

Indicator does not illuminate when Accessory Power Outlet System Main Switch Operated

DESCRIPTION

The plugin charge control ECU assembly receives operation signals from the hybrid vehicle control ECU and illuminates the indicator on the power outlet switch.

WIRING DIAGRAM



CAUTION / NOTICE / HINT

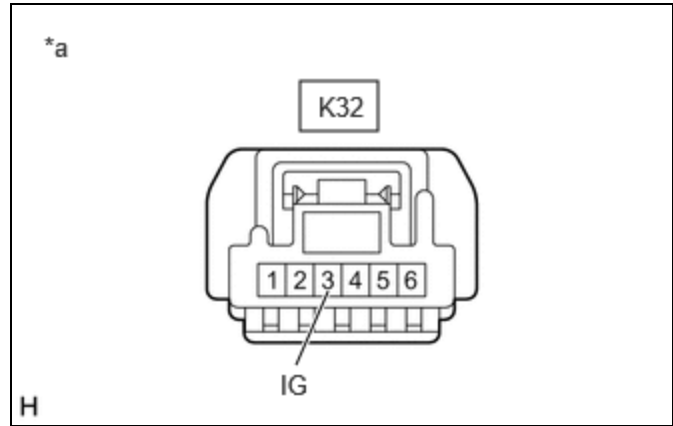
NOTICE:

Inspect the fuses for circuits related to this system before performing the following procedure.

PROCEDURE

1. CHECK HARNESS AND CONNECTOR

(a) Disconnect the K32 power outlet switch connector.



*a Front view of wire harness connector (to Power Outlet Switch)

(b) Measure the voltage according to the value(s) in the table below.

Standard Voltage:



[Click Location & Routing\(K32\).](#)

[Click Connector\(K32\).](#)

TESTER CONNECTION	CONDITION	SPECIFIED CONDITION
K32-3 (IG) - Body ground	Ignition switch off	Below 1 V
	Ignition switch ON	11 to 14 V

NG ► REPAIR OR REPLACE HARNESS OR CONNECTOR

OK



2.	INSPECT POWER OUTLET SWITCH
-----------	------------------------------------

Click here [INFO](#)

NG ► REPLACE POWER OUTLET SWITCH

OK



3. CHECK HARNESS AND CONNECTOR

- (a) Disconnect the K32 power outlet switch connector.
- (b) Disconnect the R62 plugin charge control ECU assembly connector.
- (c) Measure the resistance according to the value(s) in the table below.

Standard Resistance:



[Click Location & Routing\(K32,R62\).](#)

[Click Connector\(K32\).](#)

[Click Connector\(R62\).](#)

TESTER CONNECTION	CONDITION	SPECIFIED CONDITION
K32-4 (IND) - R62-24 (ACLP)	Always	Below 1 Ω
K32-4 (IND) or R62-24 (ACLP) - Body ground	Always	10 k Ω or higher

OK ► REPLACE PLUGIN CHARGE CONTROL ECU ASSEMBLY

NG ► REPAIR OR REPLACE HARNESS OR CONNECTOR

