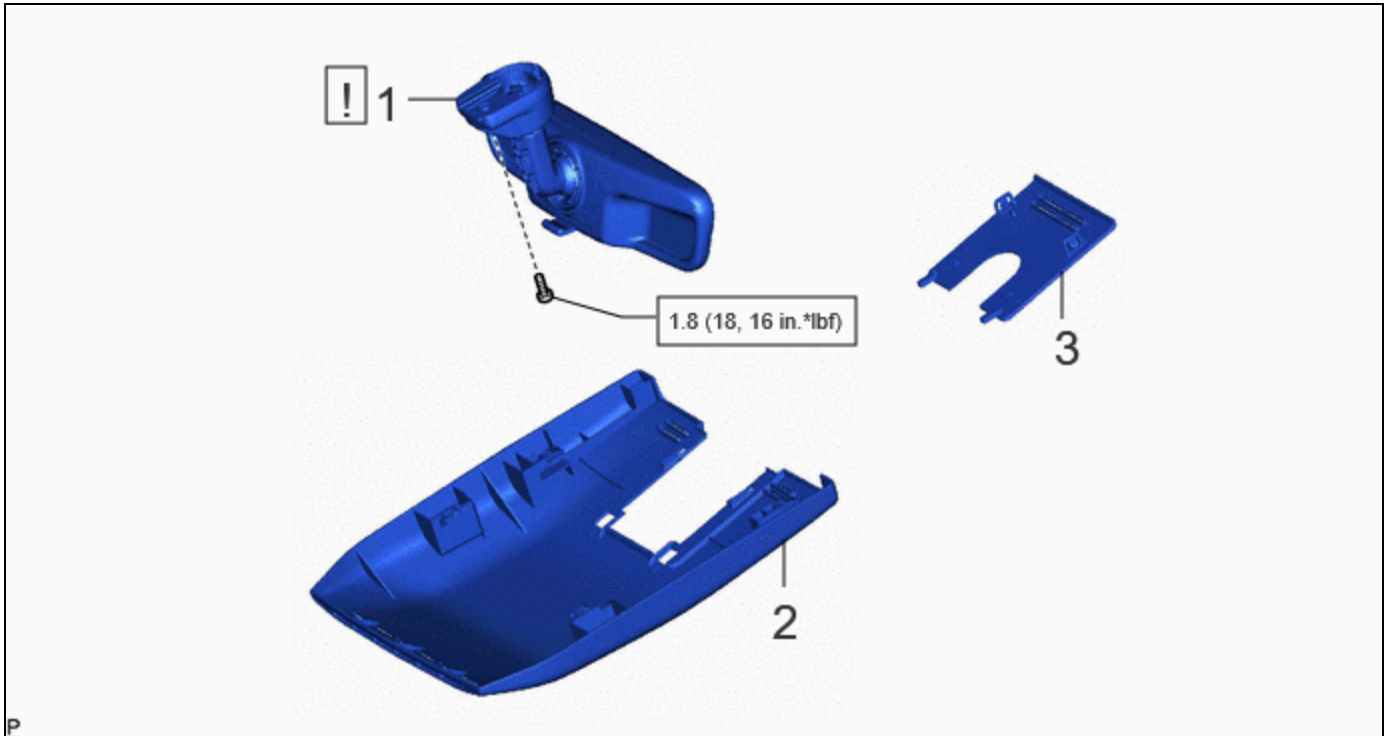


Last Modified: 12-04-2024	6.11:8.1.0	Doc ID: RM1000000029DKB
Model Year Start: 2023	Model: Prius Prime	Prod Date Range: [12/2022 -]
Title: MIRROR (INT): INNER REAR VIEW MIRROR (w/o EC Mirror): INSTALLATION; 2023 - 2024 MY Prius Prius Prime [12/2022 -]		

INSTALLATION

CAUTION / NOTICE / HINT

COMPONENTS (INSTALLATION)

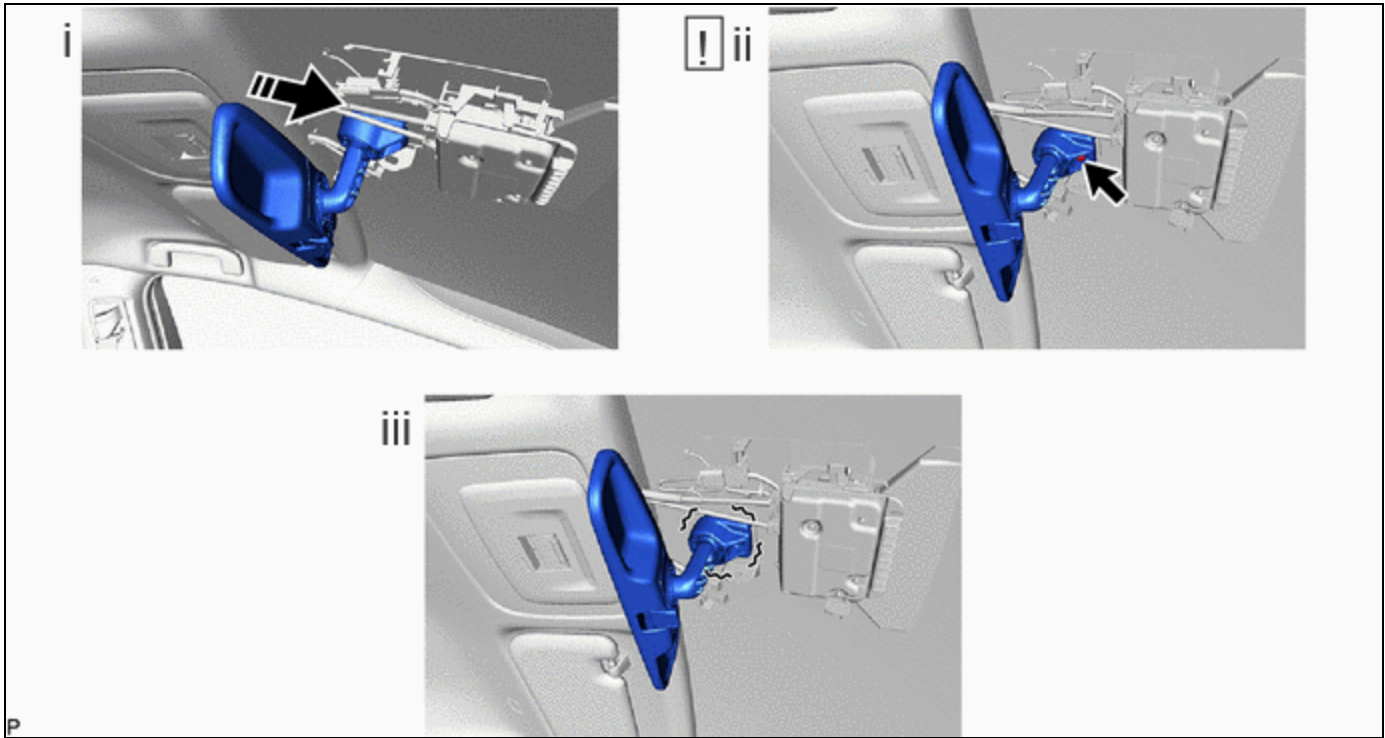



PROCEDURE		PART NAME CODE			
1	INNER REAR VIEW MIRROR ASSEMBLY	87810	INFO	-	-
2	NO. 1 FORWARD RECOGNITION COVER	86466D	-	-	-
3	NO. 2 FORWARD RECOGNITION COVER	86466E	-	-	-

	N*m (kgf*cm, ft.*lbf): Specified torque	-	-
--	---	---	---

PROCEDURE

1. INSTALL INNER REAR VIEW MIRROR ASSEMBLY



	Install in this Direction	-	-
---	---------------------------	---	---

- (1) Slide and temporarily install the inner rear view mirror assembly as shown in the illustration.
- (2) Using a T20 "TORX" socket wrench, install the inner rear view mirror assembly with the screw.

Torque:

1.8 N·m {18 kgf·cm, 16 in·lbf}

- (3) Check that there is no play in the inner rear view mirror assembly.

2. INSTALL NO. 1 FORWARD RECOGNITION COVER

3. INSTALL NO. 2 FORWARD RECOGNITION COVER

