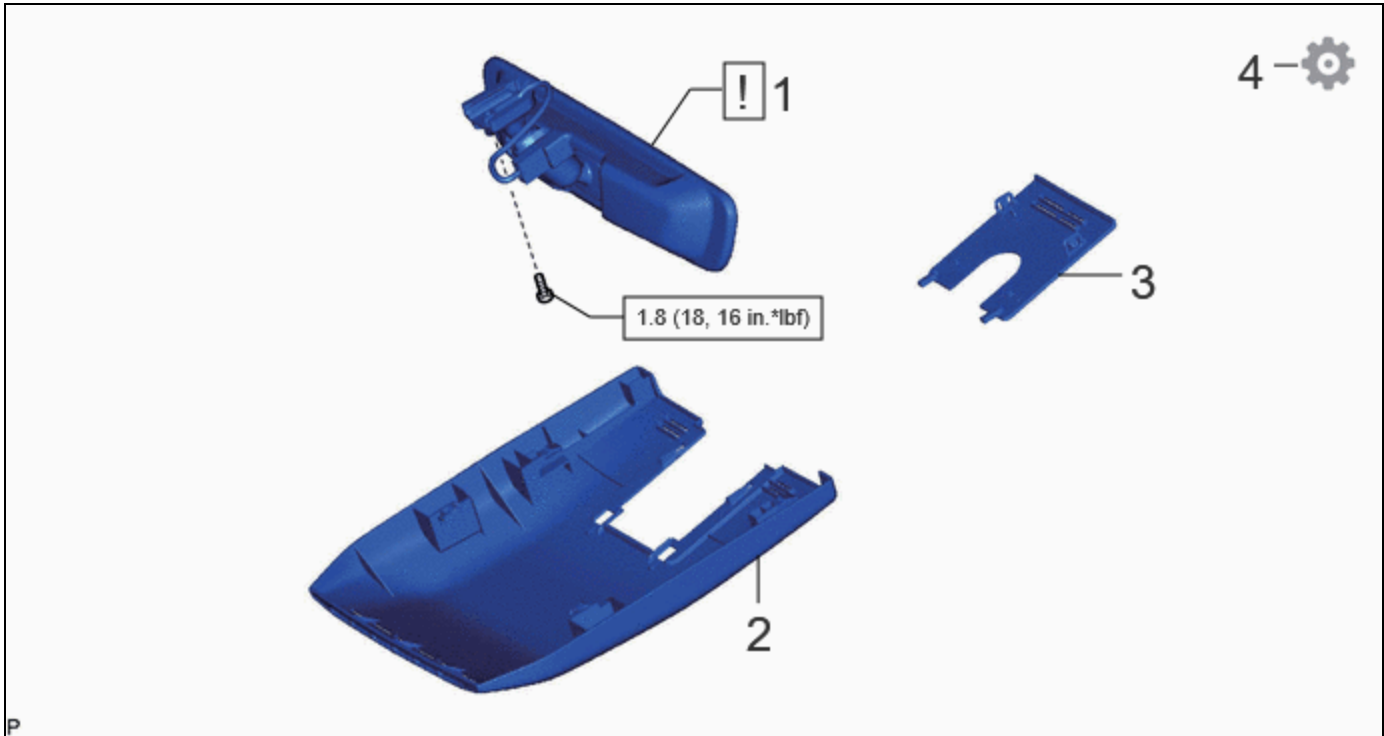


<b>Last Modified:</b> 12-04-2024	6.11:8.1.0	<b>Doc ID:</b> RM1000000029DJT
<b>Model Year Start:</b> 2023	<b>Model:</b> Prius Prime	<b>Prod Date Range:</b> [12/2022 - ]
<b>Title:</b> MIRROR (INT): INNER REAR VIEW MIRROR (w/ EC Mirror): INSTALLATION; 2023 - 2024 MY Prius Prius Prime [12/2022 - ]		

## INSTALLATION

### CAUTION / NOTICE / HINT

#### COMPONENTS (INSTALLATION)

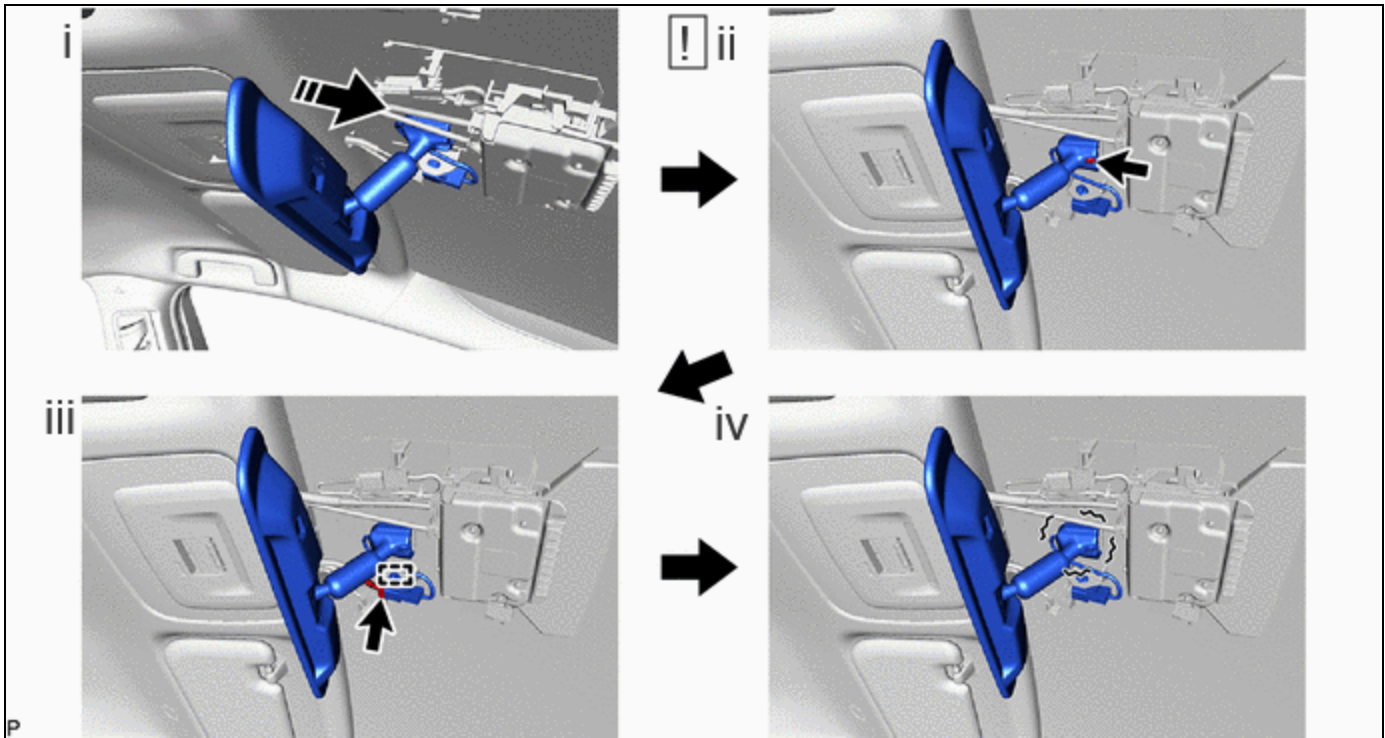


	PROCEDURE	PART NAME CODE			
1	INNER REAR VIEW MIRROR ASSEMBLY	87810	<a href="#">INFO</a>	-	-
2	NO. 1 FORWARD RECOGNITION COVER	86466D	-	-	-
3	NO. 2 FORWARD RECOGNITION COVER	86466E	-	-	-
4	PERFORM REGISTRATION	-	-	-	<a href="#">INFO</a>

	N*m (kgf*cm, ft.*lbf): Specified torque	-	-
--	---	---	---

## PROCEDURE

**1. INSTALL INNER REAR VIEW MIRROR ASSEMBLY**



	Install in this Direction	-	-
--	---------------------------	---	---

- (1) Slide and temporarily install the inner rear view mirror assembly as shown in the illustration.
- (2) Using a T20 "TORX" socket wrench, install the inner rear view mirror assembly with the screw.

**Torque:**

**1.8 N·m {18 kgf·cm, 16 in·lbf}**

- (3) Engage the clamp and connect the connector.
- (4) Check that there is no play in the inner rear view mirror assembly.

**2. INSTALL NO. 1 FORWARD RECOGNITION COVER**

**3. INSTALL NO. 2 FORWARD RECOGNITION COVER**

**4. PERFORM REGISTRATION**

Click here [INFO](#)

