

Last Modified: 12-04-2024	6.11:8.1.0	Doc ID: RM1000000029DK1
Model Year Start: 2023	Model: Prius Prime	Prod Date Range: [12/2022 -]
Title: MIRROR (INT): INNER MIRROR MONITOR CAMERA: REMOVAL; 2023 - 2024 MY Prius Prius Prime [12/2022 -]		

REMOVAL

CAUTION / NOTICE / HINT

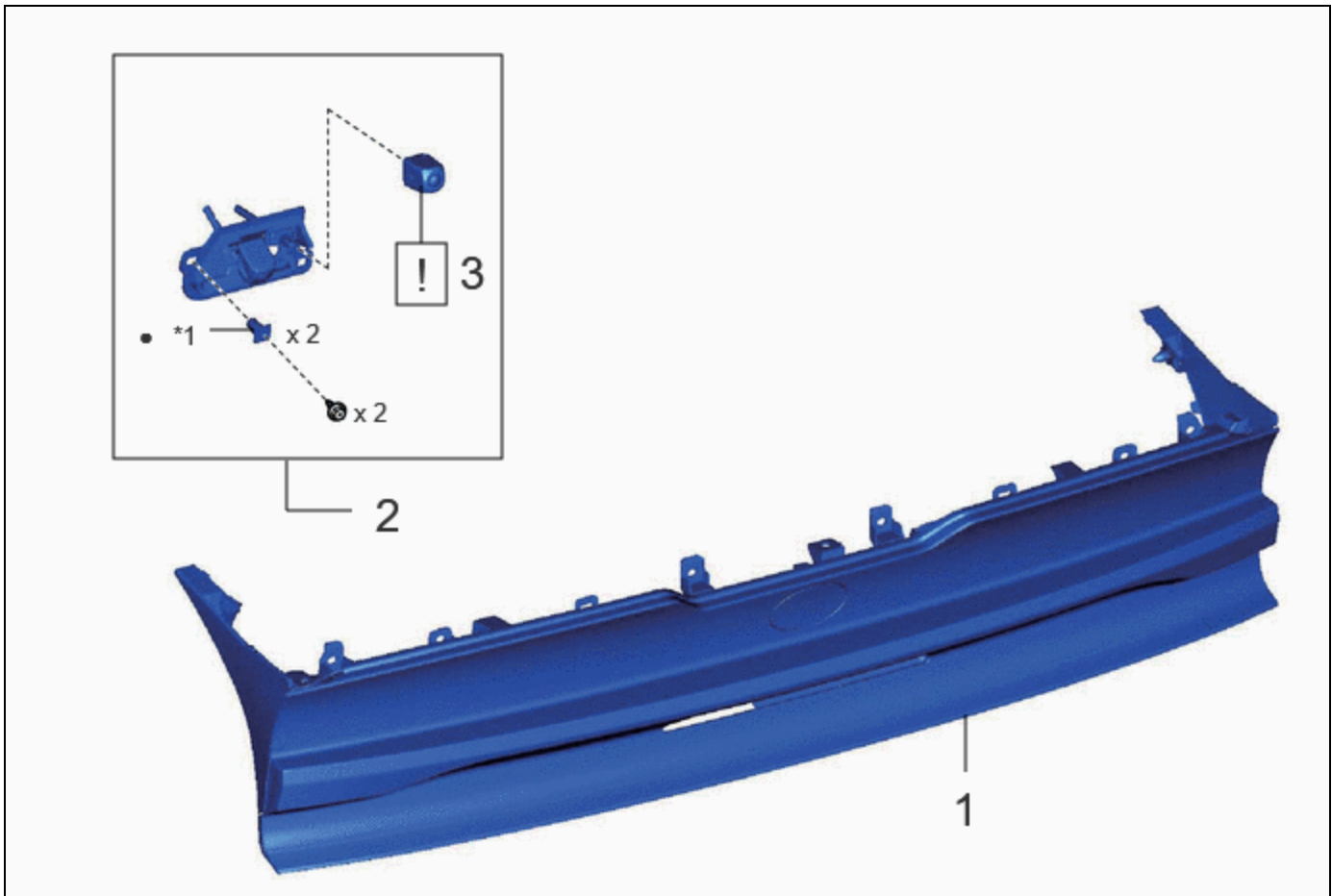
The necessary procedures (adjustment, calibration, initialization or registration) that must be performed after parts are removed and installed, or replaced during rear television camera assembly removal/installation are shown below.

Necessary Procedures After Parts Removed/Installed/Replaced

REPLACED PART OR PERFORMED PROCEDURE	NECESSARY PROCEDURES	EFFECT/INOPERATIVE FUNCTION WHEN NECESSARY PROCEDURES ARE NOT PERFORMED	LINK
Rear television camera assembly	<ul style="list-style-type: none"> Parking assist monitor system initialization*1 Rear television camera assembly optical axis (Back camera position setting)*1 	Parking Assist Monitor System	INFO
	Rear television camera view adjustment*1	Parking Support Brake System	INFO
		Panoramic View Monitor System	INFO
	Camera cleaner setting operation*2	Advanced Park	INFO
		Multimedia switch is not displayed	INFO
<p>*1: Even when not replacing the part, it is necessary to perform the specified necessary procedures after installation.</p> <p>*2: w/ Rear Camera Cleaner System</p>			

CAUTION / NOTICE / HINT

COMPONENTS (REMOVAL)



PROCEDURE		PART NAME CODE			
1	REAR LIGHT ASSEMBLY	-	-	-	-
2	TELEVISION CAMERA ASSEMBLY	86790D	-	-	-
3	INNER MIRROR CAMERA ASSEMBLY	867C0B	INFO	-	-

*1	Screw grommet	-	-
•	Non-reusable part	-	-

PROCEDURE

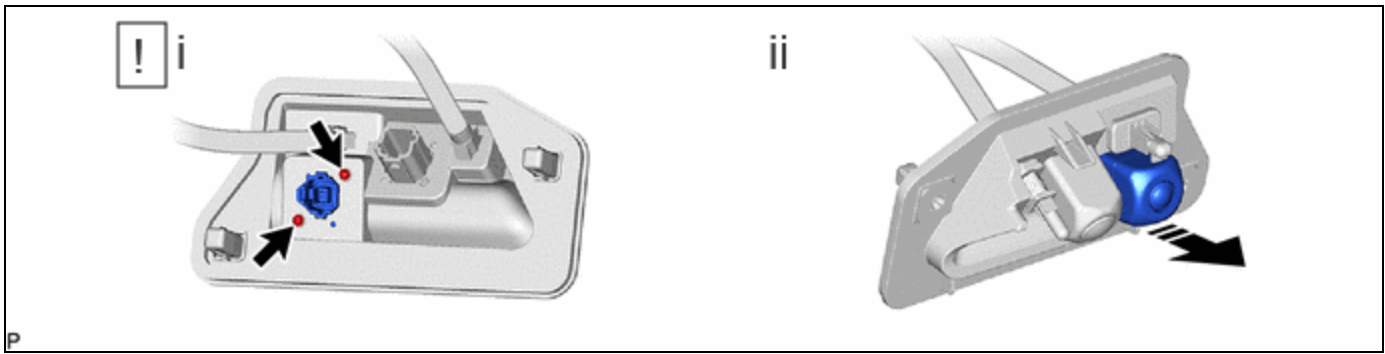
1. REMOVE REAR LIGHT ASSEMBLY


Click here [INFO](#)

2. REMOVE TELEVISION CAMERA ASSEMBLY

Click here [INFO](#)

3. REMOVE INNER MIRROR CAMERA ASSEMBLY



	Remove in this Direction	-	-
---	--------------------------	---	---

- (1) Using a T6 "TORX" socket wrench, remove the 2 screws.
- (2) Remove the inner mirror camera assembly as shown in the illustration.

