

<b>Last Modified:</b> 12-04-2024	6.11:8.1.0	<b>Doc ID:</b> RM1000000299KU
<b>Model Year Start:</b> 2023	<b>Model:</b> Prius Prime	<b>Prod Date Range:</b> [12/2022 - ]
<b>Title:</b> MIRROR (INT): DIGITAL REAR-VIEW MIRROR SYSTEM: OPERATION CHECK; 2023 - 2024 MY Prius Prius Prime [12/2022 - ]		

## OPERATION CHECK

**HINT:**

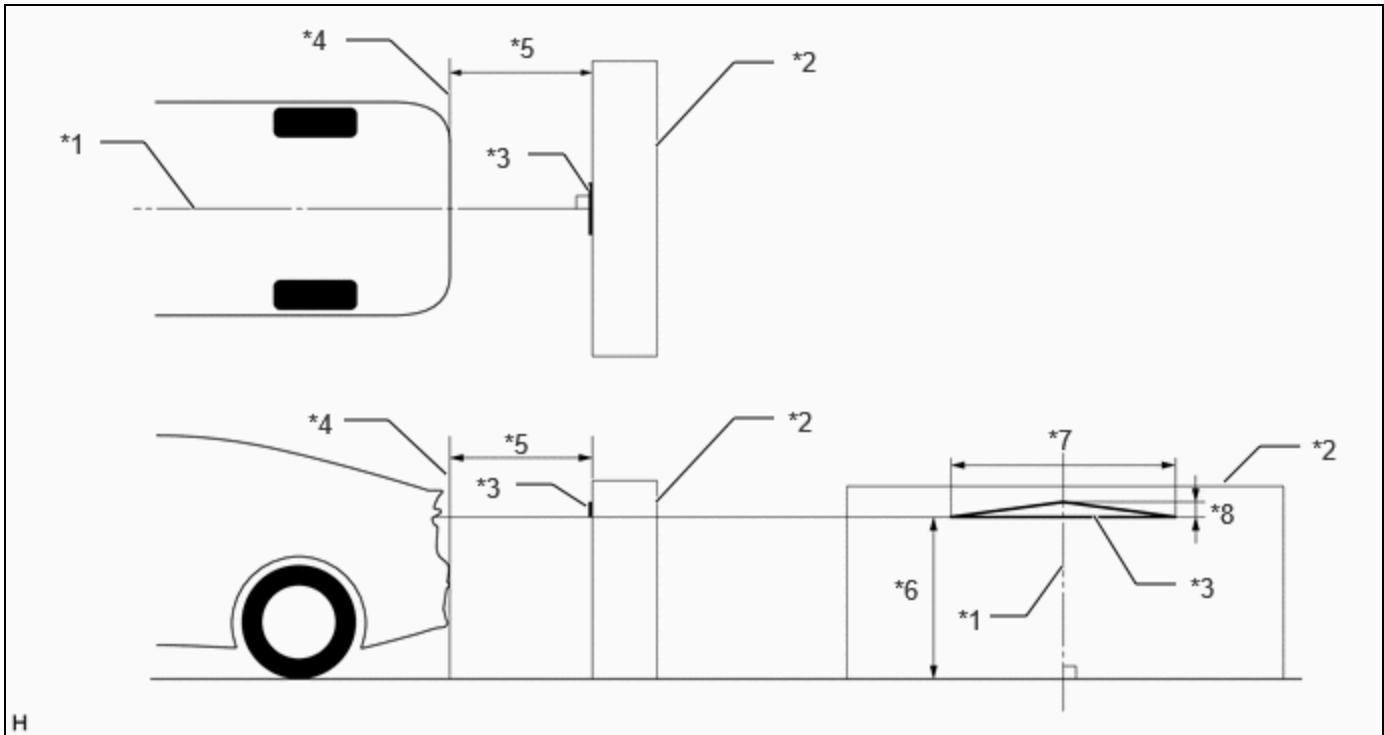
- It is only necessary to perform an inspection when there are dents or distortion in the back door panel sub-assembly as a result of an accident.
- Inspections are not required when replacing parts or removing and reinstalling.

**Camera image range confirmation procedure**

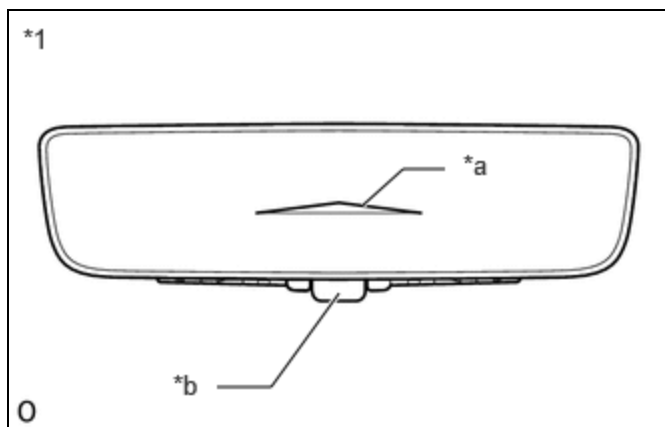
(a) Set the vehicle in the position shown in the illustration and create a target on the wall.

**NOTICE:**

- Perform on a level surface.
- Remove all luggage from the vehicle before starting work.
- Adjust the tire pressures to the specified pressure before starting work.



*1	Vehicle Center	*2	Wall, etc.
*3	Target	*4	Vehicle Rear End
*5	100 cm (3.28 ft.)	*6	90.3 cm (2.96 ft.)
*7	49.5 cm (1.62 ft.)	*8	2.3 cm (0.08 ft.)



*1	Inner Rear View Mirror Assembly
*a	Target
*b	Switch Lever

(b) With the ignition switch to ON, operate the switch lever and turn the display on (digital mirror mode) and check that the target is recognized on the inner rear view mirror assembly.

**HINT:**

- Set the display settings to the initial settings (position, zoom [enlargement/reduction]).
- If the target is properly displayed, there is no problem with the positioning and the digital inner mirror system is normal.

