

Last Modified: 12-04-2024	6.11:8.1.0	Doc ID: RM1000000029DJY
Model Year Start: 2023	Model: Prius Prime	Prod Date Range: [12/2022 -]
Title: MIRROR (INT): DIGITAL INNER MIRROR: REMOVAL; 2023 - 2024 MY Prius Prius Prime [12/2022 -]		

REMOVAL

CAUTION / NOTICE / HINT

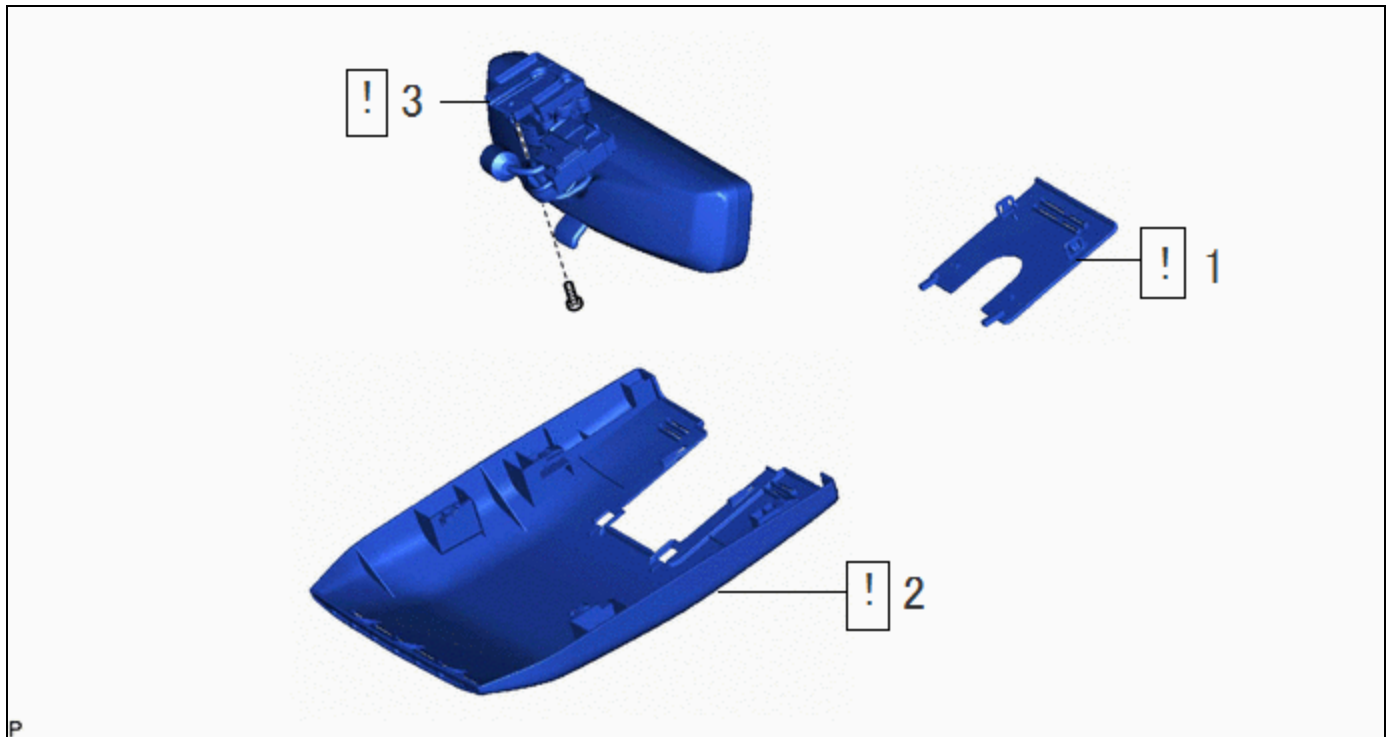
The necessary procedures (adjustment, calibration, initialization or registration) that must be performed after parts are removed and installed, or replaced during inner rear view mirror assembly removal/installation are shown below.

Necessary Procedure After Parts Removed/Installed/Replaced




REPLACED PART OR PERFORMED PROCEDURE	NECESSARY PROCEDURE	EFFECT/INOPERATIVE FUNCTION WHEN NECESSARY PROCEDURES ARE NOT PERFORMED	LINK
Inner rear view mirror assembly	Register codes in the garage door opener system	Garage Door Opener System (for Digital Inner Mirror)	INFO

CAUTION / NOTICE / HINT

COMPONENTS (REMOVAL)




	PROCEDURE	PART NAME CODE			
1	NO. 2 FORWARD RECOGNITION COVER	86466E	INFO	-	-
2	NO. 1 FORWARD RECOGNITION COVER	86466D	INFO	-	-


PROCEDURE		PART NAME CODE			
3	INNER REAR VIEW MIRROR ASSEMBLY	87810	INFO	-	-

PROCEDURE

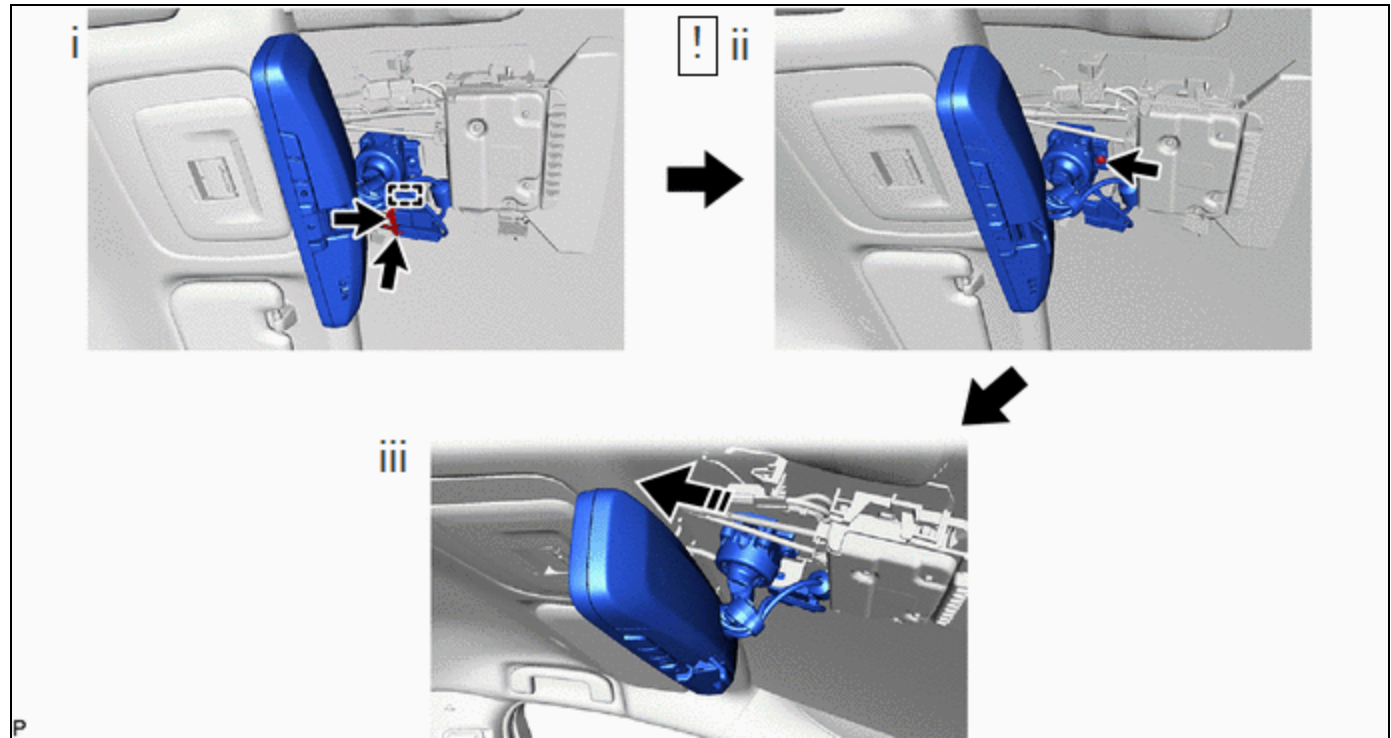
1. REMOVE NO. 2 FORWARD RECOGNITION COVER


	Click here INFO
---	---------------------------------

2. REMOVE NO. 1 FORWARD RECOGNITION COVER

	Click here INFO
---	---------------------------------

3. REMOVE INNER REAR VIEW MIRROR ASSEMBLY



	Remove in this Direction	-	-
---	--------------------------	---	---

- (1) Disengage the clamp and disconnect the 2 connectors.
- (2) Using a T20 "TORX" socket wrench, remove the screw.
- (3) Slide the inner rear view mirror assembly as shown in the illustration to remove it.

