

Last Modified: 12-04-2024	6.11:8.1.0	Doc ID: RM10000002BJFC
Model Year Start: 2023	Model: Prius Prime	Prod Date Range: [03/2023 -]
Title: METER / GAUGE / DISPLAY: METER / GAUGE SYSTEM: DATA LIST / ACTIVE TEST; 2023 - 2024 MY Prius Prius Prime [03/2023 -]		

DATA LIST / ACTIVE TEST

DATA LIST

NOTICE:

In the table below, the values listed under "Normal Condition" are reference values. Do not depend solely on these reference values when deciding whether a part is faulty or not.

HINT:

Using the GTS to read the Data List allows the values or states of switches, sensors, actuators and other items to be read without removing any parts. This non-intrusive inspection can be very useful because intermittent conditions or signals may be discovered before parts or wiring is disturbed. Reading the Data List information early in troubleshooting is one way to save diagnostic time.

(a) Read the Data List according to the display on the GTS.

(1) Combination Meter

HINT:

Depending on the specifications of the vehicle, some items may not be displayed.

Body Electrical > Combination Meter > Data List

TESTER DISPLAY	MEASUREMENT ITEM	RANGE	NORMAL CONDITION	DIAGNOSTIC NOTE
Total Distance Traveled	Total distance traveled	Min.: 0, Max.: 16777215	-	-
Total Distance Traveled - Unit	Total distance traveled unit	km or mile	-	-
ODO/TRIP Change Switch	ODO/TRIP switch operation	OFF or ON	OFF: Switch released ON: Switch pushed	-
Light Control Switch (UP)	Light control rheostat up switch operation	OFF or ON	OFF: Switch released ON: Switch pushed	-
Light Control Switch (DOWN)	Light control rheostat down switch operation	OFF or ON	OFF: Switch released ON: Switch pushed	-
Multi Switch (Up)	Up switch on steering pad switch operation	OFF or ON	OFF: Switch released ON: Switch pushed	-

TESTER DISPLAY	MEASUREMENT ITEM	RANGE	NORMAL CONDITION	DIAGNOSTIC NOTE
Multi Switch (Down)	Down switch on steering pad switch operation	OFF or ON	OFF: Switch released ON: Switch pushed	-
Multi Switch (Left)	Left switch on steering pad switch operation	OFF or ON	OFF: Switch released ON: Switch pushed	-
Multi Switch (Right)	Right switch on steering pad switch operation	OFF or ON	OFF: Switch released ON: Switch pushed	-
Multi Switch (Enter)	OK switch on steering pad switch operation	OFF or ON	OFF: Switch released ON: Switch pushed	-
Multi Switch (Back)	Back switch on steering pad switch operation	OFF or ON	OFF: Switch released ON: Switch pushed	-
+B Voltage	Auxiliary battery voltage (Combination meter assembly input)	Min.: 0.0 V, Max.: 25.4 V or Unset	11 to 14 V	-
Fuel Input	Fuel level input	Min.: 0.00 L, Max.: 655.34 L or Unset	<p>for HEV Model (except 4WD Model)</p> <ul style="list-style-type: none"> Fuel receiver gauge indicates F: 37.06 L Fuel receiver gauge indicates 3/4: 28.93 L Fuel receiver gauge indicates 1/2: 20.80 L Fuel receiver gauge indicates 1/4: 12.66 L Fuel receiver gauge indicates E: 4.53 L <p>for HEV Model (for 4WD Model)</p> <ul style="list-style-type: none"> Fuel receiver gauge indicates F: 34.78 L 	The detected value of the fuel sender gauge assembly is displayed.

TESTER DISPLAY	MEASUREMENT ITEM	RANGE	NORMAL CONDITION	DIAGNOSTIC NOTE
			<ul style="list-style-type: none"> Fuel receiver gauge indicates 3/4: 27.18 L Fuel receiver gauge indicates 1/2: 19.59 L Fuel receiver gauge indicates 1/4: 11.99 L Fuel receiver gauge indicates E: 4.39 L <p>for PHEV Model</p> <ul style="list-style-type: none"> Fuel receiver gauge indicates F: 34.60 L Fuel receiver gauge indicates 3/4: 27.30 L Fuel receiver gauge indicates 1/2: 20.00 L Fuel receiver gauge indicates 1/4: 12.00 L Fuel receiver gauge indicates E: 4.00 L 	
Vehicle Speed Meter	Vehicle speed input	Min.: 0 km/h (0 mph), Max.: 254 km/h (158 mph) or Unset	Almost the same as actual speedometer	The value displayed on the speedometer may deviate.*
Engine RPM	Engine speed input	Min.: 0 rpm, Max.: 12700 rpm or Unset	Almost the same as actual engine RPM	-
Washer Level Warning Switch	Washer fluid level warning switch input	OFF or ON	OFF: Washer fluid level not low ON: Washer fluid level low	-
Driver Buckle Switch	Seat belt buckle switch input (for Driver seat)	Fastened or Not Fastened	Fastened: Driver seat belt buckle switch fastened Not Fastened: Driver seat belt buckle switch unfastened	-

TESTER DISPLAY	MEASUREMENT ITEM	RANGE	NORMAL CONDITION	DIAGNOSTIC NOTE
Hazard Flasher Switch	Hazard warning signal switch input	OFF or ON	OFF: Hazard warning signal switch off ON: Hazard warning signal switch on	-
Ambient Temperature (Celsius)	Outside temperature input (Celsius)	Min.: -40.0°C, Max.: 87.0°C or Unset	Almost the same as actual outside temperature	-
Ambient Temperature (Fahrenheit)	Outside temperature input (Fahrenheit)	Min.: -40°F, Max.: 214°F or Unset	Almost the same as actual outside temperature	-
Lighting System	Existence of headlight ECU	Without or With	Without: w/o Headlight ECU With: w/ Headlight ECU	-
Back Door System	Existence of power back door system	Without or With	Without: w/o Power Back Door System With: w/ Power Back Door System	-
Oil Pressure Switch	Engine oil pressure switch input	OFF or ON	OFF: Engine started ON: Engine not started	-
Oil Level Switch	Engine oil level sensor input	OFF or ON	OFF: Engine oil level not low ON: Engine oil level low	-
Coolant Temperature	Engine coolant temperature input	Min.: 0.0°C, Max.: 127.1°C or Unset	75 to 100°C: After warming up engine	-
Integrated value for Maintenance	Maintenance required reminder value	Min.: 0 miles, Max.: 25401 miles or Unset	Driving distance after performing maintenance required reminder reset procedure displayed	-
TPMS System	Existence of tire pressure warning system	Without or With	Without: w/o Tire Pressure Warning System With: w/ Tire Pressure Warning System	-
VSC System	Existence of electronically controlled	Without or With	Without: w/o Electronically Controlled Brake System	-

TESTER DISPLAY	MEASUREMENT ITEM	RANGE	NORMAL CONDITION	DIAGNOSTIC NOTE
	brake system		With: w/ Electronically Controlled Brake System	
LDA System	Existence of lane departure alert system	Without or With	Without: w/o Lane departure alert system Without: w/o Lane departure alert system	-
PCS System	Existence of pre-collision system	Without or With	Without: w/o Pre-collision System With: w/ Pre-collision System	-
ICS System	Existence of parking support brake system	Without or With	Without: w/o Parking Support Brake System With: w/ Parking Support Brake System	-
Radar Cruise System	Existence of dynamic radar cruise control system	Without or With	Without: w/o Dynamic Radar Cruise Control System With: w/ Dynamic Radar Cruise Control System	-
Intuitive P/A System	Existence of intuitive parking assist system	Without or With	Without: w/o Intuitive Parking Assist System With: w/ Intuitive Parking Assist System	-
Road Sign Assist System	Existence of road sign assist system	Without or With	Without: w/o Road Sign Assist System With: w/ Road Sign Assist System	-
HV/EV System Indicator	Hybrid system indicator value	Min.: -100%, Max.: 511% or Unset	Current hybrid system indicator status	If it is possible to customize the setting, the current setting is displayed.
ODO Display Time After IG OFF Adjust	Setting of trip result display time after the ignition switch is turned off	30s, 60s, 600s or OFF	-	If it is possible to customize the setting, the current setting is displayed.
Tail Remind Buzzer Function	Condition of the tail remind buzzer	OFF or ON	Customized setting displayed	-

TESTER DISPLAY	MEASUREMENT ITEM	RANGE	NORMAL CONDITION	DIAGNOSTIC NOTE
Lane Change Flashing Times Adjust	Setting of lane change flashing time adjustment	OFF, 3, 4, 5, 6 or 7	Customized setting displayed	-
Flasher Sound Volume Adjust	Setting of flasher sound volume adjustment	Large, Medium or Small	-	If it is possible to customize the setting, the current setting is displayed.
Sub Fuel Sender	No. 2 fuel sender gauge assembly	Without or With	Without: w/o No. 2 Fuel Sender Gauge Assembly With: w/ No. 2 Fuel Sender Gauge Assembly	-
FCTA System	Existence of FCTA function	Without or With	Without: w/o FCTA function With: w/ FCTA function	-
Navigation System	Existence of navigation system	Without or With	Without: w/o Navigation System With: w/ Navigation System	-

*: For the tolerance of each meter, refer to Operation Check.

Click here [INFO](#)

(2) Main Body

Body Electrical > Main Body > Data List

TESTER DISPLAY	MEASUREMENT ITEM	RANGE	NORMAL CONDITION	DIAGNOSTIC NOTE
Support Service Function	Setting of Suggestion Service	OFF, Parked or ON	-	If it is possible to customize the setting, the current setting is displayed.

ACTIVE TEST

HINT:

Using the GTS to perform Active Tests allows relays, VSUs, actuators and other items to be operated without removing any parts. This non-intrusive functional inspection can be very useful because intermittent operation may be discovered before parts or wiring is disturbed. Performing Active Tests early in troubleshooting is one way to save diagnostic time. Data List information can be displayed while performing Active Tests.

(a) Perform the Active Test according the display on the GTS.

HINT:

Depending on the specifications of the vehicle, some items may not be displayed.

Body Electrical > Combination Meter > Active Test

TESTER DISPLAY	MEASUREMENT ITEM	CONTROL RANGE	DIAGNOSTIC NOTE
Fuel Gauge Operation (Sender E)	Fuel receiver gauge (Fuel sender gauge lower limit)	ON	See [Display 1]
Fuel Gauge Operation (Empty)	Fuel receiver gauge (Fuel receiver gauge indicates E)	ON	See [Display 1]
Fuel Gauge Operation (Warning)	Fuel receiver gauge (Position at which fuel level warning light turns on/off)	ON	See [Display 1]
Fuel Gauge Operation (1/4)	Fuel receiver gauge (Fuel receiver gauge indicates 1/4)	ON	See [Display 1]
Fuel Gauge Operation (1/2)	Fuel receiver gauge (Fuel receiver gauge indicates 1/2)	ON	See [Display 1]
Fuel Gauge Operation (3/4)	Fuel receiver gauge (Fuel receiver gauge indicates 3/4)	ON	See [Display 1]
Fuel Gauge Operation (Full)	Fuel receiver gauge (Fuel receiver gauge indicates F)	ON	See [Display 1]
Fuel Gauge Operation (Sender F)	Fuel receiver gauge (Fuel sender gauge upper limit)	ON	See [Display 1]
SOC Gauge (MIN)	SOC gauge (SOC gauge indicates lower limit)	ON	-
SOC Gauge (1/4)	SOC gauge (SOC gauge indicates 1/4)	ON	-
SOC Gauge (1/2)	SOC gauge (SOC gauge indicates 1/2)	ON	-

TESTER DISPLAY	MEASUREMENT ITEM	CONTROL RANGE	DIAGNOSTIC NOTE
SOC Gauge (3/4)	SOC gauge (SOC gauge indicates 3/4)	ON	-
SOC Gauge (MAX)	SOC gauge (SOC gauge indicates upper limit)	ON	-
Multi Display All (White)	Multi-information display (White color display)	ON	-
Multi Display Default Screen	Multi-information display (Default screen)	ON	-
High Beam Indicator	High beam indicator light	OFF or ON	-
Taillamp Indicator	Tail indicator light	OFF or ON	-
Rear Fog Lamp Indicator	Rear fog indicator light	OFF or ON	-
Automatic High Beam Indicator (Green)	Automatic high beam/adaptive high beam indicator light	OFF or ON	-
Left Turn Signal Indicator	Turn indicator light (LH side)	OFF or ON	-
Right Turn Signal Indicator	Turn indicator light (RH side)	OFF or ON	-
Driver Side Seat Belt Warning	Driver or front passenger seat belt warning light	OFF or ON	-

TESTER DISPLAY	MEASUREMENT ITEM	CONTROL RANGE	DIAGNOSTIC NOTE
Airbag Warning	SRS warning light	OFF or ON	-
Coolant Hot Warning Lamp	Engine coolant temperature hot warning light	OFF or ON	-
Check Engine Warning	MIL (Check engine warning light)	OFF or ON	-
Brake Warning	Brake warning light / red (malfunction)	OFF or ON	-
Park Warning	Parking brake indicator light	OFF or ON	-
ABS Warning	ABS warning light	OFF or ON	-
ECB Warning	Brake warning light / yellow (minor malfunction)	OFF or ON	-
Slip Warning	Slip indicator light	OFF or ON	-
VSC OFF Indicator	VSC OFF indicator light	OFF or ON	-
Brake Hold Indicator	Brake hold standby indicator light	OFF or ON	-
Hold Indicator	Brake hold operated indicator light	OFF or ON	-
Tire Pressure Warning System Indicator	Tire pressure warning light	OFF or ON	-
EPS Warning	EPS warning light (Red)	OFF or ON	-
PPS Warning	EPS warning light (Amber)	OFF or ON	-

TESTER DISPLAY	MEASUREMENT ITEM	CONTROL RANGE	DIAGNOSTIC NOTE
PCS OFF Warning	PCS warning light	OFF or ON	-
INTUITIVE P/A LCD OFF Indicator	Clearance sonar LCD OFF indicator light	OFF or ON	-
Ready Indicator	Ready indicator light	OFF or ON	-
Charge Warning (Red)	Charge warning light (Red)	OFF or ON	-
ADAS Integrated Warning	Driving assist information indicator light	OFF or ON	-
Plus Support Indicator	Plus Support indicator light	OFF or ON	-
Speed Signal Input (0)	Vehicle speed test signal input	ON	When this Active Test is performed, an actual vehicle speed signal is sent via CAN communication to the combination meter assembly to operate the speedometer. The seat belt warning buzzer, etc. may operate when performing this Active Test.
Speed Signal Input (40)	Vehicle speed test signal input	ON	<ul style="list-style-type: none"> When this Active Test is performed, an actual vehicle speed signal is sent via CAN communication to the combination meter assembly to operate the speedometer. The seat belt warning buzzer, etc. may operate when performing this Active Test. The value displayed on the speedometer may deviate.*
Speed Signal Input (80)	Vehicle speed test signal input	ON	<ul style="list-style-type: none"> When this Active Test is performed, an actual vehicle speed signal is sent via CAN communication to the combination meter assembly to operate the speedometer. The seat belt warning buzzer, etc. may operate when performing this Active Test. The value displayed on the speedometer may deviate.*

TESTER DISPLAY	MEASUREMENT ITEM	CONTROL RANGE	DIAGNOSTIC NOTE
Speed Signal Input (120)	Vehicle speed test signal input	ON	<ul style="list-style-type: none"> When this Active Test is performed, an actual vehicle speed signal is sent via CAN communication to the combination meter assembly to operate the speedometer. The seat belt warning buzzer, etc. may operate when performing this Active Test. The value displayed on the speedometer may deviate.*
Speed Signal Input (160)	Vehicle speed test signal input	ON	<ul style="list-style-type: none"> When this Active Test is performed, an actual vehicle speed signal is sent via CAN communication to the combination meter assembly to operate the speedometer. The seat belt warning buzzer, etc. may operate when performing this Active Test. for Speedometer Unit km/h Type: The value displayed on the speedometer may deviate.* for Speedometer Unit MPH Type: The value displayed on the speedometer may deviate.
Speed Signal Input (200)	Vehicle speed test signal input	ON	<ul style="list-style-type: none"> When this Active Test is performed, an actual vehicle speed signal is sent via CAN communication to the combination meter assembly to operate the speedometer. The seat belt warning buzzer, etc. may operate when performing this Active Test. for Speedometer Unit km/h Type: The value displayed on the speedometer may deviate.* for Speedometer Unit MPH Type: When the value of the Active Test is more than or equal to the speedometer upper limit, the indicated speed stops at the upper limit.
Speed Signal Input (240)	Vehicle speed test signal input	ON	<ul style="list-style-type: none"> When this Active Test is performed, an actual vehicle speed signal is sent via CAN communication to the combination meter assembly to operate the speedometer. The seat belt warning buzzer, etc. may operate when performing this Active Test. for Speedometer Unit km/h Type: The value displayed on the speedometer may deviate.* for Speedometer Unit MPH Type: When the value of the Active Test is more than or equal to the speedometer upper

TESTER DISPLAY	MEASUREMENT ITEM	CONTROL RANGE	DIAGNOSTIC NOTE
			limit, the indicated speed stops at the upper limit.
Speed Signal Input (280)	Vehicle speed test signal input	ON	<ul style="list-style-type: none"> When this Active Test is performed, an actual vehicle speed signal is sent via CAN communication to the combination meter assembly to operate the speedometer. The seat belt warning buzzer, etc. may operate when performing this Active Test. When the value of the Active Test is more than or equal to the speedometer upper limit, the indicated speed stops at the upper limit.
Speed Signal Input (320)	Vehicle speed test signal input	ON	<ul style="list-style-type: none"> When this Active Test is performed, an actual vehicle speed signal is sent via CAN communication to the combination meter assembly to operate the speedometer. The seat belt warning buzzer, etc. may operate when performing this Active Test. When the value of the Active Test is more than or equal to the speedometer upper limit, the indicated speed stops at the upper limit.
Speed Signal Input (360)	Vehicle speed test signal input	ON	<ul style="list-style-type: none"> When this Active Test is performed, an actual vehicle speed signal is sent via CAN communication to the combination meter assembly to operate the speedometer. The seat belt warning buzzer, etc. may operate when performing this Active Test. When the value of the Active Test is more than or equal to the speedometer upper limit, the indicated speed stops at the upper limit.
Speed Signal Input (400)	Vehicle speed test signal input	ON	<ul style="list-style-type: none"> When this Active Test is performed, an actual vehicle speed signal is sent via CAN communication to the combination meter assembly to operate the speedometer. The seat belt warning buzzer, etc. may operate when performing this Active Test. When the value of the Active Test is more than or equal to the speedometer upper limit, the indicated speed stops at the upper limit.

TESTER DISPLAY	MEASUREMENT ITEM	CONTROL RANGE	DIAGNOSTIC NOTE
ODO/TRIP Change Switch	Performs the same operation as pressing the ODO/TRIP switch	OFF or ON	-
Light Control Switch (UP)	Performs the same operation as pressing the light control rheostat up switch	OFF or ON	-
Light Control Switch (DOWN)	Performs the same operation as pressing the light control rheostat down switch	OFF or ON	-
Multi Switch (Up)	Performs the same operation as pressing the up switch on steering pad switch	OFF or ON	-
Multi Switch (Down)	Performs the same operation as pressing the down switch on steering pad switch		-
Multi Switch (Left)	Performs the same operation as pressing the left switch on steering pad switch	OFF or ON	-
Multi Switch (Right)	Performs the same operation as pressing the right switch on steering pad switch	OFF or ON	-
Multi Switch (Enter)	Performs the same operation as pressing the OK switch on steering pad switch	OFF or ON	-
Multi Switch (Back)	Performs the same operation as pressing the back switch on steering pad switch	OFF or ON	-
Intuitive P/A Front Buzzer (Short)	Clearance warning buzzer <ul style="list-style-type: none"> • Detection direction: Front • Detection range: Near 	ON	-
Intuitive P/A Front Buzzer	Clearance warning buzzer	ON	-

TESTER DISPLAY	MEASUREMENT ITEM	CONTROL RANGE	DIAGNOSTIC NOTE
(Middle)	<ul style="list-style-type: none"> Detection direction: Front Detection range: Middle 		
Intuitive P/A Front Buzzer (Far)	Clearance warning buzzer <ul style="list-style-type: none"> Detection direction: Front Detection range: Far 	ON	-
Intuitive P/A Front Buzzer (Farthest)	Clearance warning buzzer <ul style="list-style-type: none"> Detection direction: Front Detection range: Farthest 	ON	-
Intuitive P/A Rear Buzzer (Short)	Clearance warning buzzer <ul style="list-style-type: none"> Detection direction: Rear Detection range: Near 	ON	-
Intuitive P/A Rear Buzzer (Middle)	Clearance warning buzzer <ul style="list-style-type: none"> Detection direction: Rear Detection range: Middle 	ON	-
Intuitive P/A Rear Buzzer (Far)	Clearance warning buzzer <ul style="list-style-type: none"> Detection direction: Rear Detection range: Far 	ON	-
Intuitive P/A Rear Buzzer (Farthest)	Clearance warning buzzer <ul style="list-style-type: none"> Detection direction: Rear Detection range: Farthest 	ON	-

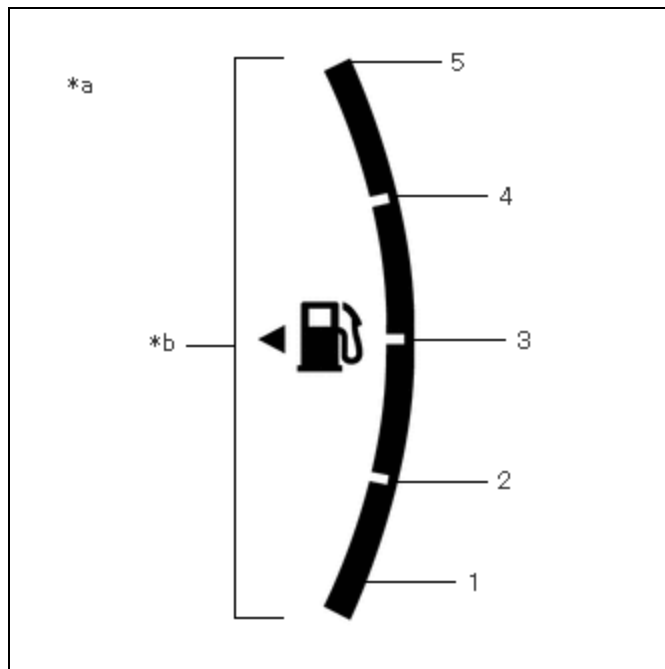
TESTER DISPLAY	MEASUREMENT ITEM	CONTROL RANGE	DIAGNOSTIC NOTE
Intuitive P/A Front/Rear Buzzer (Short)	Clearance warning buzzer <ul style="list-style-type: none"> Detection direction: Front/Rear Detection range: Near 	ON	-
Intuitive P/A Front/Rear Buzzer (Middle)	Clearance warning buzzer <ul style="list-style-type: none"> Detection direction: Front/Rear Detection range: Middle 	ON	-
Intuitive P/A Front/Rear Buzzer (Far)	Clearance warning buzzer <ul style="list-style-type: none"> Detection direction: Front/Rear Detection range: Far 	ON	-
Intuitive P/A Front/Rear Buzzer (Farthest)	Clearance warning buzzer <ul style="list-style-type: none"> Detection direction: Front/Rear Detection range: Farthest 	ON	-

*: For the tolerance of each meter, refer to Operation Check.

Click here [INFO](#)

HINT:

[Display 1]: Fuel Gauge Operation



*a	Fuel Receiver Gauge
*b	Segments

Refer to the following table for the specified fuel receiver gauge position for each selected value:

TESTER DISPLAY	FUEL RECEIVER GAUGE INDICATION
Fuel Gauge Operation (Sender E)	Not indicated
Fuel Gauge Operation (Empty)	Not indicated
Fuel Gauge Operation (Warning)	Approximately 1 is indicated
Fuel Gauge Operation (1/4)	Approximately 2 is indicated
Fuel Gauge Operation (1/2)	Approximately 3 is indicated
Fuel Gauge Operation (3/4)	Approximately 4 is indicated
Fuel Gauge Operation (Full)	Approximately 5 is indicated
Fuel Gauge Operation (Sender F)	Approximately 5 is indicated

