

Last Modified: 12-04-2024	6.11:8.1.0	Doc ID: RM10000002AA2E
Model Year Start: 2023	Model: Prius Prime	Prod Date Range: [12/2022 -]
Title: METER / GAUGE / DISPLAY: METER / GAUGE SYSTEM: B150819; Turn Signal/Hazard Flasher Circuit Current Above Threshold; 2023 - 2024 MY Prius Prius Prime [12/2022 -]		

DTC	B150819	Turn Signal/Hazard Flasher Circuit Current Above Threshold
------------	----------------	---

DESCRIPTION

This DTC is stored when the combination meter assembly detects a short in a turn signal light circuit.

HINT:

If there is a short in a turn signal light circuit, the turn signal lights on the side with the short circuit will blink faster than usual.

DTC NO.	DETECTION ITEM	DTC DETECTION CONDITION	TROUBLE AREA	DTC OUTPUT FROM	PRIORITY
B150819	Turn Signal/Hazard Flasher Circuit Current Above Threshold	<p>Diagnosis Condition:</p> <p>Auxiliary battery voltage is 10 V or more</p> <p>Malfunction Status:</p> <p>Short in turn signal light circuit</p>	<ul style="list-style-type: none"> • Headlight assembly*A • Rear combination light assembly • Outer rear view mirror assembly*B • Harness or connector • Combination meter assembly 	Combination Meter	A

*A: Refer to the following tables to identify headlight assembly component names.

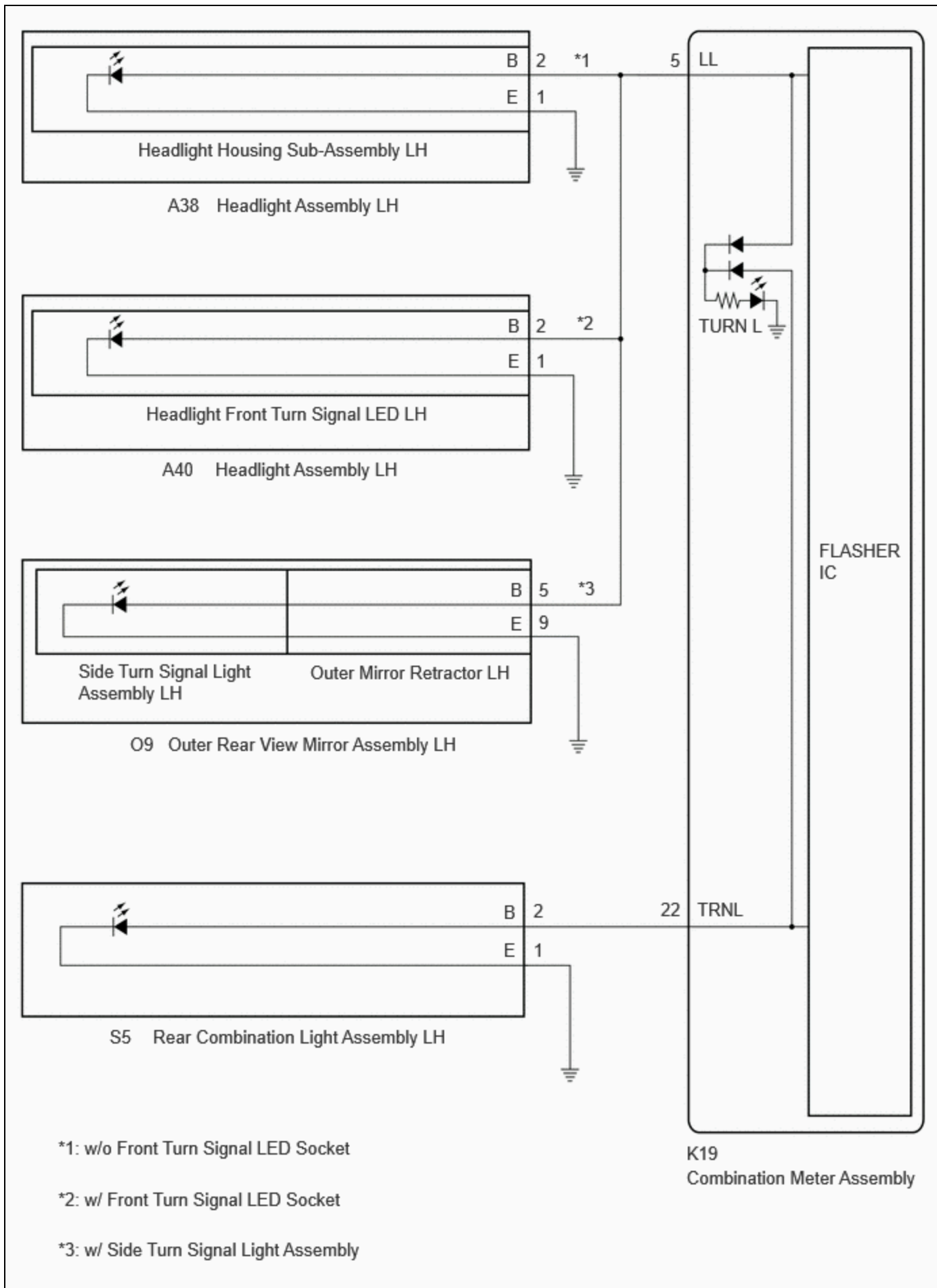
COMPONENT
Headlight Housing Sub-Assembly*1
Headlight Front Turn Signal LED*2
*1: w/o Front Turn Signal LED Socket
*2: w/ Front Turn Signal LED Socket

*B: Refer to the following tables to identify outer rear view mirror assembly component names.

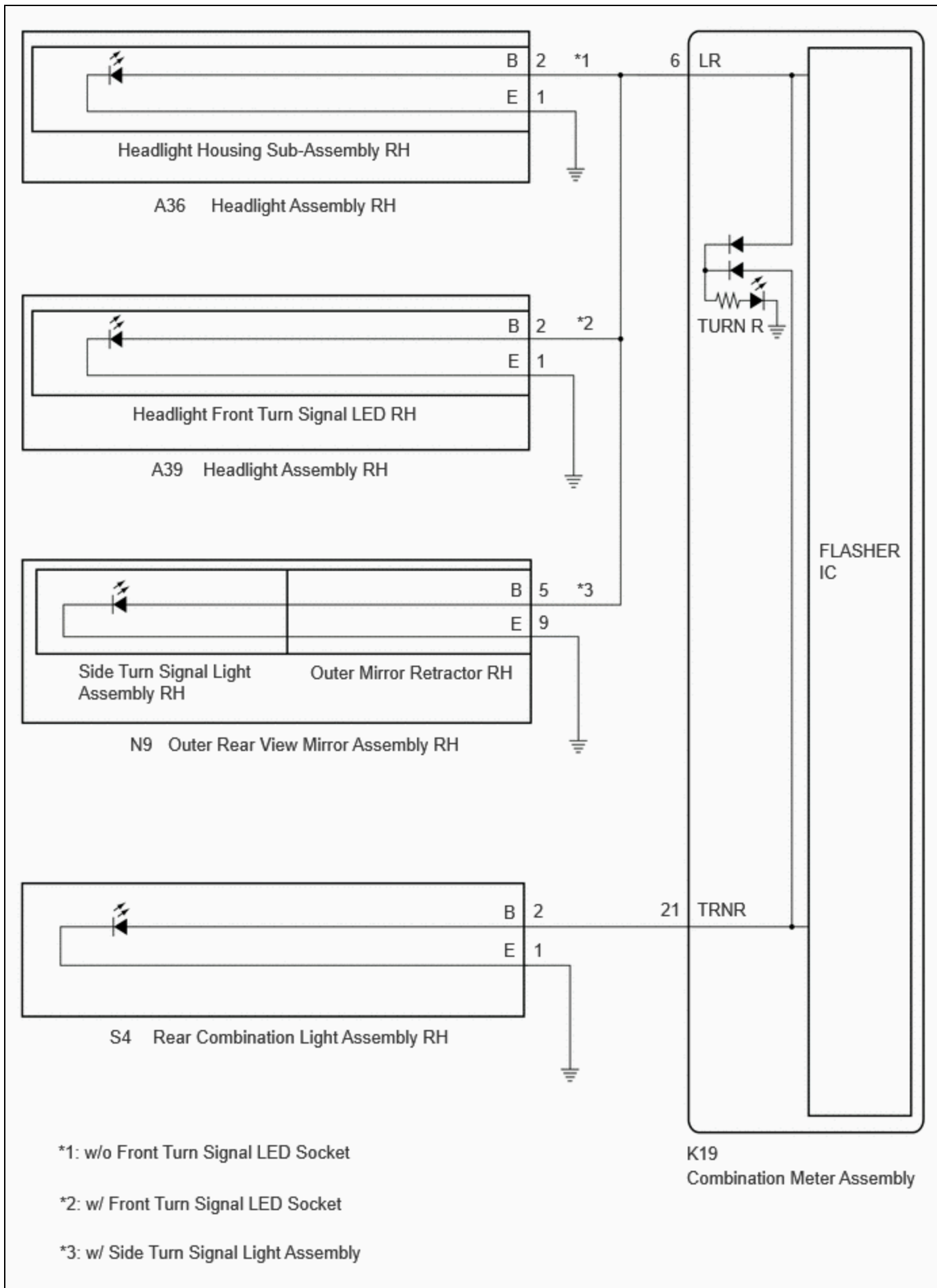
COMPONENT
Outer mirror retractor
Side turn signal light assembly

WIRING DIAGRAM

LH Side:



RH Side:



CAUTION / NOTICE / HINT

NOTICE:

- When replacing any of the following ECUs, always replace it with a new one. If any of the following ECUs is replaced with one which was installed to another vehicle, the information stored in it will not match the information from the vehicle and a DTC may be stored.
 - Combination meter assembly
- When replacing the combination meter assembly, update the ECU security key.
 - [Click here](#) INFO
- Inspect the turn signal light bulbs before performing the following procedure.

PROCEDURE

1.	CHECK SYMPTOMS
-----------	-----------------------

(a) Operate the turn signal switch and check the problem symptoms.

RESULT	PROCEED TO
Front turn signal light (LH side) does not blink	A
Rear turn signal light (LH side) does not blink	B
Front turn signal light (RH side) does not blink	C
Rear turn signal light (RH side) does not blink	D

B ► **GO TO STEP 11**

C ► **GO TO STEP 13**

D ► **GO TO STEP 22**

A
▼

2.	CONFIRM MODEL
-----------	----------------------

(a) Choose the model to be inspected.

RESULT	PROCEED TO
w/ Side Turn Signal Light Assembly	A
w/o Side Turn Signal Light Assembly	B

B ► **GO TO STEP 7**

A
▼

3.	CHECK LH SIDE TURN SIGNAL LIGHTS (FRONT TURN SIGNAL LIGHT CIRCUIT)
-----------	---

Pre-procedure1

(a) Disconnect the A40 headlight assembly LH connector.

Procedure1

(b) Operate the turn signal switch and check that the LH side turn signal lights other than the front turn signal light blink.

HINT:

If the LH side turn signal lights other than the front turn signal light blink, the headlight front turn signal LED LH is malfunctioning.

RESULT	PROCEED TO
LH side turn signal lights other than the front turn signal light blink	A
Problem symptoms do not change (All LH side turn signal lights do not blink)	B

Post-procedure1

(c) None

A ► **REPLACE HEADLIGHT FRONT TURN SIGNAL LED LH**

B
▼

4.	CHECK TURN SIGNAL LIGHT (OUTER REAR VIEW MIRROR ASSEMBLY LH)
-----------	---

Pre-procedure1

(a) Remove the outer rear view mirror assembly LH.

HINT:

[Click here](#) 

(b) Remove the outer rear view mirror assembly RH.

HINT:

[Click here](#) 

(c) Interchange the outer rear view mirror assembly LH with RH and connect the connectors.

Procedure1

(d) Check the front/side turn signal light (LH side) operates normally.

NOTICE:

If the front/side turn signal light (LH side) operates normally, return the outer rear view mirror assembly LH and outer rear view mirror assembly RH that were interchanged in a previous step back to their original conditions so that a component of the outer rear view mirror assembly LH can be inspected in the next step.

RESULT	PROCEED TO
Problem symptoms do not change (Front/side turn signal light (LH side) does not blink)	A
Front/side turn signal light (LH side) operates normally	B

Post-procedure1

(e) None

B  **GO TO STEP 6**

A



5.	CHECK HARNESS AND CONNECTOR (LH SIDE (ALL PARTS) - COMBINATION METER ASSEMBLY)
-----------	---

Pre-procedure1

(a) Disconnect the A40 headlight assembly LH connector.

(b) Disconnect the O9 outer rear view mirror assembly LH connector.

(c) Disconnect the K19 combination meter assembly connector.

Procedure1

(d) Measure the resistance according to the value(s) in the table below.

Standard Resistance:



[Click Location & Routing\(A40,O9,K19\).](#)

[Click Connector\(A40\).](#)

[Click Connector\(O9\).](#)

[Click Connector\(K19\).](#)

TESTER CONNECTION	CONDITION	SPECIFIED CONDITION	RESULT
A40-2 (B), O9-5 (B) or K19-5 (LL) - Body ground	Always	10 kΩ or higher	kΩ

Post-procedure1

(e) None

OK ► REPLACE COMBINATION METER ASSEMBLY

NG ► REPAIR OR REPLACE HARNESS OR CONNECTOR

6.	CHECK TURN SIGNAL LIGHT (SIDE TURN SIGNAL LIGHT ASSEMBLY LH)
-----------	---

Pre-procedure1

(a) Remove the side turn signal light assembly LH from the outer rear view mirror assembly LH.

HINT:

[Click here](#) INFO

(b) Remove the side turn signal light assembly RH from the outer rear view mirror assembly RH.

HINT:

[Click here](#) INFO

(c) Interchange the side turn signal light assembly LH with RH and connect the connectors.

Procedure1

(d) Check the front/side turn signal light (LH side) operates normally.

RESULT	PROCEED TO
Front/side turn signal light (LH side) operates normally	A
Front/side turn signal light (LH side) does not blink	B

Post-procedure1

(e) None

A ► REPLACE SIDE TURN SIGNAL LIGHT ASSEMBLY LH

B ▶ REPLACE OUTER MIRROR RETRACTOR LH

7. CONFIRM MODEL

(a) Choose the model to be inspected.

RESULT	PROCEED TO
w/o Front Turn Signal LED Socket	A
w/ Front Turn Signal LED Socket	B

B ▶ GO TO STEP 9

A



8. CHECK LH SIDE TURN SIGNAL LIGHTS (FRONT TURN SIGNAL LIGHT CIRCUIT)

Pre-procedure1

(a) Disconnect the A38 headlight assembly LH connector.

Procedure1

(b) Operate the turn signal switch and check that the LH side turn signal lights other than the front turn signal light blink.

HINT:

If the LH side turn signal lights other than the front turn signal light blink, the headlight housing sub-assembly LH is malfunctioning.

RESULT	PROCEED TO
LH side turn signal lights other than the front turn signal light blink	A
Problem symptoms do not change (All LH side turn signal lights do not blink)	B

Post-procedure1

(c) None

A ▶ REPLACE HEADLIGHT HOUSING SUB-ASSEMBLY LH

B ▶ GO TO STEP 10

9.	CHECK LH SIDE TURN SIGNAL LIGHTS (FRONT TURN SIGNAL LIGHT CIRCUIT)
-----------	---

Pre-procedure1

(a) Disconnect the A40 headlight assembly LH connector.

Procedure1

(b) Operate the turn signal switch and check that the LH side turn signal lights other than the front turn signal light blink.

HINT:

If the LH side turn signal lights other than the front turn signal light blink, the headlight front turn signal LED LH is malfunctioning.

RESULT	PROCEED TO
LH side turn signal lights other than the front turn signal light blink	A
Problem symptoms do not change (All LH side turn signal lights do not blink)	B

Post-procedure1

(c) None

A ► **REPLACE HEADLIGHT FRONT TURN SIGNAL LED LH**

B



10.	CHECK HARNESS AND CONNECTOR (LH SIDE (ALL PARTS)) - COMBINATION METER ASSEMBLY)
------------	--

Pre-procedure1

(a) Disconnect the A38 headlight assembly LH connector.*1

(b) Disconnect the A40 headlight assembly LH connector.*2

(c) Disconnect the O9 outer rear view mirror assembly LH connector.

(d) Disconnect the K19 combination meter assembly connector.

Procedure1

(e) Measure the resistance according to the value(s) in the table below.

Standard Resistance:



[Click Location & Routing\(A38,A40,O9,K19\)](#)

[Click Connector\(A38\)](#)

[Click Connector\(A40\)](#)

[Click Connector\(O9\)](#)

[Click Connector\(K19\)](#)

TESTER CONNECTION	CONDITION	SPECIFIED CONDITION	RESULT
A38-2 (B)*1, A40-2 (B)*2, O9-5 (B) or K19-5 (LL) - Body ground	Always	10 kΩ or higher	kΩ

*1: w/o Front Turn Signal LED Socket

*2: w/ Front Turn Signal LED Socket

Post-procedure1

(f) None

OK ► REPLACE COMBINATION METER ASSEMBLY

NG ► REPAIR OR REPLACE HARNESS OR CONNECTOR

11.	CHECK TURN SIGNAL LIGHT (REAR COMBINATION LIGHT ASSEMBLY LH)
------------	---

Pre-procedure1

(a) Remove the rear combination light assembly LH.

HINT:

[Click here](#) INFO

(b) Remove the rear combination light assembly RH.

HINT:

[Click here](#) INFO

Procedure1

(c) Interchange the rear combination light assembly LH with RH and connect the connectors.

(d) Check the rear turn signal light (LH side) operates normally.

RESULT	PROCEED TO
Problem symptoms do not change (Rear turn signal light (LH side) does not blink)	A
Rear turn signal light (LH side) operates normally	B

Post-procedure1

(e) None

B ▶ REPLACE REAR COMBINATION LIGHT ASSEMBLY LH

A
▼

12.	CHECK HARNESS AND CONNECTOR (REAR TURN SIGNAL LIGHT (LH SIDE) - COMBINATION METER ASSEMBLY)
------------	--

Pre-procedure1

- (a) Disconnect the S5 rear combination light assembly LH connector.
- (b) Disconnect the K19 combination meter assembly connector.

Procedure1

- (c) Measure the resistance according to the value(s) in the table below.

Standard Resistance:



[Click Location & Routing\(S5,K19\)](#)

[Click Connector\(S5\)](#)

[Click Connector\(K19\)](#)

TESTER CONNECTION	CONDITION	SPECIFIED CONDITION	RESULT
S5-2 (B) or K19-22 (TRNL) - Body ground	Always	10 kΩ or higher	kΩ

Post-procedure1

- (d) None

OK ▶ REPLACE COMBINATION METER ASSEMBLY

NG ▶ REPAIR OR REPLACE HARNESS OR CONNECTOR

13.	CONFIRM MODEL
------------	----------------------

- (a) Choose the model to be inspected.

RESULT	PROCEED TO
w/ Side Turn Signal Light Assembly	A
w/o Side Turn Signal Light Assembly	B

B  **GO TO STEP 18**

A



14.	CHECK RH SIDE TURN SIGNAL LIGHTS (FRONT TURN SIGNAL LIGHT CIRCUIT)
------------	---

Pre-procedure1

(a) Disconnect the A39 headlight assembly RH connector.

Procedure1

(b) Operate the turn signal switch and check that the RH side turn signal lights other than the front turn signal light blink.

HINT:

If the RH side turn signal lights other than the front turn signal light blink, the headlight front turn signal LED RH is malfunctioning.

RESULT	PROCEED TO
RH side turn signal lights other than the front turn signal light blink	A
Problem symptoms do not change (All RH side turn signal lights do not blink)	B

Post-procedure1

(c) None

A  **REPLACE HEADLIGHT FRONT TURN SIGNAL LED RH**

B



15.	CHECK TURN SIGNAL LIGHT (OUTER REAR VIEW MIRROR ASSEMBLY RH)
------------	---

Pre-procedure1

(a) Remove the outer rear view mirror assembly RH.

HINT:

[Click here](#) 

(b) Remove the outer rear view mirror assembly LH.

HINT:

[Click here](#) **INFO**

(c) Interchange the outer rear view mirror assembly RH with LH and connect the connectors.

Procedure1

(d) Check the front/side turn signal light (RH side) operates normally.

NOTICE:

If the front/side turn signal light (RH side) operates normally, return the outer rear view mirror assembly RH and outer rear view mirror assembly RH that were interchanged in a previous step back to their original conditions so that a component of the outer rear view mirror assembly RH can be inspected in the next step.

RESULT	PROCEED TO
Problem symptoms do not change (Front/side turn signal light (RH side) does not blink)	A
Front/side turn signal light (RH side) operates normally	B

Post-procedure1

(e) None

B  **GO TO STEP 17**

A


16.	CHECK HARNESS AND CONNECTOR (RH SIDE (ALL PARTS)) - COMBINATION METER ASSEMBLY)
------------	--

Pre-procedure1

(a) Disconnect the A39 headlight assembly RH connector.

(b) Disconnect the N9 outer rear view mirror assembly RH connector.

(c) Disconnect the K19 combination meter assembly connector.

Procedure1

(d) Measure the resistance according to the value(s) in the table below.

Standard Resistance:



[Click Location & Routing\(A39,N9,K19\)](#)

[Click Connector\(A39\)](#)

[Click Connector\(N9\)](#)

[Click Connector\(K19\)](#)

TESTER CONNECTION	CONDITION	SPECIFIED CONDITION	RESULT
A39-2 (B), N9-5 (B) or K19-6 (LR) - Body ground	Always	10 kΩ or higher	kΩ

Post-procedure1

(e) None

OK ► REPLACE COMBINATION METER ASSEMBLY

NG ► REPAIR OR REPLACE HARNESS OR CONNECTOR

17. CHECK TURN SIGNAL LIGHT (SIDE TURN SIGNAL LIGHT ASSEMBLY RH)

Pre-procedure1

(a) Remove the side turn signal light assembly RH from the outer rear view mirror assembly RH.

HINT:

[Click here](#) **INFO**

(b) Remove the side turn signal light assembly LH from the outer rear view mirror assembly LH.

HINT:

[Click here](#) **INFO**

(c) Interchange the side turn signal light assembly RH with LH and connect the connectors.

Procedure1

(d) Check the front/side turn signal light (RH side) operates normally.

RESULT	PROCEED TO
Front/side turn signal light (RH side) operates normally	A
Front/side turn signal light (RH side) does not blink	B

Post-procedure1

(e) None

A ► REPLACE SIDE TURN SIGNAL LIGHT ASSEMBLY RH

B ► REPLACE OUTER MIRROR RETRACTOR RH

18. CONFIRM MODEL

(a) Choose the model to be inspected.

RESULT	PROCEED TO
w/o Front Turn Signal LED Socket	A
w/ Front Turn Signal LED Socket	B

B ► **GO TO STEP 20**

A



19.	CHECK RH SIDE TURN SIGNAL LIGHTS (FRONT TURN SIGNAL LIGHT CIRCUIT)
------------	---

Pre-procedure1

(a) Disconnect the A36 headlight assembly RH connector.

Procedure1

(b) Operate the turn signal switch and check that the RH side turn signal lights other than the front turn signal light blink.

HINT:

If the RH side turn signal lights other than the front turn signal light blink, the headlight housing sub-assembly RH is malfunctioning.

RESULT	PROCEED TO
RH side turn signal lights other than the front turn signal light blink	A
Problem symptoms do not change (All RH side turn signal lights do not blink)	B

Post-procedure1

(c) None

A ► **REPLACE HEADLIGHT HOUSING SUB-ASSEMBLY RH**

B ► **GO TO STEP 21**

20.	CHECK RH SIDE TURN SIGNAL LIGHTS (FRONT TURN SIGNAL LIGHT CIRCUIT)
------------	---

Pre-procedure1

(a) Disconnect the A39 headlight assembly RH connector.

Procedure1

- (b) Operate the turn signal switch and check that the RH side turn signal lights other than the front turn signal light blink.

HINT:

If the RH side turn signal lights other than the front turn signal light blink, the headlight front turn signal LED RH is malfunctioning.

RESULT	PROCEED TO
RH side turn signal lights other than the front turn signal light blink	A
Problem symptoms do not change (All RH side turn signal lights do not blink)	B

Post-procedure1

- (c) None

A ► **REPLACE HEADLIGHT FRONT TURN SIGNAL LED RH**

B



21.	CHECK HARNESS AND CONNECTOR (RH SIDE (ALL PARTS)) - COMBINATION METER ASSEMBLY)
------------	--

Pre-procedure1

- (a) Disconnect the A36 headlight assembly RH connector.*1
 (b) Disconnect the A39 headlight assembly RH connector.*2
 (c) Disconnect the N9 outer rear view mirror assembly RH connector.
 (d) Disconnect the K19 combination meter assembly connector.

Procedure1

- (e) Measure the resistance according to the value(s) in the table below.

Standard Resistance:



[Click Location & Routing\(A36,A39,N9,K19\)](#)

[Click Connector\(A36\)](#)

[Click Connector\(A39\)](#)

[Click Connector\(N9\)](#)

[Click Connector\(K19\)](#)

TESTER CONNECTION	CONDITION	SPECIFIED CONDITION	RESULT
A36-2 (B)*1, A39-2 (B)*2, N9-5 (B) or K19-6 (LR) - Body ground	Always	10 kΩ or higher	kΩ

*1: w/o Front Turn Signal LED Socket

*2: w/ Front Turn Signal LED Socket

Post-procedure1

(f) None

OK  **REPLACE COMBINATION METER ASSEMBLY**

NG  **REPAIR OR REPLACE HARNESS OR CONNECTOR**

22.	CHECK TURN SIGNAL LIGHT (REAR COMBINATION LIGHT ASSEMBLY RH)
------------	---

Pre-procedure1

(a) Remove the rear combination light assembly RH.

HINT:

[Click here](#) 

(b) Remove the rear combination light assembly LH.

HINT:

[Click here](#) 

Procedure1

(c) Interchange the rear combination light assembly RH with LH and connect the connectors.

(d) Check the rear turn signal light (RH side) operates normally.

RESULT	PROCEED TO
Problem symptoms do not change (Rear turn signal light (RH side) does not blink)	A
Rear turn signal light (RH side) operates normally	B

Post-procedure1

(e) None

B  **REPLACE REAR COMBINATION LIGHT ASSEMBLY RH**

A


23.**CHECK HARNESS AND CONNECTOR (REAR TURN SIGNAL LIGHT (RH SIDE) - COMBINATION METER ASSEMBLY)**

Pre-procedure1

- (a) Disconnect the S4 rear combination light assembly RH connector.
- (b) Disconnect the K19 combination meter assembly connector.

Procedure1

- (c) Measure the resistance according to the value(s) in the table below.

Standard Resistance:


[Click Location & Routing\(S4,K19\)](#)
[Click Connector\(S4\)](#)
[Click Connector\(K19\)](#)

TESTER CONNECTION	CONDITION	SPECIFIED CONDITION	RESULT
S4-2 (B) or K19-21 (TRNR) - Body ground	Always	10 kΩ or higher	kΩ

Post-procedure1

- (d) None

OK ► **REPLACE COMBINATION METER ASSEMBLY**
NG ► **REPAIR OR REPLACE HARNESS OR CONNECTOR**
