

Last Modified: 12-04-2024	6.11:8.1.0	Doc ID: RM1000000029ZQ2
Model Year Start: 2023	Model: Prius Prime	Prod Date Range: [12/2022 -]
Title: LIGHTING (INT): VANITY LIGHT SWITCH: INSPECTION; 2023 - 2024 MY Prius Prius Prime [12/2022 -]		

INSPECTION

PROCEDURE

1. INSPECT VANITY LIGHT SWITCH LH (VISOR ASSEMBLY LH)

(a) Measure the resistance according to the value(s) in the table below.

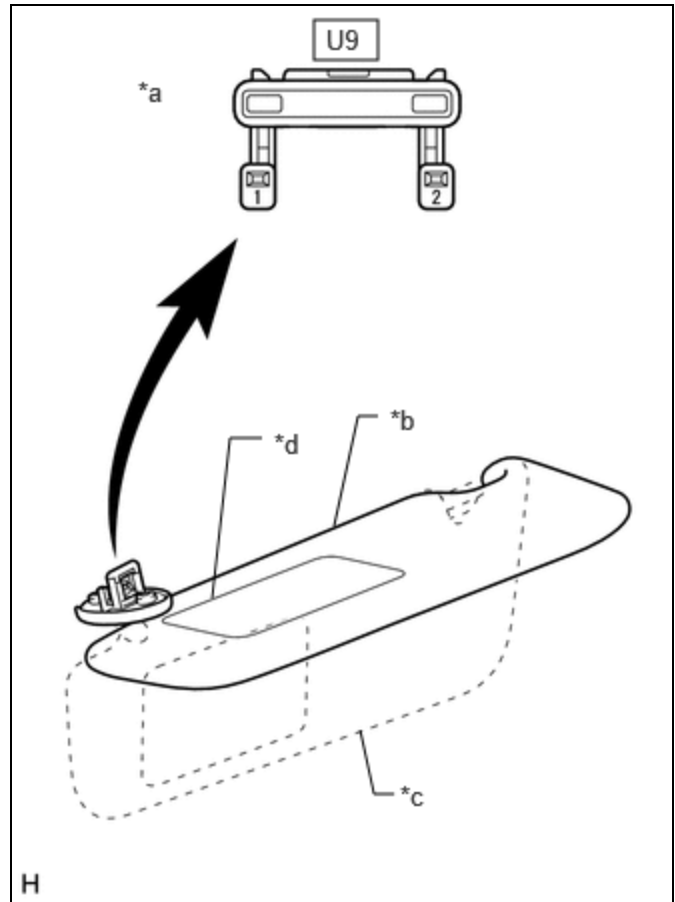
Standard Resistance:



[Click Location & Routing\(U9\).](#)

[Click Connector\(U9\).](#)

TESTER CONNECTION	CONDITION	SPECIFIED CONDITION	RESULT
U9-1 - U9-2	Visor up	10 kΩ or higher	kΩ
U9-1 - U9-2	Mirror cover fully closed with visor down	10 kΩ or higher	kΩ
U9-1 - U9-2	Mirror cover fully open with visor down	Below 1 Ω	Ω



If the result is not as specified, replace the vanity light switch LH (visor assembly LH).

*a	Component without harness connected (Vanity Light Switch LH (Visor Assembly LH))
*b	Visor up
*c	Visor down
*d	Mirror Cover

2. INSPECT VANITY LIGHT SWITCH RH (VISOR ASSEMBLY RH)

(a) Measure the resistance according to the value(s) in the table below.

Standard Resistance:

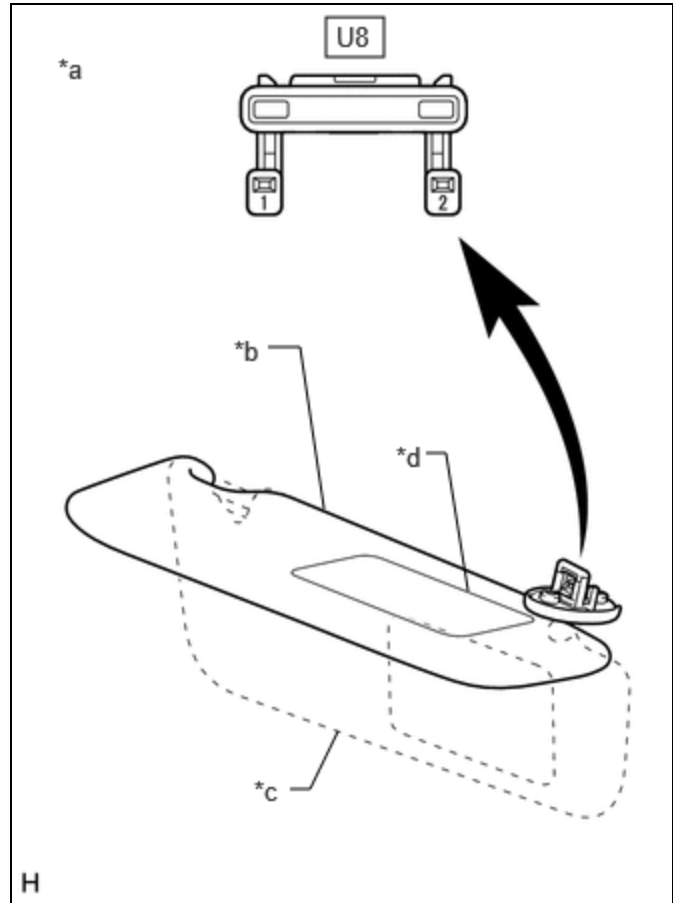
EWD INFO

[Click Location & Routing\(U8\)](#)

[Click Connector\(U8\)](#)

TESTER CONNECTION	CONDITION	SPECIFIED CONDITION	RESULT
U8-1 - U8-2	Visor up	10 kΩ or higher	kΩ
U8-1 - U8-2	Mirror cover fully closed with visor down	10 kΩ or higher	kΩ
U8-1 - U8-2	Mirror cover fully open with visor down	Below 1 Ω	Ω

If the result is not as specified, replace the vanity light switch RH (visor assembly RH).



*a	Component without harness connected (Vanity Light Switch RH (Visor Assembly RH))
*b	Visor up
*c	Visor down
*d	Mirror Cover

