

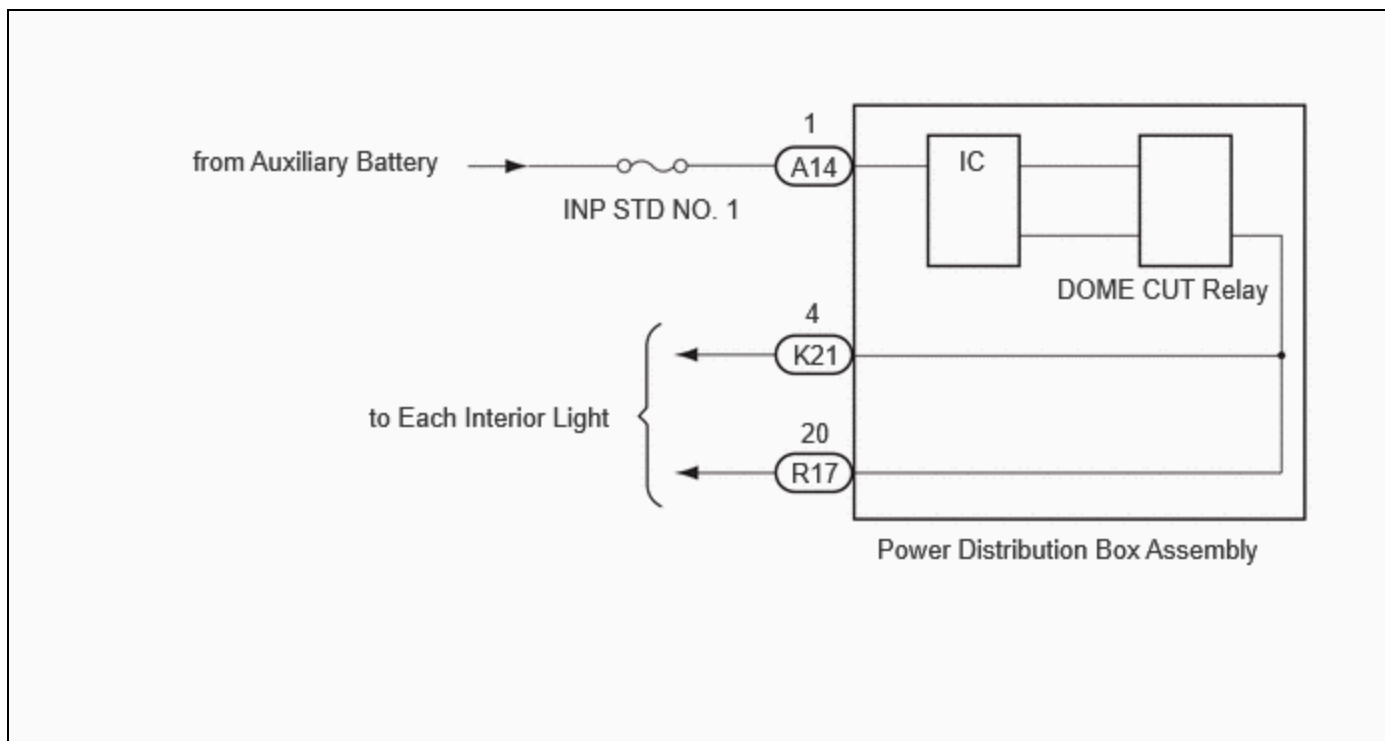
Last Modified: 12-04-2024	6.11:8.1.0	Doc ID: RM1000000029IMF
Model Year Start: 2023	Model: Prius Prime	Prod Date Range: [12/2022 -]
Title: LIGHTING (INT): LIGHTING SYSTEM: Interior Light Auto Cut Circuit; 2023 - 2024 MY Prius Prius Prime [12/2022 -]		

Interior Light Auto Cut Circuit

DESCRIPTION

When the battery saving control operates, the main body ECU (multiplex network body ECU) controls the operation of the DOME CUT relay that is built into the instrument panel junction block assembly to turn off the interior lights.

WIRING DIAGRAM



CAUTION / NOTICE / HINT

NOTICE:

- Inspect the fuses for circuits related to this system before performing the following inspection procedure.
- Before replacing the main body ECU (multiplex network body ECU), refer to Registration.

Click here [INFO](#)

PROCEDURE

1. PERFORM ACTIVE TEST USING GTS

(a) Perform the Active Test according to the display on the GTS.

Body Electrical > Main Body > Active Test

TESTER DISPLAY	MEASUREMENT ITEM	CONTROL RANGE	DIAGNOSTIC NOTE
Relay for Interior Light Auto Cut Function	DOME CUT relay	ON or OFF	<ul style="list-style-type: none"> ON: DOME CUT relay off (interior lights turn off) OFF: DOME CUT relay on (interior lights turn on)

Body Electrical > Main Body > Active Test

TESTER DISPLAY
Relay for Interior Light Auto Cut Function

OK:

All of the interior lights turn off when ON is selected.

OK ▶ **PROCEED TO NEXT SUSPECTED AREA SHOWN IN PROBLEM SYMPTOMS TABLE** INFO

NG



2.	CHECK HARNESS AND CONNECTOR (POWER SOURCE - POWER DISTRIBUTION BOX ASSEMBLY)
-----------	---

- (a) Disconnect the A14 power distribution box assembly connector.
- (b) Measure the voltage according to the value(s) in the table below.

Standard Voltage:



[Click Location & Routing\(A14\)](#)
[Click Connector\(A14\)](#)

TESTER CONNECTION	CONDITION	SPECIFIED CONDITION
A14-1 - Body ground	Ignition switch off	11 to 14 V

NG ▶ **REPAIR OR REPLACE HARNESS OR CONNECTOR**

OK



3. INSPECT POWER DISTRIBUTION BOX ASSEMBLY

- (a) Connect the A14 power distribution box assembly connector.
- (b) Measure the voltage according to the value(s) in the table below.

Standard Voltage:



[Click Location & Routing\(K21,R17\).](#)

[Click Connector\(K21\).](#)

[Click Connector\(R17\).](#)

TESTER CONNECTION	CONDITION	SPECIFIED CONDITION
K21-4 - Body ground	DOME CUT relay on	11 to 14 V
	DOME CUT relay off	Below 1 V
R17-20 - Body ground	DOME CUT relay on	11 to 14 V
	DOME CUT relay off	Below 1 V

OK ► **USE SIMULATION METHOD TO CHECK**

NG ► **REPLACE POWER DISTRIBUTION BOX ASSEMBLY**

INFO

