

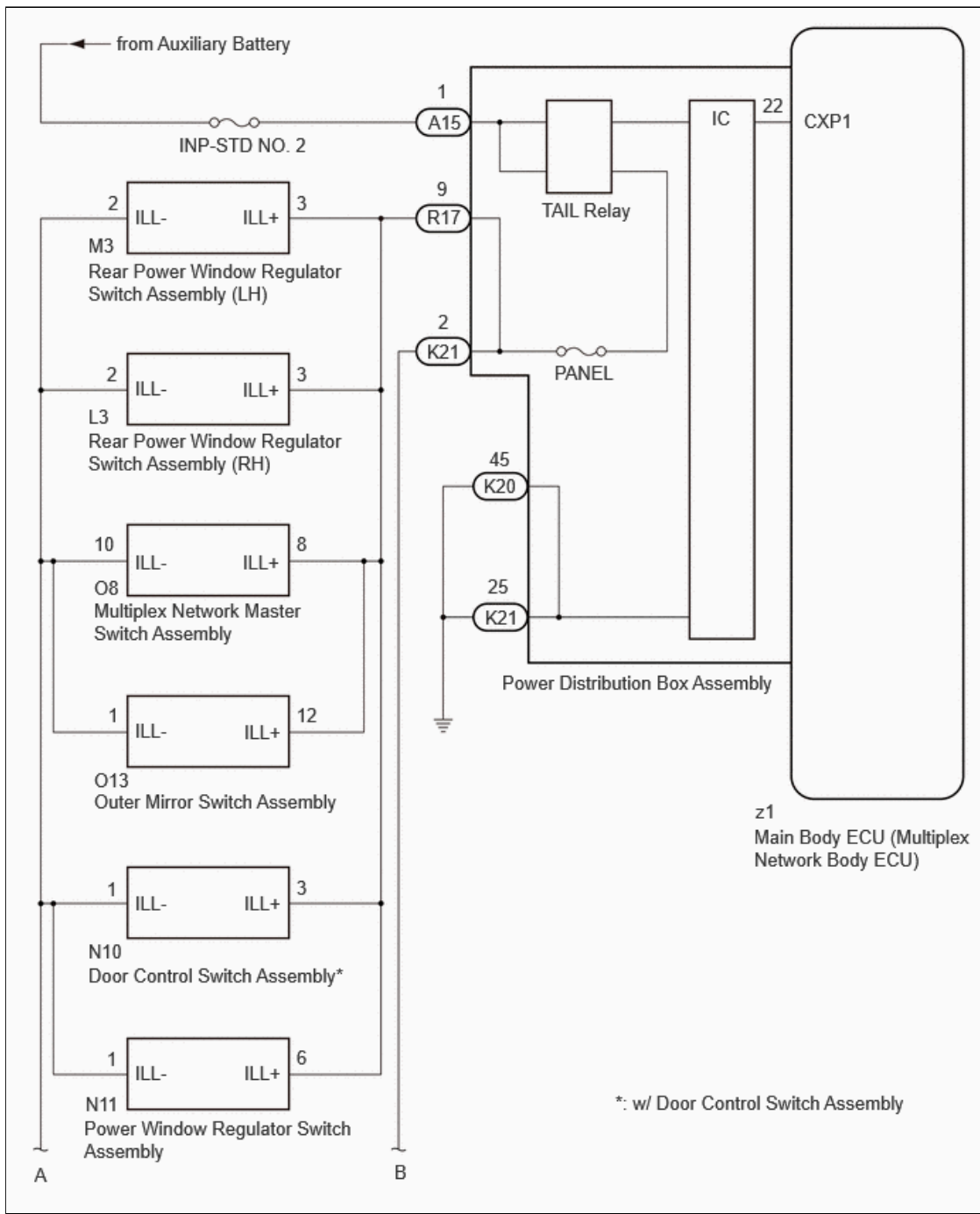
Last Modified: 12-04-2024	6.11:8.1.0	Doc ID: RM10000002EPRH
Model Year Start: 2024	Model: Prius Prime	Prod Date Range: [09/2023 -]
Title: LIGHTING (INT): LIGHTING SYSTEM: Instrument Panel Illumination does not Turn On; 2024 MY Prius Prius Prime [09/2023 -]		

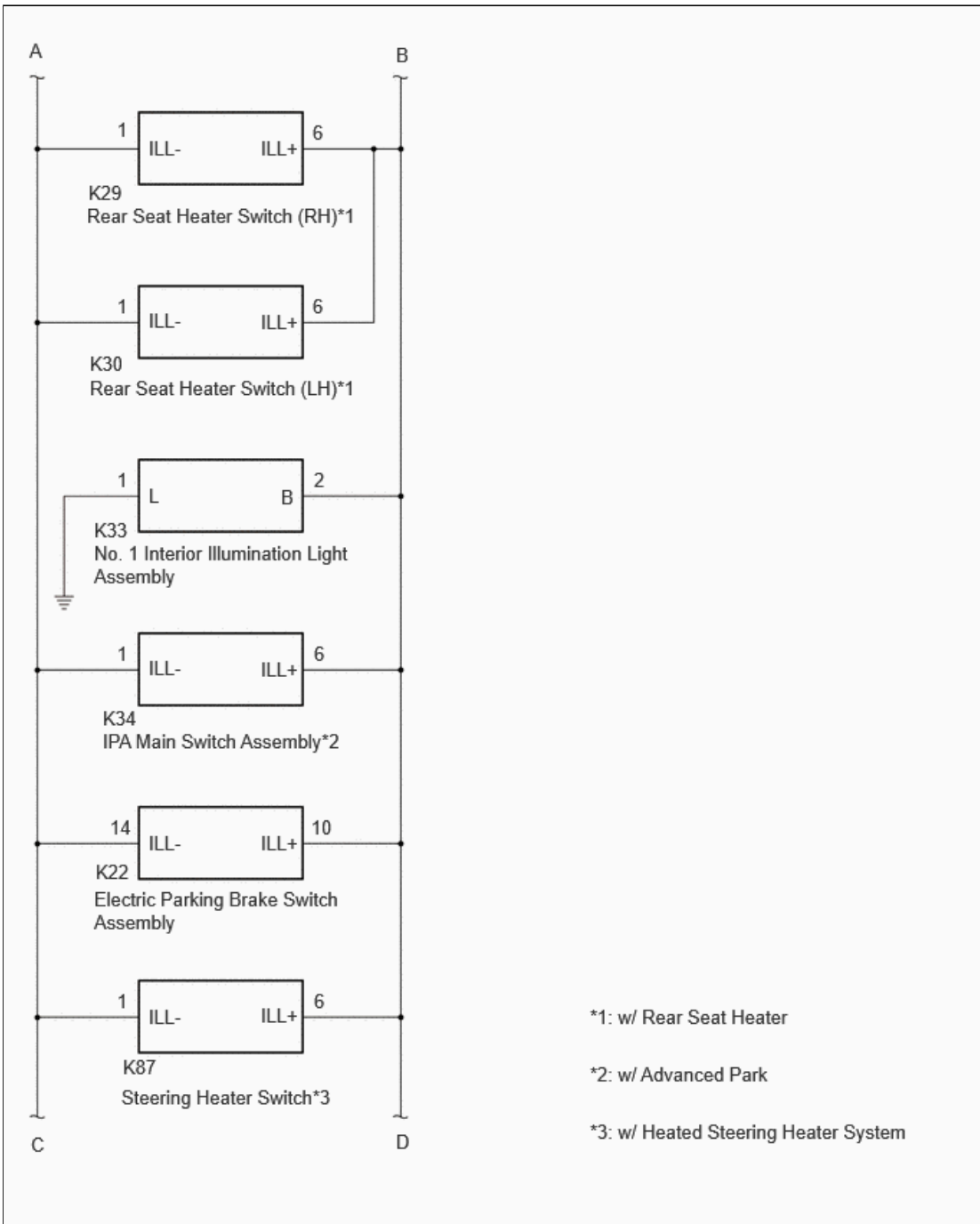
Instrument Panel Illumination does not Turn On

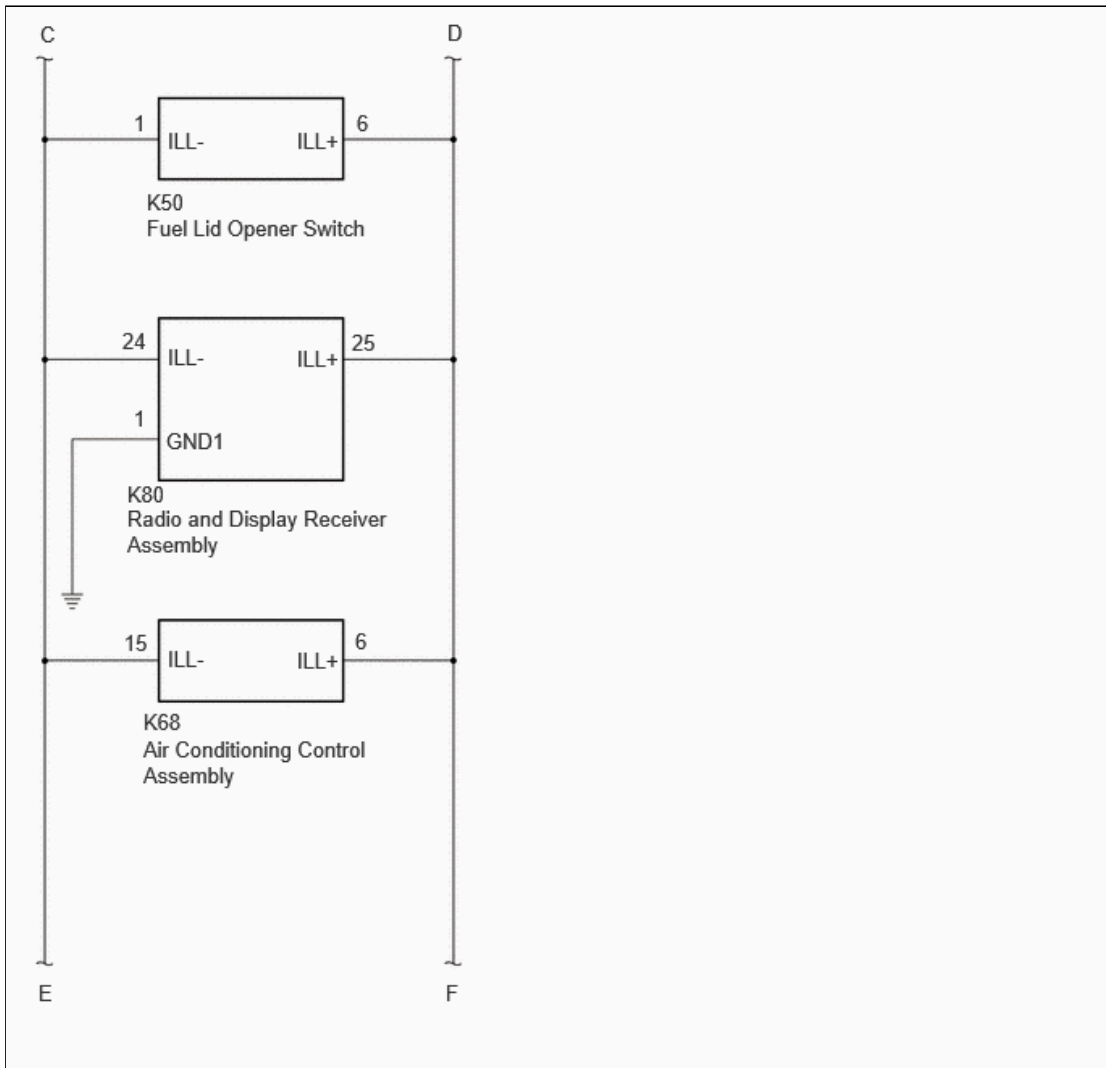
DESCRIPTION

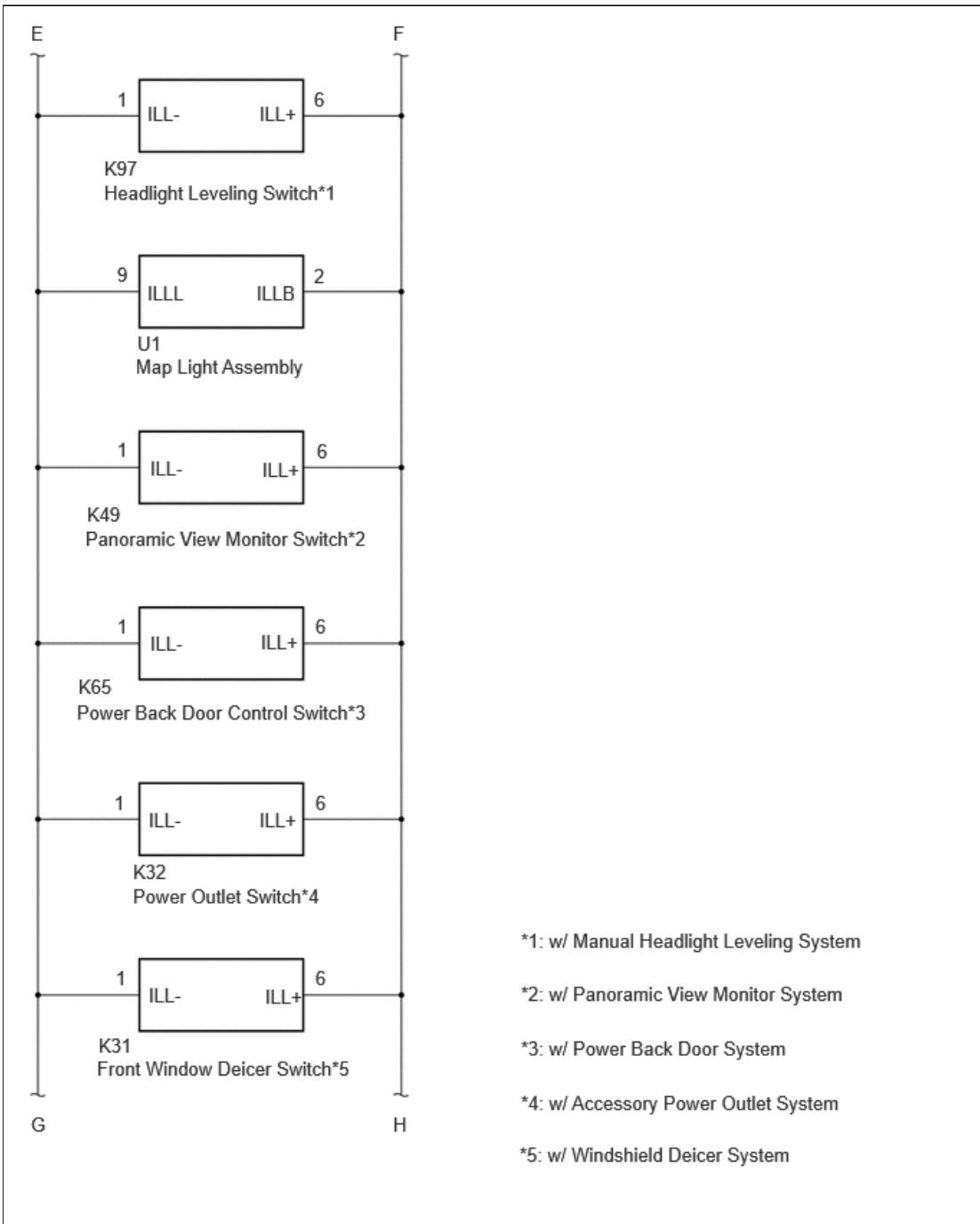
The main body ECU (multiplex network body ECU) controls the instrument panel illuminations.

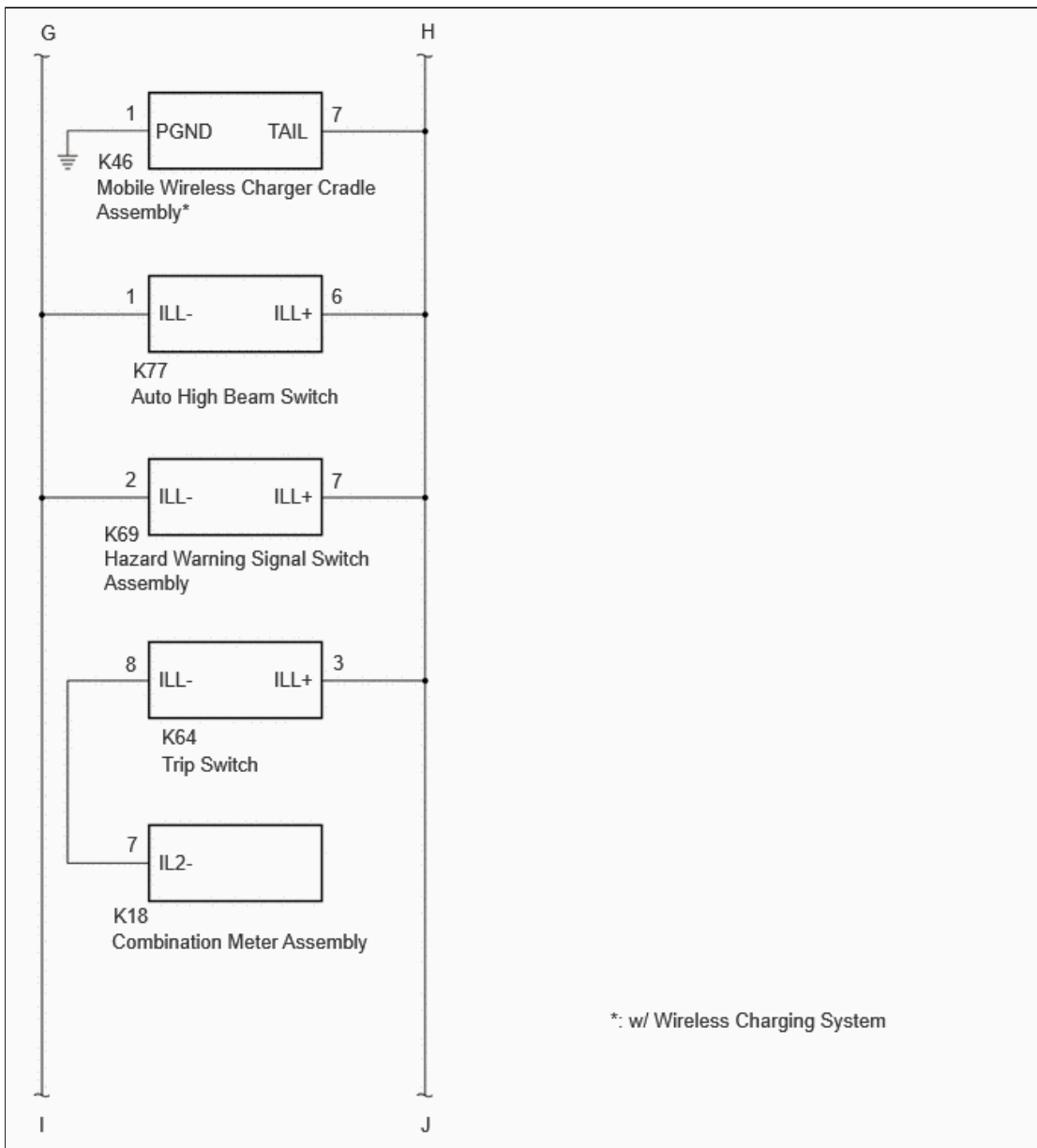
WIRING DIAGRAM

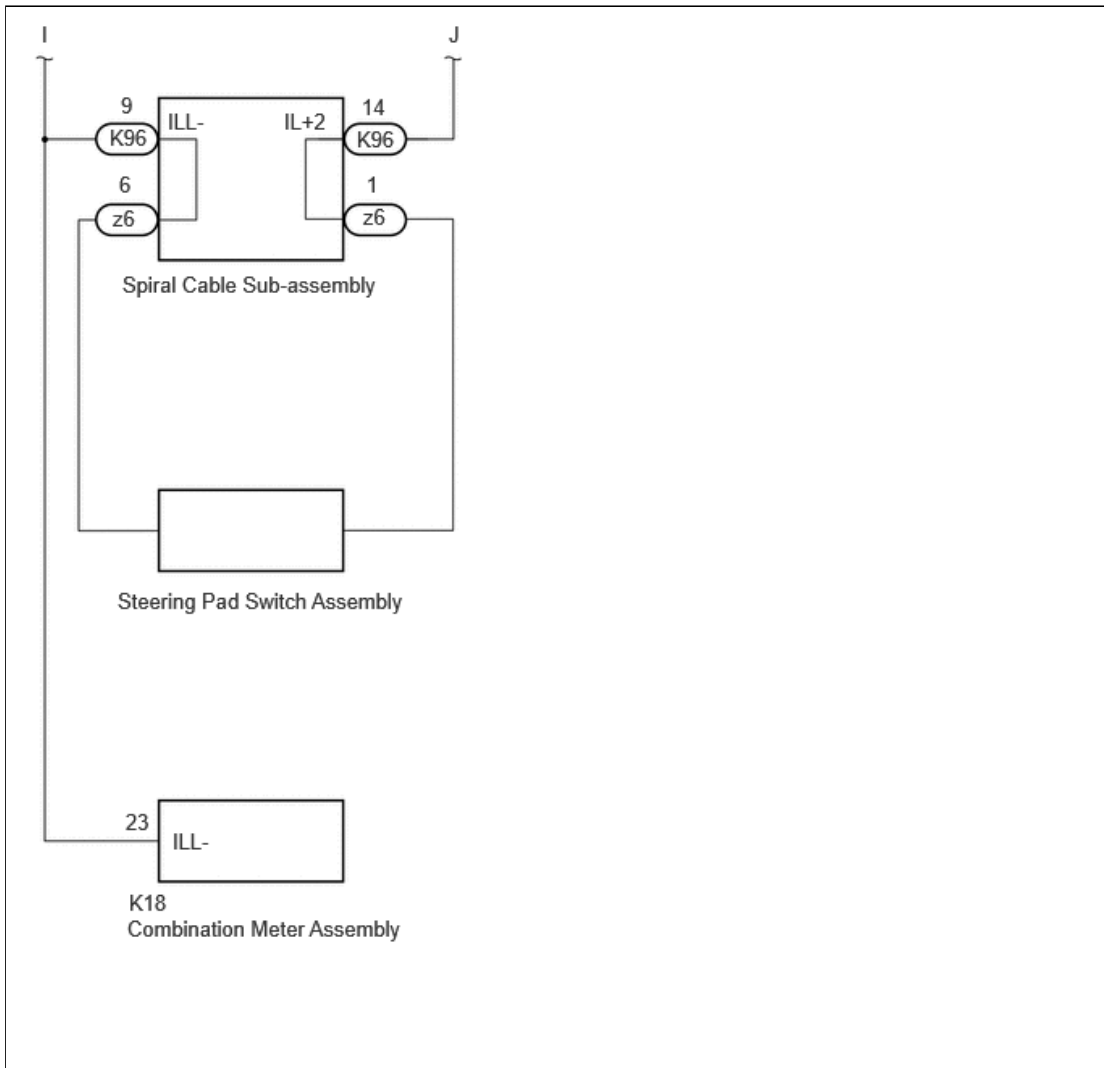












CAUTION / NOTICE / HINT

NOTICE:

- Inspect the fuses for circuits related to this system before performing the following inspection procedure.
- First perform the communication function inspections in How to Proceed with Troubleshooting to confirm that there are no CXPI communication malfunctions before troubleshooting this symptom.

[Click here](#) INFO

PROCEDURE

1.	READ VALUE USING GTS
-----------	-----------------------------

- (a) Turn the light control switch to the TAIL position.
- (b) Read the Data List according to the display on the GTS.

Body Electrical > Power Distribution Box > Data List

TESTER DISPLAY	MEASUREMENT ITEM	RANGE	NORMAL CONDITION	DIAGNOSTIC NOTE
Panel Light Fuse Shut Off Status	Panel light fuse condition	OFF or ON	OFF: Fuse not shut off ON: Fuse shut off	-

Body Electrical > Power Distribution Box > Data List

TESTER DISPLAY
Panel Light Fuse Shut Off Status

OK:
The Data List value displays "OFF".

NG  **GO TO STEP 5**

OK


2.	READ VALUE USING GTS
-----------	-----------------------------

(a) Read the Data List according to the display on the GTS.

Body Electrical > Power Distribution Box > Data List

TESTER DISPLAY	MEASUREMENT ITEM	RANGE	NORMAL CONDITION	DIAGNOSTIC NOTE
Panel Light Input Signal	Panel light input condition	OFF or ON	OFF: Light control switch not in tail position ON: Light control switch in tail position	-

Body Electrical > Power Distribution Box > Data List

TESTER DISPLAY
Panel Light Input Signal

OK:
The GTS display changes correctly in response to the operation of the light control switch.

NG  **REPLACE POWER DISTRIBUTION BOX ASSEMBLY**

OK


3.	READ VALUE USING GTS
-----------	-----------------------------

(a) Read the Data List according to the display on the GTS.

Body Electrical > Power Distribution Box > Data List

TESTER DISPLAY	MEASUREMENT ITEM	RANGE	NORMAL CONDITION	DIAGNOSTIC NOTE
Panel Light Output Signal	Panel light output condition	OFF or ON	OFF: Panel light off ON: Panel light on	-

Body Electrical > Power Distribution Box > Data List

TESTER DISPLAY
Panel Light Output Signal

OK:

The GTS display changes correctly in response to the operation of the light control switch.

NG  **REPLACE POWER DISTRIBUTION BOX ASSEMBLY**

OK



4.	CHECK HARNESS AND CONNECTOR
-----------	------------------------------------

- (a) Disconnect the M3 rear power window regulator switch assembly (LH) connector.
- (b) Disconnect the L3 rear power window regulator switch assembly (RH) connector.
- (c) Disconnect the O8 multiplex network master switch assembly connector.
- (d) Disconnect the O13 outer mirror switch assembly connector.
- (e) w/ Door Control Switch Assembly
 - (1) Disconnect the N10 door control switch assembly connector.
- (f) Disconnect the N11 power window regulator switch assembly connector.
- (g) w/ Rear Seat Heater
 - (1) Disconnect the K29 rear seat heater switch (RH) connector.
 - (2) Disconnect the K30 rear seat heater switch (LH) connector.
- (h) Disconnect the K33 No. 1 interior illumination light assembly connector.
- (i) w/ Advanced Park
 - (1) Disconnect the K34 IPA main switch assembly connector.
- (j) Disconnect the K22 electric parking brake switch assembly connector.
- (k) w/ Heated Steering Heater System
 - (1) Disconnect the K87 steering heater switch connector.
- (l) Disconnect the K50 fuel lid opener switch connector.
- (m) Disconnect the K80 radio and display receiver assembly connector.
- (n) Disconnect the K68 air conditioning control assembly connector.
- (o) w/ Manual Headlight Leveling System
 - (1) Disconnect the K97 headlight leveling switch connector.
- (p) Disconnect the U1 map light assembly connector.
- (q) w/ Panoramic View Monitor System
 - (1) Disconnect the K49 panoramic view monitor switch connector.
- (r) w/ Power Back Door System
 - (1) Disconnect the K65 power back door control switch connector.
- (s) w/ Accessory Power Outlet System
 - (1) Disconnect the K32 power outlet switch connector.
- (t) w/ Windshield Deicer System
 - (1) Disconnect the K31 front window deicer switch connector.
- (u) w/ Wireless Charging System
 - (1) Disconnect the K46 mobile wireless charger cradle assembly connector.

- (v) Disconnect the K77 auto high beam switch connector.
- (w) Disconnect the K69 hazard warning signal switch assembly connector.
- (x) Disconnect the K64 trip switch connector.
- (y) Disconnect the z6 steering pad switch connector.
- (z) Disconnect the K96 spiral cable sub-assembly connector.
- (aa) Measure the resistance according to the value(s) in the table below.

Standard Resistance:



[Click Location &](#)

[Routing\(M3,R17,L3,O8,O13,N10,N11,K29,K21,K30,K33,K34,K22,K87,K50,K80,K68,K97,U1,K49,K65,K32,K31,K46,K77,K69,K64,z6,K96\).](#)

[Click Connector\(M3\).](#)

[Click Connector\(R17\).](#)

[Click Connector\(L3\).](#)

[Click Connector\(O8\).](#)

[Click Connector\(O13\).](#)

[Click Connector\(N10\).](#)

[Click Connector\(N11\).](#)

[Click Connector\(K29\).](#)

[Click Connector\(K21\).](#)

[Click Connector\(K30\).](#)

[Click Connector\(K33\).](#)

[Click Connector\(K34\).](#)

[Click Connector\(K22\).](#)

[Click Connector\(K87\).](#)

[Click Connector\(K50\).](#)

[Click Connector\(K80\).](#)

[Click Connector\(K68\).](#)

[Click Connector\(K97\).](#)

[Click Connector\(U1\).](#)

[Click Connector\(K49\).](#)

[Click Connector\(K65\).](#)

[Click Connector\(K32\).](#)

[Click Connector\(K31\).](#)

[Click Connector\(K46\).](#)

[Click Connector\(K77\).](#)

[Click Connector\(K69\).](#)

[Click Connector\(K64\).](#)

[Click Connector\(z6\).](#)

[Click Connector\(K96\).](#)

TESTER CONNECTION	CONDITION	SPECIFIED CONDITION
M3-3 (ILL+) - R17-9	Always	Below 1 Ω
L3-3 (ILL+) - R17-9	Always	Below 1 Ω
*1: w/ Rear Seat Heater *2: w/ Advanced Park *3: w/ Heated Steering Heater System *4: w/ Manual Headlight Leveling System *5: w/ Panoramic View Monitor System *6: w/ Power Back Door System *7: w/ Windshield Deicer System *8: w/ Wireless Charging System *9: w/ Accessory Power Outlet System *10: w/ Door Control Switch Assembly		

TESTER CONNECTION	CONDITION	SPECIFIED CONDITION
O8-8 (ILL+) - R17-9	Always	Below 1 Ω
O13-12 (ILL+) - R17-9	Always	Below 1 Ω
N10-3 (ILL+) - R17-9*10	Always	Below 1 Ω
N11-6 (ILL+) - R17-9	Always	Below 1 Ω
K29-6 (ILL+) - K21-2*1	Always	Below 1 Ω
K30-6 (ILL+) - K21-2*1	Always	Below 1 Ω
K33-2 (B) - K21-2	Always	Below 1 Ω
K34-6 (ILL+) - K21-2*2	Always	Below 1 Ω
K22-10 (ILL+) - K21-2	Always	Below 1 Ω
K87-6 (ILL+) - K21-2*3	Always	Below 1 Ω
K50-6 (ILL+) - K21-2	Always	Below 1 Ω
K80-25 (ILL+) - K21-2	Always	Below 1 Ω
K68-6 (ILL+) - K21-2	Always	Below 1 Ω
K97-6 (ILL+) - K21-2*4	Always	Below 1 Ω
U1-2 (ILLB) - K21-2	Always	Below 1 Ω
K49-6 (ILL+) - K21-2*5	Always	Below 1 Ω
K65-6 (ILL+) - K21-2*6	Always	Below 1 Ω
K32-6 (ILL+) - K21-2*9	Always	Below 1 Ω
K31-6 (ILL+) - K21-2*7	Always	Below 1 Ω
K46-7 (TAIL) - K21-2*8	Always	Below 1 Ω
K77-6 (ILL+) - K21-2	Always	Below 1 Ω
K69-7 (ILL+) - K21-2	Always	Below 1 Ω
K64-3 (ILL+) - K21-2	Always	Below 1 Ω
z6-1 - K21-2	Always	Below 1 Ω
K96-14 (IL+2) - K21-2	Always	Below 1 Ω

*1: w/ Rear Seat Heater

*2: w/ Advanced Park

*3: w/ Heated Steering Heater System

*4: w/ Manual Headlight Leveling System

*5: w/ Panoramic View Monitor System

*6: w/ Power Back Door System

*7: w/ Windshield Deicer System

*8: w/ Wireless Charging System

*9: w/ Accessory Power Outlet System

*10: w/ Door Control Switch Assembly

OK  **REPLACE POWER DISTRIBUTION BOX ASSEMBLY**

NG  **REPAIR OR REPLACE HARNESS OR CONNECTOR**

5. INSPECT REAR POWER WINDOW REGULATOR SWITCH ASSEMBLY (LH)

(a) Disconnect the M3 rear power window regulator switch assembly (LH) connector.

- (b) Turn the light control switch to the TAIL position.
- (c) Read the Data List according to the display on the GTS.

Body Electrical > Power Distribution Box > Data List

TESTER DISPLAY	MEASUREMENT ITEM	RANGE	NORMAL CONDITION	DIAGNOSTIC NOTE
Panel Light Fuse Shut Off Status	Panel light fuse condition	OFF or ON	OFF: Fuse not shut off ON: Fuse shut off	-

Body Electrical > Power Distribution Box > Data List

TESTER DISPLAY
Panel Light Fuse Shut Off Status

OK:

The Data List value displays "OFF".

OK ▶ REPLACE REAR POWER WINDOW REGULATOR SWITCH ASSEMBLY (LH)**NG****6. INSPECT REAR POWER WINDOW REGULATOR SWITCH ASSEMBLY (RH)**

- (a) Disconnect the L3 rear power window regulator switch assembly (RH) connector.
- (b) Turn the light control switch to the TAIL position.
- (c) Read the Data List according to the display on the GTS.

Body Electrical > Power Distribution Box > Data List

TESTER DISPLAY	MEASUREMENT ITEM	RANGE	NORMAL CONDITION	DIAGNOSTIC NOTE
Panel Light Fuse Shut Off Status	Panel light fuse condition	OFF or ON	OFF: Fuse not shut off ON: Fuse shut off	-

Body Electrical > Power Distribution Box > Data List

TESTER DISPLAY
Panel Light Fuse Shut Off Status

OK:

The Data List value displays "OFF".

OK ▶ REPLACE REAR POWER WINDOW REGULATOR SWITCH ASSEMBLY (RH)**NG****7. INSPECT MULTIPLEX NETWORK MASTER SWITCH ASSEMBLY**

- (a) Disconnect the O8 multiplex network master switch assembly connector.

- (b) Turn the light control switch to the TAIL position.
- (c) Read the Data List according to the display on the GTS.

Body Electrical > Power Distribution Box > Data List

TESTER DISPLAY	MEASUREMENT ITEM	RANGE	NORMAL CONDITION	DIAGNOSTIC NOTE
Panel Light Fuse Shut Off Status	Panel light fuse condition	OFF or ON	OFF: Fuse not shut off ON: Fuse shut off	-

Body Electrical > Power Distribution Box > Data List

TESTER DISPLAY
Panel Light Fuse Shut Off Status

OK:
The Data List value displays "OFF".

OK ▶ REPLACE MULTIPLEX NETWORK MASTER SWITCH ASSEMBLY

NG



8.	INSPECT OUTER MIRROR SWITCH ASSEMBLY (MULTIPLEX NETWORK MASTER SWITCH ASSEMBLY)
-----------	--

- (a) Disconnect the O13 outer mirror switch assembly connector.
- (b) Turn the light control switch to the TAIL position.
- (c) Read the Data List according to the display on the GTS.

Body Electrical > Power Distribution Box > Data List

TESTER DISPLAY	MEASUREMENT ITEM	RANGE	NORMAL CONDITION	DIAGNOSTIC NOTE
Panel Light Fuse Shut Off Status	Panel light fuse condition	OFF or ON	OFF: Fuse not shut off ON: Fuse shut off	-

Body Electrical > Power Distribution Box > Data List

TESTER DISPLAY
Panel Light Fuse Shut Off Status

OK:
The Data List value displays "OFF".

OK ▶ REPLACE OUTER MIRROR SWITCH ASSEMBLY (MULTIPLEX NETWORK MASTER SWITCH ASSEMBLY)

NG



9.	CONFIRM MODEL
-----------	----------------------

RESULT	PROCEED TO
w/o Door Control Switch Assembly	A
w/ Door Control Switch Assembly	B

A ► **GO TO STEP 11**

B
▼

10.	INSPECT DOOR CONTROL SWITCH ASSEMBLY
------------	---

- (a) Disconnect the N10 door control switch assembly connector.
- (b) Turn the light control switch to the TAIL position.
- (c) Read the Data List according to the display on the GTS.

Body Electrical > Power Distribution Box > Data List

TESTER DISPLAY	MEASUREMENT ITEM	RANGE	NORMAL CONDITION	DIAGNOSTIC NOTE
Panel Light Fuse Shut Off Status	Panel light fuse condition	OFF or ON	OFF: Fuse not shut off ON: Fuse shut off	-

Body Electrical > Power Distribution Box > Data List

TESTER DISPLAY
Panel Light Fuse Shut Off Status

OK:
The Data List value displays "OFF".

OK ► **REPLACE DOOR CONTROL SWITCH ASSEMBLY**

NG
▼

11.	INSPECT POWER WINDOW REGULATOR SWITCH ASSEMBLY
------------	---

- (a) Disconnect the N11 power window regulator switch assembly connector.
- (b) Turn the light control switch to the TAIL position.
- (c) Read the Data List according to the display on the GTS.

Body Electrical > Power Distribution Box > Data List

TESTER DISPLAY	MEASUREMENT ITEM	RANGE	NORMAL CONDITION	DIAGNOSTIC NOTE
Panel Light Fuse Shut Off Status	Panel light fuse condition	OFF or ON	OFF: Fuse not shut off ON: Fuse shut off	-

Body Electrical > Power Distribution Box > Data List

TESTER DISPLAY
Panel Light Fuse Shut Off Status

OK:
The Data List value displays "OFF".

OK ▶ REPLACE POWER WINDOW REGULATOR SWITCH ASSEMBLY

NG
▼

12.	CONFIRM MODEL
------------	----------------------

RESULT	PROCEED TO
w/o Rear Seat Heater	A
w/ Rear Seat Heater	B

A ▶ GO TO STEP 15

B
▼

13.	INSPECT REAR SEAT HEATER SWITCH (RH)
------------	---

- (a) Disconnect the K29 rear seat heater switch (RH) connector.
- (b) Turn the light control switch to the TAIL position.
- (c) Read the Data List according to the display on the GTS.

Body Electrical > Power Distribution Box > Data List

TESTER DISPLAY	MEASUREMENT ITEM	RANGE	NORMAL CONDITION	DIAGNOSTIC NOTE
Panel Light Fuse Shut Off Status	Panel light fuse condition	OFF or ON	OFF: Fuse not shut off ON: Fuse shut off	-

Body Electrical > Power Distribution Box > Data List

TESTER DISPLAY
Panel Light Fuse Shut Off Status

OK:
The Data List value displays "OFF".

OK ▶ REPLACE REAR SEAT HEATER SWITCH (RH)

NG



14.	INSPECT REAR SEAT HEATER SWITCH (LH)
------------	---

- (a) Disconnect the K30 rear seat heater switch (LH) connector.
- (b) Turn the light control switch to the TAIL position.
- (c) Read the Data List according to the display on the GTS.

Body Electrical > Power Distribution Box > Data List

TESTER DISPLAY	MEASUREMENT ITEM	RANGE	NORMAL CONDITION	DIAGNOSTIC NOTE
Panel Light Fuse Shut Off Status	Panel light fuse condition	OFF or ON	OFF: Fuse not shut off ON: Fuse shut off	-

Body Electrical > Power Distribution Box > Data List

TESTER DISPLAY
Panel Light Fuse Shut Off Status

OK:
The Data List value displays "OFF".

OK **REPLACE REAR SEAT HEATER SWITCH (LH)**

NG



15.	INSPECT NO. 1 INTERIOR ILLUMINATION LIGHT ASSEMBLY
------------	---

- (a) Disconnect the K33 No. 1 interior illumination light assembly connector.
- (b) Turn the light control switch to the TAIL position.
- (c) Read the Data List according to the display on the GTS.

Body Electrical > Power Distribution Box > Data List

TESTER DISPLAY	MEASUREMENT ITEM	RANGE	NORMAL CONDITION	DIAGNOSTIC NOTE
Panel Light Fuse Shut Off Status	Panel light fuse condition	OFF or ON	OFF: Fuse not shut off ON: Fuse shut off	-

Body Electrical > Power Distribution Box > Data List

TESTER DISPLAY
Panel Light Fuse Shut Off Status

OK:
The Data List value displays "OFF".

OK **REPLACE NO. 1 INTERIOR ILLUMINATION LIGHT ASSEMBLY**

NG



16.	CONFIRM MODEL
------------	----------------------

RESULT	PROCEED TO
w/o Advanced Park	A
w/ Advanced Park	B

A **GO TO STEP 18**

B



17.	INSPECT IPA MAIN SWITCH ASSEMBLY
------------	---

- (a) Disconnect the K34 IPA main switch assembly connector.
- (b) Turn the light control switch to the TAIL position.
- (c) Read the Data List according to the display on the GTS.

Body Electrical > Power Distribution Box > Data List

TESTER DISPLAY	MEASUREMENT ITEM	RANGE	NORMAL CONDITION	DIAGNOSTIC NOTE
Panel Light Fuse Shut Off Status	Panel light fuse condition	OFF or ON	OFF: Fuse not shut off ON: Fuse shut off	-

Body Electrical > Power Distribution Box > Data List

TESTER DISPLAY
Panel Light Fuse Shut Off Status

OK:
The Data List value displays "OFF".

OK **REPLACE IPA MAIN SWITCH ASSEMBLY**

NG



18.	INSPECT ELECTRIC PARKING BRAKE SWITCH ASSEMBLY
------------	---

- (a) Disconnect the K22 electric parking brake switch assembly connector.
- (b) Turn the light control switch to the TAIL position.
- (c) Read the Data List according to the display on the GTS.

Body Electrical > Power Distribution Box > Data List

TESTER DISPLAY	MEASUREMENT ITEM	RANGE	NORMAL CONDITION	DIAGNOSTIC NOTE
Panel Light Fuse Shut Off Status	Panel light fuse condition	OFF or ON	OFF: Fuse not shut off ON: Fuse shut off	-

Body Electrical > Power Distribution Box > Data List

TESTER DISPLAY
Panel Light Fuse Shut Off Status

OK:
The Data List value displays "OFF".

OK ▶ REPLACE ELECTRIC PARKING BRAKE SWITCH ASSEMBLY

NG



19.	CONFIRM MODEL
------------	----------------------

RESULT	PROCEED TO
w/o Heated Steering Heater System	A
w/ Heated Steering Heater System	B

A ▶ GO TO STEP 21

B



20.	INSPECT STEERING HEATER SWITCH
------------	---------------------------------------

- (a) Disconnect the K87 steering heater switch connector.
- (b) Turn the light control switch to the TAIL position.
- (c) Read the Data List according to the display on the GTS.

Body Electrical > Power Distribution Box > Data List

TESTER DISPLAY	MEASUREMENT ITEM	RANGE	NORMAL CONDITION	DIAGNOSTIC NOTE
Panel Light Fuse Shut Off Status	Panel light fuse condition	OFF or ON	OFF: Fuse not shut off ON: Fuse shut off	-

Body Electrical > Power Distribution Box > Data List

TESTER DISPLAY
Panel Light Fuse Shut Off Status

OK:

The Data List value displays "OFF".

OK ▶ REPLACE STEERING HEATER SWITCH

NG



21. INSPECT FUEL LID OPENER SWITCH

- (a) Disconnect the K50 fuel lid opener switch connector.
- (b) Turn the light control switch to the TAIL position.
- (c) Read the Data List according to the display on the GTS.

Body Electrical > Power Distribution Box > Data List

TESTER DISPLAY	MEASUREMENT ITEM	RANGE	NORMAL CONDITION	DIAGNOSTIC NOTE
Panel Light Fuse Shut Off Status	Panel light fuse condition	OFF or ON	OFF: Fuse not shut off ON: Fuse shut off	-

Body Electrical > Power Distribution Box > Data List

TESTER DISPLAY
Panel Light Fuse Shut Off Status

OK:

The Data List value displays "OFF".

OK ▶ REPLACE FUEL LID OPENER SWITCH

NG



22. INSPECT RADIO AND DISPLAY RECEIVER ASSEMBLY

- (a) Disconnect the K80 radio and display receiver assembly connector.
- (b) Turn the light control switch to the TAIL position.
- (c) Read the Data List according to the display on the GTS.

Body Electrical > Power Distribution Box > Data List

TESTER DISPLAY	MEASUREMENT ITEM	RANGE	NORMAL CONDITION	DIAGNOSTIC NOTE
Panel Light Fuse Shut Off Status	Panel light fuse condition	OFF or ON	OFF: Fuse not shut off ON: Fuse shut off	-

Body Electrical > Power Distribution Box > Data List

TESTER DISPLAY
Panel Light Fuse Shut Off Status

OK:

The Data List value displays "OFF".

OK ▶ REPLACE RADIO AND DISPLAY RECEIVER ASSEMBLY

NG



23. INSPECT AIR CONDITIONING CONTROL ASSEMBLY

- (a) Disconnect the K68 air conditioning control assembly connector.
- (b) Turn the light control switch to the TAIL position.
- (c) Read the Data List according to the display on the GTS.

Body Electrical > Power Distribution Box > Data List

TESTER DISPLAY	MEASUREMENT ITEM	RANGE	NORMAL CONDITION	DIAGNOSTIC NOTE
Panel Light Fuse Shut Off Status	Panel light fuse condition	OFF or ON	OFF: Fuse not shut off ON: Fuse shut off	-

Body Electrical > Power Distribution Box > Data List

TESTER DISPLAY
Panel Light Fuse Shut Off Status

OK:

The Data List value displays "OFF".

OK ▶ REPLACE AIR CONDITIONING CONTROL ASSEMBLY

NG



24. CONFIRM MODEL

RESULT	PROCEED TO
w/o Manual Headlight Leveling System	A
w/ Manual Headlight Leveling System	B

A ▶ GO TO STEP 26

B



25. INSPECT HEADLIGHT LEVELING SWITCH

- (a) Disconnect the K97 headlight leveling switch connector.
- (b) Turn the light control switch to the TAIL position.
- (c) Read the Data List according to the display on the GTS.

Body Electrical > Power Distribution Box > Data List

TESTER DISPLAY	MEASUREMENT ITEM	RANGE	NORMAL CONDITION	DIAGNOSTIC NOTE
Panel Light Fuse Shut Off Status	Panel light fuse condition	OFF or ON	OFF: Fuse not shut off ON: Fuse shut off	-

Body Electrical > Power Distribution Box > Data List

TESTER DISPLAY
Panel Light Fuse Shut Off Status

OK:

The Data List value displays "OFF".

OK ► REPLACE HEADLIGHT LEVELING SWITCH**NG**

26.	INSPECT MAP LIGHT ASSEMBLY
------------	-----------------------------------

- (a) Disconnect the U1 map light assembly connector.
- (b) Turn the light control switch to the TAIL position.
- (c) Read the Data List according to the display on the GTS.

Body Electrical > Power Distribution Box > Data List

TESTER DISPLAY	MEASUREMENT ITEM	RANGE	NORMAL CONDITION	DIAGNOSTIC NOTE
Panel Light Fuse Shut Off Status	Panel light fuse condition	OFF or ON	OFF: Fuse not shut off ON: Fuse shut off	-

Body Electrical > Power Distribution Box > Data List

TESTER DISPLAY
Panel Light Fuse Shut Off Status

OK:

The Data List value displays "OFF".

OK ► REPLACE MAP LIGHT ASSEMBLY**NG**

27.	CONFIRM MODEL
------------	----------------------

RESULT	PROCEED TO
w/o Panoramic View Monitor System	A
w/ Panoramic View Monitor System	B

A ► GO TO STEP 29

B
▼

28. INSPECT PANORAMIC VIEW MONITOR SWITCH

- (a) Disconnect the K49 panoramic view monitor switch connector.
- (b) Turn the light control switch to the TAIL position.
- (c) Read the Data List according to the display on the GTS.

Body Electrical > Power Distribution Box > Data List

TESTER DISPLAY	MEASUREMENT ITEM	RANGE	NORMAL CONDITION	DIAGNOSTIC NOTE
Panel Light Fuse Shut Off Status	Panel light fuse condition	OFF or ON	OFF: Fuse not shut off ON: Fuse shut off	-

Body Electrical > Power Distribution Box > Data List

TESTER DISPLAY
Panel Light Fuse Shut Off Status

OK:
The Data List value displays "OFF".

OK ► REPLACE PANORAMIC VIEW MONITOR SWITCH

NG
▼

29. CONFIRM MODEL

RESULT	PROCEED TO
w/o Power Back Door System	A
w/ Power Back Door System	B

A ► GO TO STEP 31

B



30.	INSPECT POWER BACK DOOR CONTROL SWITCH
------------	---

- (a) Disconnect the K65 power back door control switch connector.
- (b) Turn the light control switch to the TAIL position.
- (c) Read the Data List according to the display on the GTS.

Body Electrical > Power Distribution Box > Data List

TESTER DISPLAY	MEASUREMENT ITEM	RANGE	NORMAL CONDITION	DIAGNOSTIC NOTE
Panel Light Fuse Shut Off Status	Panel light fuse condition	OFF or ON	OFF: Fuse not shut off ON: Fuse shut off	-

Body Electrical > Power Distribution Box > Data List

TESTER DISPLAY
Panel Light Fuse Shut Off Status

OK:
The Data List value displays "OFF".

OK ▶ **REPLACE POWER BACK DOOR CONTROL SWITCH**

NG



31.	CONFIRM MODEL
------------	----------------------

RESULT	PROCEED TO
w/o Accessory Power Outlet System	A
w/ Accessory Power Outlet System	B

A ▶ **GO TO STEP 33**

B



32.	INSPECT POWER OUTLET SWITCH
------------	------------------------------------

- (a) Disconnect the K32 power outlet switch connector.
- (b) Turn the light control switch to the TAIL position.
- (c) Read the Data List according to the display on the GTS.

Body Electrical > Power Distribution Box > Data List

TESTER DISPLAY	MEASUREMENT ITEM	RANGE	NORMAL CONDITION	DIAGNOSTIC NOTE
Panel Light Fuse Shut Off Status	Panel light fuse condition	OFF or ON	OFF: Fuse not shut off ON: Fuse shut off	-

Body Electrical > Power Distribution Box > Data List

TESTER DISPLAY
Panel Light Fuse Shut Off Status

OK:
The Data List value displays "OFF".

OK ▶ REPLACE POWER OUTLET SWITCH

NG



33.	CONFIRM MODEL
------------	----------------------

RESULT	PROCEED TO
w/o Windshield Deicer System	A
w/ Windshield Deicer System	B

A ▶ GO TO STEP 35

B



34.	INSPECT FRONT WINDOW DEICER SWITCH
------------	---

- (a) Disconnect the K31 front window deicer switch connector.
- (b) Turn the light control switch to the TAIL position.
- (c) Read the Data List according to the display on the GTS.

Body Electrical > Power Distribution Box > Data List

TESTER DISPLAY	MEASUREMENT ITEM	RANGE	NORMAL CONDITION	DIAGNOSTIC NOTE
Panel Light Fuse Shut Off Status	Panel light fuse condition	OFF or ON	OFF: Fuse not shut off ON: Fuse shut off	-

Body Electrical > Power Distribution Box > Data List

TESTER DISPLAY
Panel Light Fuse Shut Off Status

OK:

The Data List value displays "OFF".

OK ▶ REPLACE FRONT WINDOW DEICER SWITCH

NG



35.	CONFIRM MODEL
------------	----------------------

RESULT	PROCEED TO
w/o Wireless Charging System	A
w/ Wireless Charging System	B

A ▶ GO TO STEP 37

B



36.	INSPECT MOBILE WIRELESS CHARGER CRADLE ASSEMBLY
------------	--

- (a) Disconnect the K46 mobile wireless charger cradle assembly connector.
- (b) Turn the light control switch to the TAIL position.
- (c) Read the Data List according to the display on the GTS.

Body Electrical > Power Distribution Box > Data List

TESTER DISPLAY	MEASUREMENT ITEM	RANGE	NORMAL CONDITION	DIAGNOSTIC NOTE
Panel Light Fuse Shut Off Status	Panel light fuse condition	OFF or ON	OFF: Fuse not shut off ON: Fuse shut off	-

Body Electrical > Power Distribution Box > Data List

TESTER DISPLAY
Panel Light Fuse Shut Off Status

OK:

The Data List value displays "OFF".

OK ▶ REPLACE MOBILE WIRELESS CHARGER CRADLE ASSEMBLY

NG



37.	INSPECT AUTO HIGH BEAM SWITCH
------------	--------------------------------------

- (a) Disconnect the K77 auto high beam switch connector.
- (b) Turn the light control switch to the TAIL position.
- (c) Read the Data List according to the display on the GTS.

Body Electrical > Power Distribution Box > Data List

TESTER DISPLAY	MEASUREMENT ITEM	RANGE	NORMAL CONDITION	DIAGNOSTIC NOTE
Panel Light Fuse Shut Off Status	Panel light fuse condition	OFF or ON	OFF: Fuse not shut off ON: Fuse shut off	-

Body Electrical > Power Distribution Box > Data List

TESTER DISPLAY
Panel Light Fuse Shut Off Status

OK:
The Data List value displays "OFF".

OK ▶ REPLACE AUTO HIGH BEAM SWITCH

NG



38.	INSPECT HAZARD WARNING SIGNAL SWITCH ASSEMBLY
------------	--

- (a) Disconnect the K69 hazard warning signal switch assembly connector.
- (b) Turn the light control switch to the TAIL position.
- (c) Read the Data List according to the display on the GTS.

Body Electrical > Power Distribution Box > Data List

TESTER DISPLAY	MEASUREMENT ITEM	RANGE	NORMAL CONDITION	DIAGNOSTIC NOTE
Panel Light Fuse Shut Off Status	Panel light fuse condition	OFF or ON	OFF: Fuse not shut off ON: Fuse shut off	-

Body Electrical > Power Distribution Box > Data List

TESTER DISPLAY
Panel Light Fuse Shut Off Status

OK:
The Data List value displays "OFF".

OK ▶ REPLACE HAZARD WARNING SIGNAL SWITCH ASSEMBLY

NG



39.	INSPECT TRIP SWITCH
------------	----------------------------

- (a) Disconnect the K64 trip switch connector.
- (b) Turn the light control switch to the TAIL position.
- (c) Read the Data List according to the display on the GTS.

Body Electrical > Power Distribution Box > Data List

TESTER DISPLAY	MEASUREMENT ITEM	RANGE	NORMAL CONDITION	DIAGNOSTIC NOTE
Panel Light Fuse Shut Off Status	Panel light fuse condition	OFF or ON	OFF: Fuse not shut off ON: Fuse shut off	-

Body Electrical > Power Distribution Box > Data List

TESTER DISPLAY
Panel Light Fuse Shut Off Status

OK:
The Data List value displays "OFF".

OK  **REPLACE TRIP SWITCH**

NG



40.	INSPECT STEERING PAD SWITCH ASSEMBLY
------------	---

- (a) Disconnect the z6 steering pad switch assembly connector.
- (b) Turn the light control switch to the TAIL position.
- (c) Read the Data List according to the display on the GTS.

Body Electrical > Power Distribution Box > Data List

TESTER DISPLAY	MEASUREMENT ITEM	RANGE	NORMAL CONDITION	DIAGNOSTIC NOTE
Panel Light Fuse Shut Off Status	Panel light fuse condition	OFF or ON	OFF: Fuse not shut off ON: Fuse shut off	-

Body Electrical > Power Distribution Box > Data List

TESTER DISPLAY
Panel Light Fuse Shut Off Status

OK:
The Data List value displays "OFF".

OK  **REPLACE STEERING PAD SWITCH ASSEMBLY**

NG



41.	INSPECT SPIRAL CABLE SUB-ASSEMBLY
------------	--

- (a) Disconnect the K96 spiral cable sub-assembly connector.
- (b) Turn the light control switch to the TAIL position.
- (c) Read the Data List according to the display on the GTS.

Body Electrical > Power Distribution Box > Data List

TESTER DISPLAY	MEASUREMENT ITEM	RANGE	NORMAL CONDITION	DIAGNOSTIC NOTE
Panel Light Fuse Shut Off Status	Panel light fuse condition	OFF or ON	OFF: Fuse not shut off ON: Fuse shut off	-

Body Electrical > Power Distribution Box > Data List

TESTER DISPLAY
Panel Light Fuse Shut Off Status

OK:
The Data List value displays "OFF".

OK  **REPLACE SPIRAL CABLE SUB-ASSEMBLY**

NG



42.	CHECK HARNESS AND CONNECTOR
------------	------------------------------------

- (a) Measure the resistance according to the value(s) in the table below.
- Standard Resistance:



- [Click Location & Routing\(M3,R17,L3,O8,O13,N10,N11,K29,K21,K30,K33,K34,K22,K87,K50,K80,K68,K97,U1,K49,K65,K32,K31,K46,K77,K69,K64,z6,K96\).](#)
- [Click Connector\(M3\)](#)
- [Click Connector\(R17\)](#)
- [Click Connector\(L3\)](#)
- [Click Connector\(O8\)](#)
- [Click Connector\(O13\)](#)
- [Click Connector\(N10\)](#)
- [Click Connector\(N11\)](#)
- [Click Connector\(K29\)](#)
- [Click Connector\(K21\)](#)
- [Click Connector\(K30\)](#)
- [Click Connector\(K33\)](#)
- [Click Connector\(K34\)](#)
- [Click Connector\(K22\)](#)
- [Click Connector\(K87\)](#)
- [Click Connector\(K50\)](#)
- [Click Connector\(K80\)](#)
- [Click Connector\(K68\)](#)
- [Click Connector\(K97\)](#)
- [Click Connector\(U1\)](#)
- [Click Connector\(K49\)](#)
- [Click Connector\(K65\)](#)
- [Click Connector\(K32\)](#)
- [Click Connector\(K31\)](#)
- [Click Connector\(K46\)](#)
- [Click Connector\(K77\)](#)
- [Click Connector\(K69\)](#)

[Click Connector\(K64\).](#)[Click Connector\(z6\).](#)[Click Connector\(K96\).](#)

TESTER CONNECTION	CONDITION	SPECIFIED CONDITION
M3-3 (ILL+) or R17-9 - Body ground	Always	10 kΩ or higher
L3-3 (ILL+) or R17-9 - Body ground	Always	10 kΩ or higher
O8-8 (ILL+) or R17-9 - Body ground	Always	10 kΩ or higher
O13-12 (ILL+) or R17-9 - Body ground	Always	10 kΩ or higher
N10-3 (ILL+) or R17-9 - Body ground*10	Always	10 kΩ or higher
N11-6 (ILL+) or R17-9 - Body ground	Always	10 kΩ or higher
K29-6 (ILL+) or K21-2 - Body ground*1	Always	10 kΩ or higher
K30-6 (ILL+) or K21-2 - Body ground*1	Always	10 kΩ or higher
K33-2 (B) or K21-2 - Body ground	Always	10 kΩ or higher
K34-6 (ILL+) or K21-2 - Body ground*2	Always	10 kΩ or higher
K22-10 (ILL+) or K21-2 - Body ground	Always	10 kΩ or higher
K87-6 (ILL+) or K21-2 - Body ground*3	Always	10 kΩ or higher
K50-6 (ILL+) or K21-2 - Body ground	Always	10 kΩ or higher
K80-25 (ILL+) or K21-2 - Body ground	Always	10 kΩ or higher
K68-6 (ILL+) or K21-2 - Body ground	Always	10 kΩ or higher
K97-6 (ILL+) or K21-2 - Body ground*4	Always	10 kΩ or higher
U1-2 (ILLB) or K21-2 - Body ground	Always	10 kΩ or higher
K49-6 (ILL+) or K21-2 - Body ground*5	Always	10 kΩ or higher
K65-6 (ILL+) or K21-2 - Body ground*6	Always	10 kΩ or higher
K32-6 (ILL+) or K21-2 - Body ground*9	Always	10 kΩ or higher
K31-6 (ILL+) or K21-2 - Body ground*7	Always	10 kΩ or higher
K46-7 (TAIL) or K21-2 - Body ground*8	Always	10 kΩ or higher
K77-6 (ILL+) or K21-2 - Body ground	Always	10 kΩ or higher
K69-7 (ILL+) or K21-2 - Body ground	Always	10 kΩ or higher
K64-3 (ILL+) or K21-2 - Body ground	Always	10 kΩ or higher
z6-1 or K21-2 - Body ground	Always	10 kΩ or higher
K96-14 (IL+2) or K21-2 - Body ground	Always	10 kΩ or higher

*1: w/ Rear Seat Heater

*2: w/ Advanced Park

*3: w/ Heated Steering Heater System

*4: w/ Manual Headlight Leveling System

*5: w/ Panoramic View Monitor System

*6: w/ Power Back Door System

*7: w/ Windshield Deicer System

*8: w/ Wireless Charging System

*9: w/ Accessory Power Outlet System

*10: w/ Door Control Switch Assembly

OK  **REPLACE POWER DISTRIBUTION BOX ASSEMBLY**

NG  **REPAIR OR REPLACE HARNESS OR CONNECTOR**

