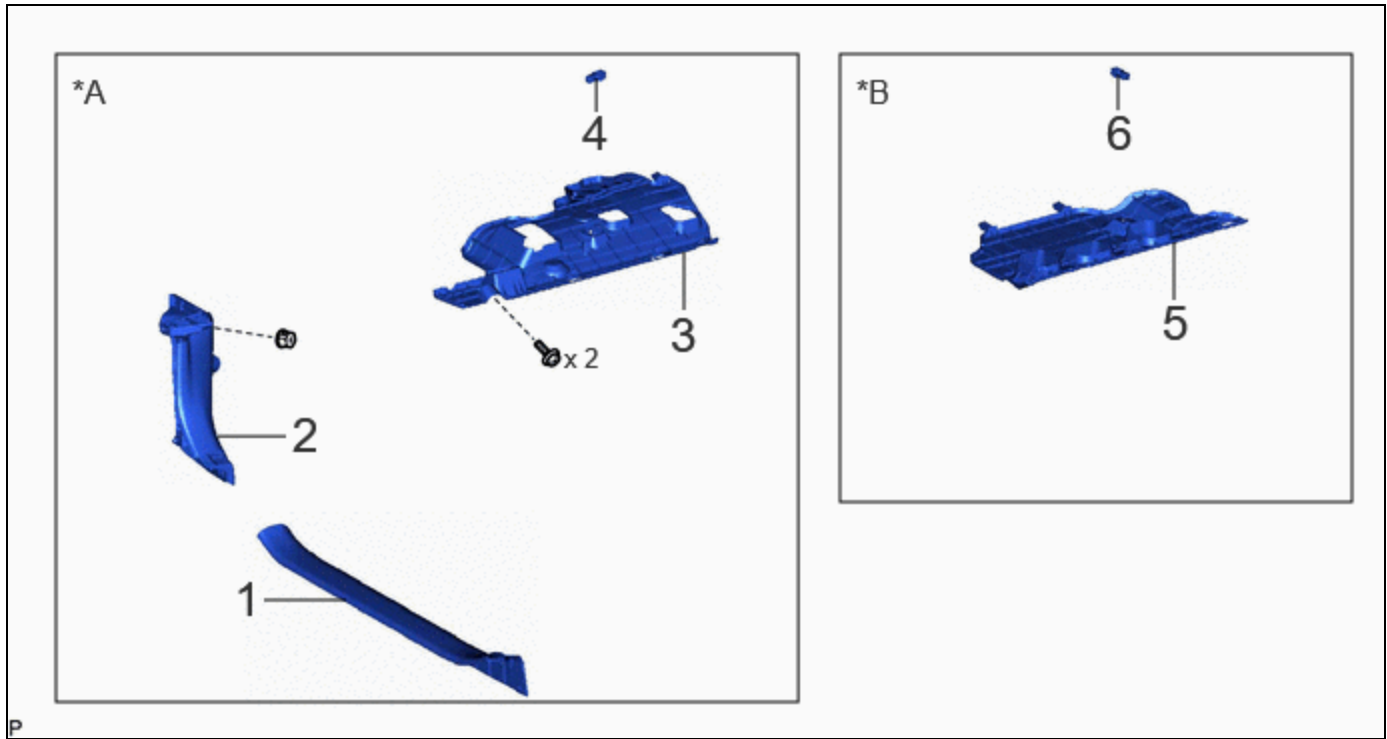


<b>Last Modified:</b> 12-04-2024	6.11:8.1.0	<b>Doc ID:</b> RM1000000029ZPP
<b>Model Year Start:</b> 2023	<b>Model:</b> Prius Prime	<b>Prod Date Range:</b> [12/2022 - ]
<b>Title:</b> LIGHTING (INT): FOOTWELL LIGHT: REMOVAL; 2023 - 2024 MY Prius Prius Prime [12/2022 - ]		

## REMOVAL

### CAUTION / NOTICE / HINT

#### COMPONENTS (REMOVAL)



	PROCEDURE	PART NAME CODE			
1	FRONT DOOR SCUFF PLATE LH	67914	-	-	-
2	COWL SIDE TRIM BOARD LH	62112	-	-	-
3	NO. 1 INSTRUMENT PANEL UNDER COVER SUB-ASSEMBLY	55606	-	-	-
4	NO. 2 INTERIOR ILLUMINATION LIGHT ASSEMBLY	81080V	-	-	-
5	NO. 2 INSTRUMENT PANEL UNDER COVER SUB-ASSEMBLY	55607	-	-	-
6	NO. 2 INTERIOR ILLUMINATION LIGHT ASSEMBLY	81080V	-	-	-

*A	for Driver Side	*B	for Front Passenger Side
----	-----------------	----	--------------------------

## PROCEDURE

### 1. REMOVE FRONT DOOR SCUFF PLATE LH (for Driver Side)

Click here [INFO](#)

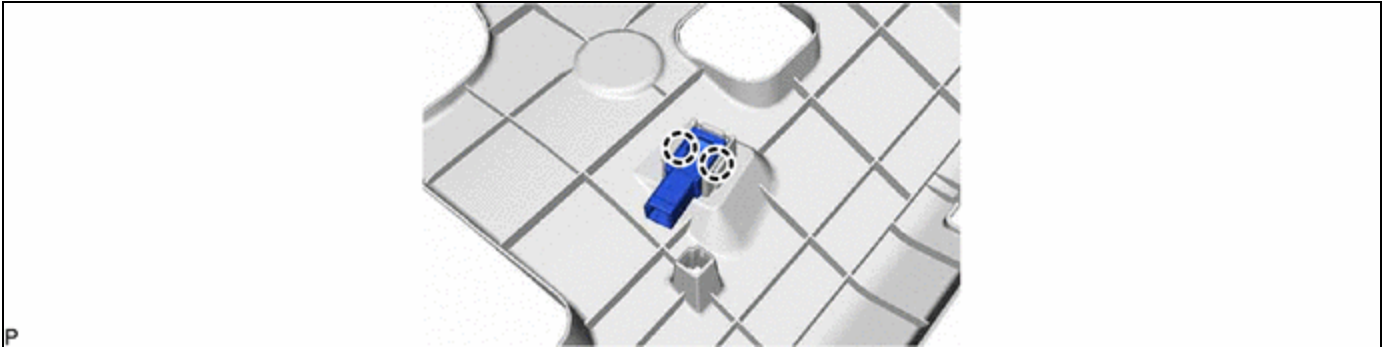
**2. REMOVE COWL SIDE TRIM BOARD LH (for Driver Side)**

Click here [INFO](#)

**3. REMOVE NO. 1 INSTRUMENT PANEL UNDER COVER SUB-ASSEMBLY (for Driver Side)**

Click here [INFO](#)

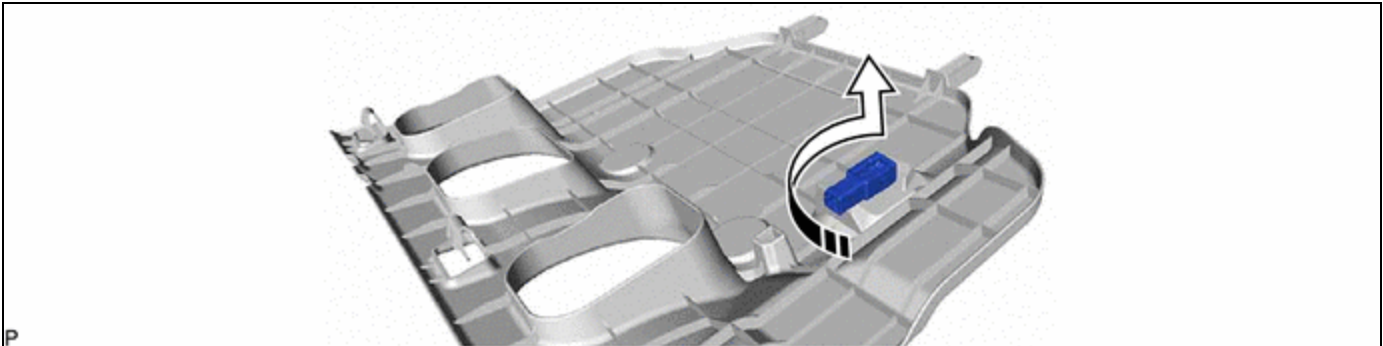
**4. REMOVE NO. 2 INTERIOR ILLUMINATION LIGHT ASSEMBLY (for Driver Side)**




**5. REMOVE NO. 2 INSTRUMENT PANEL UNDER COVER SUB-ASSEMBLY (for Front Passenger Side)**

Click here [INFO](#)

**6. REMOVE NO. 2 INTERIOR ILLUMINATION LIGHT ASSEMBLY (for Front Passenger Side)**



	Remove in this Direction	-	-
---	--------------------------	---	---

