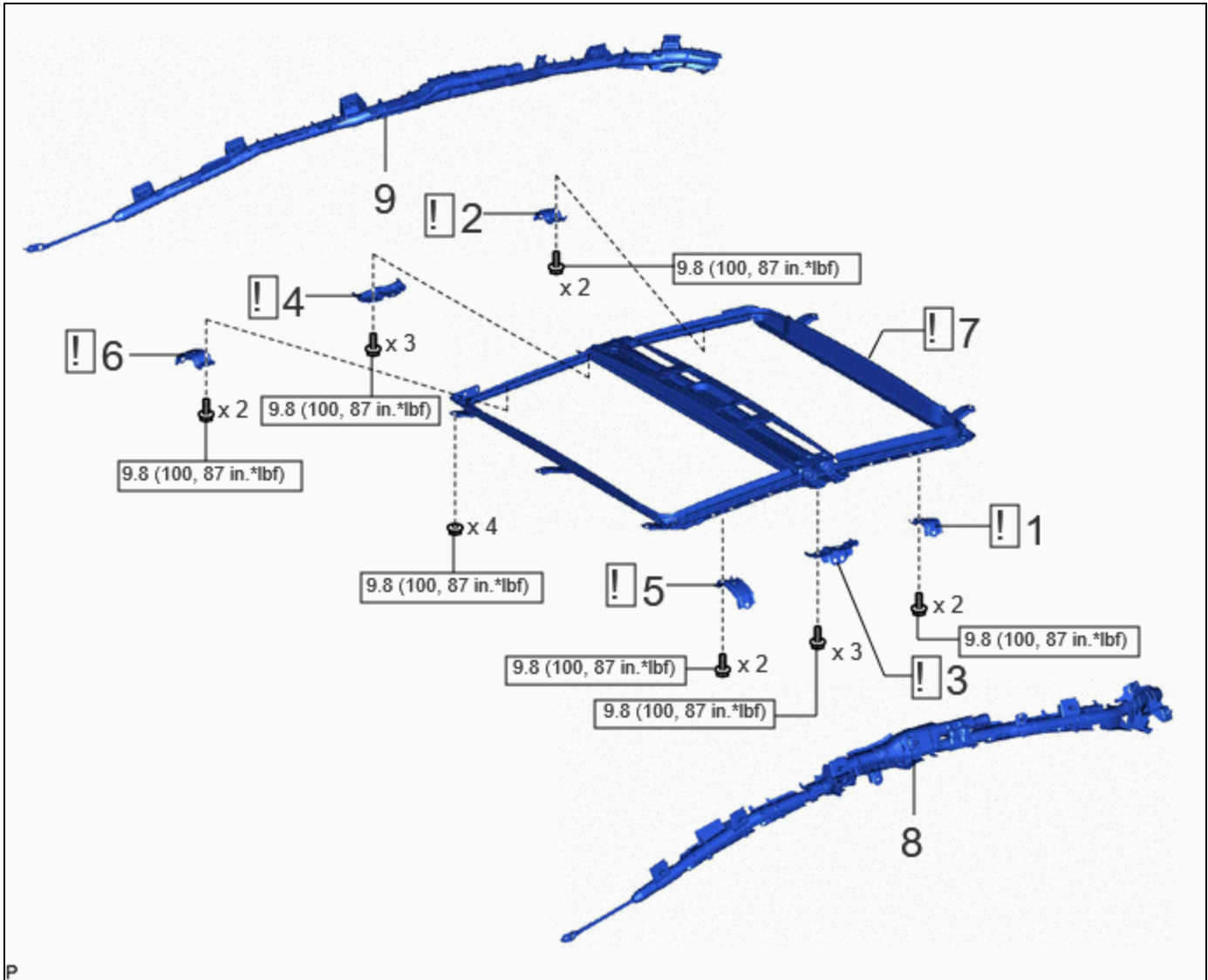


Last Modified: 12-04-2024	6.11:8.1.0	Doc ID: RM1000000029SDJ
Model Year Start: 2023	Model: Prius Prime	Prod Date Range: [12/2022 -]
Title: INTERIOR PANELS / TRIM: ROOF SUNSHADE: INSTALLATION; 2023 - 2024 MY Prius Prius Prime [12/2022 -]		




INSTALLATION

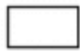
CAUTION / NOTICE / HINT

COMPONENTS (INSTALLATION)



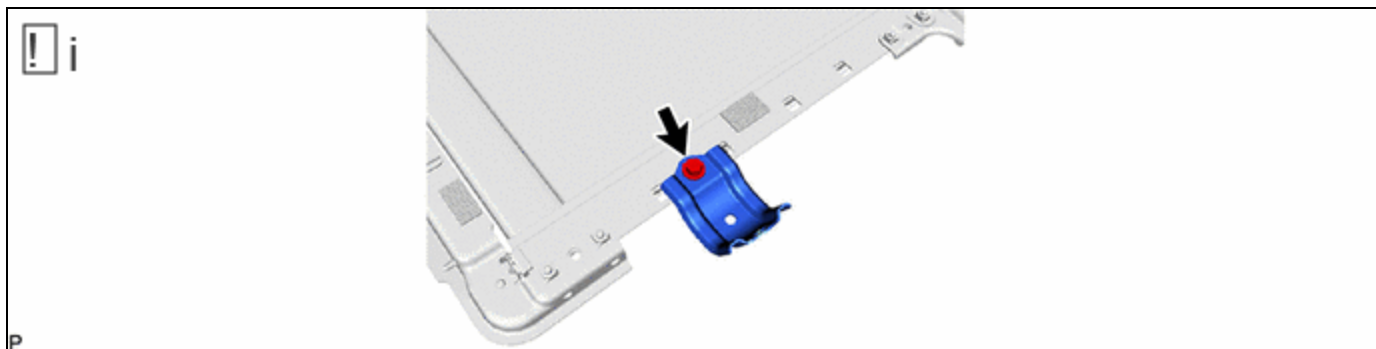
PROCEDURE		PART NAME CODE			
1	REAR SLIDING ROOF HOUSING MOUNTING BRACKET LH	-	INFO	-	-

	PROCEDURE	PART NAME CODE			
2	REAR SLIDING ROOF HOUSING MOUNTING BRACKET RH	-	INFO	-	-
3	CENTER SLIDING ROOF HOUSING MOUNTING BRACKET LH	-	INFO	-	-
4	CENTER SLIDING ROOF HOUSING MOUNTING BRACKET RH	-	INFO	-	-
5	FRONT SLIDING ROOF HOUSING MOUNTING BRACKET LH	-	INFO	-	-
6	FRONT SLIDING ROOF HOUSING MOUNTING BRACKET RH	-	INFO	-	-
7	SUNSHADE HOUSING ASSEMBLY	63250H	INFO	-	-
8	CURTAIN SHIELD AIRBAG ASSEMBLY LH	62180A	-	-	-
9	CURTAIN SHIELD AIRBAG ASSEMBLY RH	62170A	-	-	-

	N*m (kgf*cm, ft.*lbf): Specified torque	-	-
---	---	---	---

PROCEDURE

1. INSTALL REAR SLIDING ROOF HOUSING MOUNTING BRACKET LH

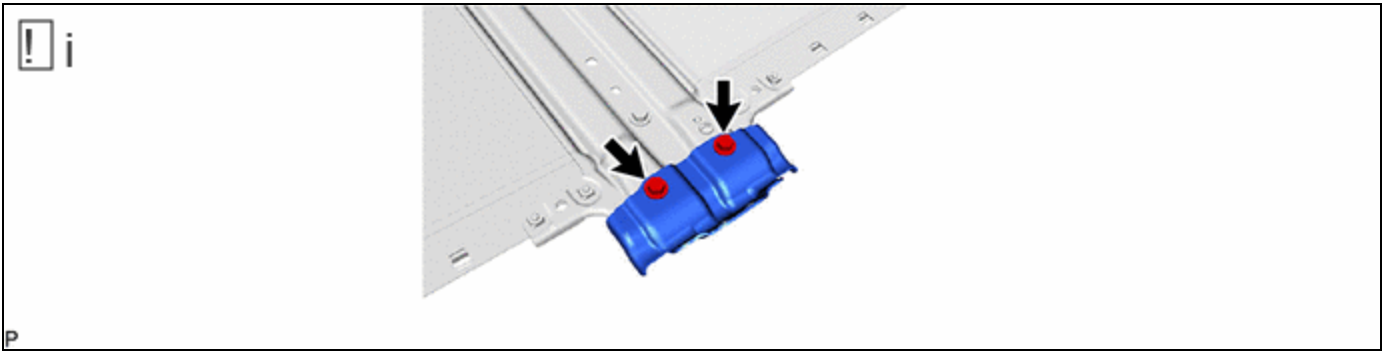


- (1) Temporarily install the rear sliding roof housing mounting bracket LH to the sunshade housing assembly with the bolt.

2. INSTALL REAR SLIDING ROOF HOUSING MOUNTING BRACKET RH

- (a) Use the same procedure as for the LH side.

3. INSTALL CENTER SLIDING ROOF HOUSING MOUNTING BRACKET LH

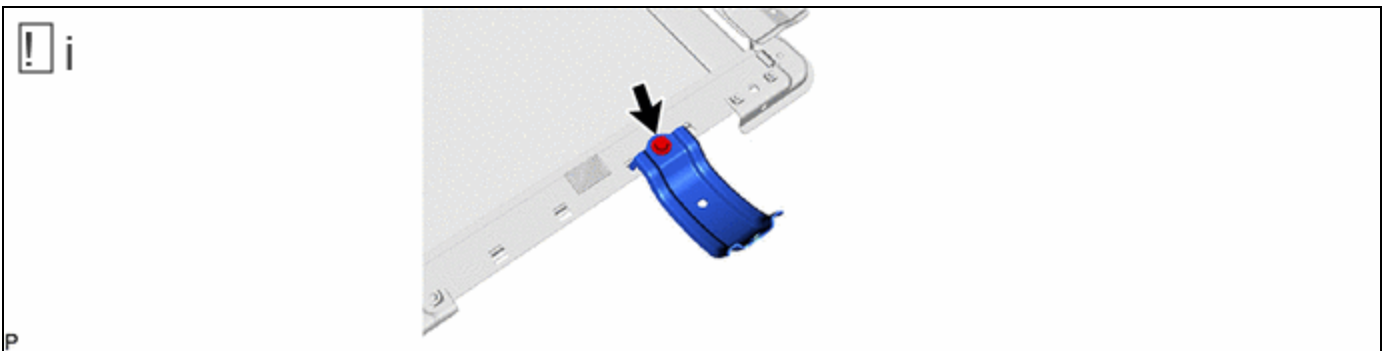


- (1) Temporarily install the center sliding roof housing mounting bracket LH to the sunshade housing assembly with the 2 bolts.

4. INSTALL CENTER SLIDING ROOF HOUSING MOUNTING BRACKET RH

- (a) Use the same procedure as for the LH side.

5. INSTALL FRONT SLIDING ROOF HOUSING MOUNTING BRACKET LH

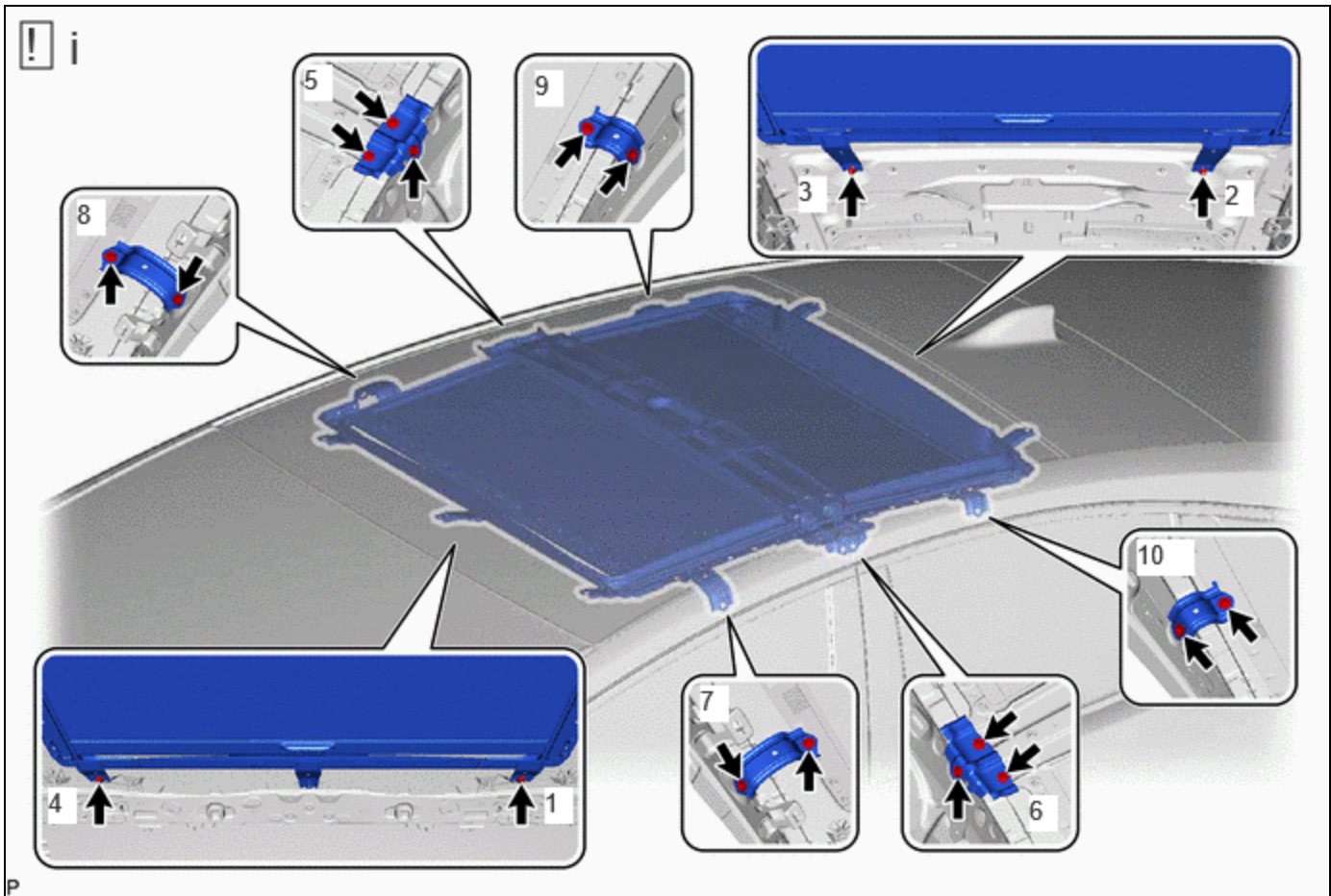


- (1) Temporarily install the front sliding roof housing mounting bracket LH to the sunshade housing assembly with the bolt.

6. INSTALL FRONT SLIDING ROOF HOUSING MOUNTING BRACKET RH

- (a) Use the same procedure as for the LH side.

7. INSTALL SUNSHADE HOUSING ASSEMBLY



(1) Temporarily install the sunshade housing assembly with the 4 nuts and 6 bolts.

(2) Tighten the 4 nuts and 14 bolts to install the sunshade housing assembly.

HINT:

Tighten the nuts and bolts in the order shown in the illustration.

Torque:

9.8 N·m {100 kgf·cm, 87 in·lbf}

8. INSTALL CURTAIN SHIELD AIRBAG ASSEMBLY LH

Click here [INFO](#)

9. INSTALL CURTAIN SHIELD AIRBAG ASSEMBLY RH

(a) Use the same procedure as for the LH side.

