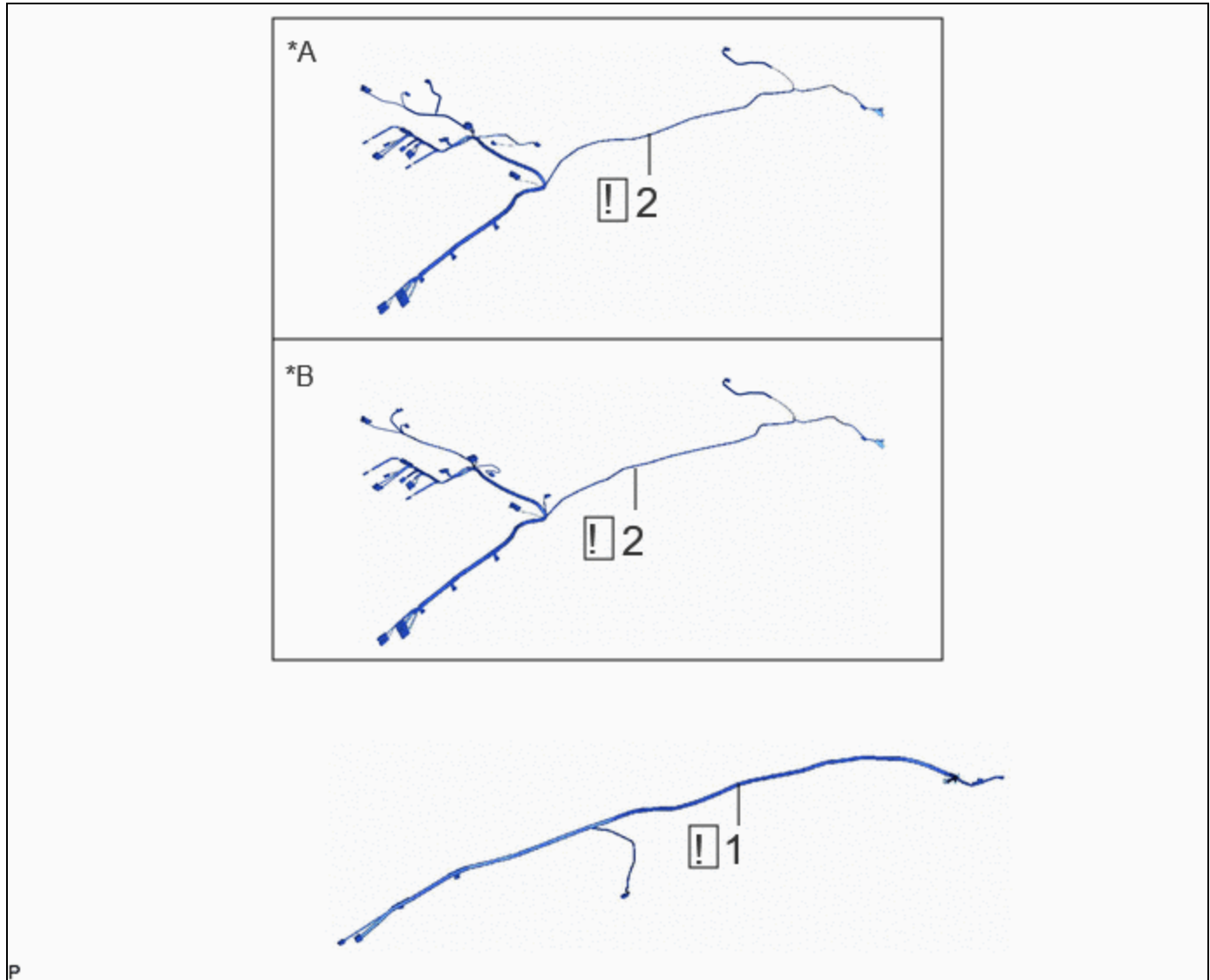


<b>Last Modified:</b> 12-04-2024	6.11:8.1.0	<b>Doc ID:</b> RM1000000029SDD
<b>Model Year Start:</b> 2023	<b>Model:</b> Prius Prime	<b>Prod Date Range:</b> [12/2022 - ]
<b>Title:</b> INTERIOR PANELS / TRIM: ROOF HEADLINING: REASSEMBLY; 2023 - 2024 MY Prius Prius Prime [12/2022 - ]		

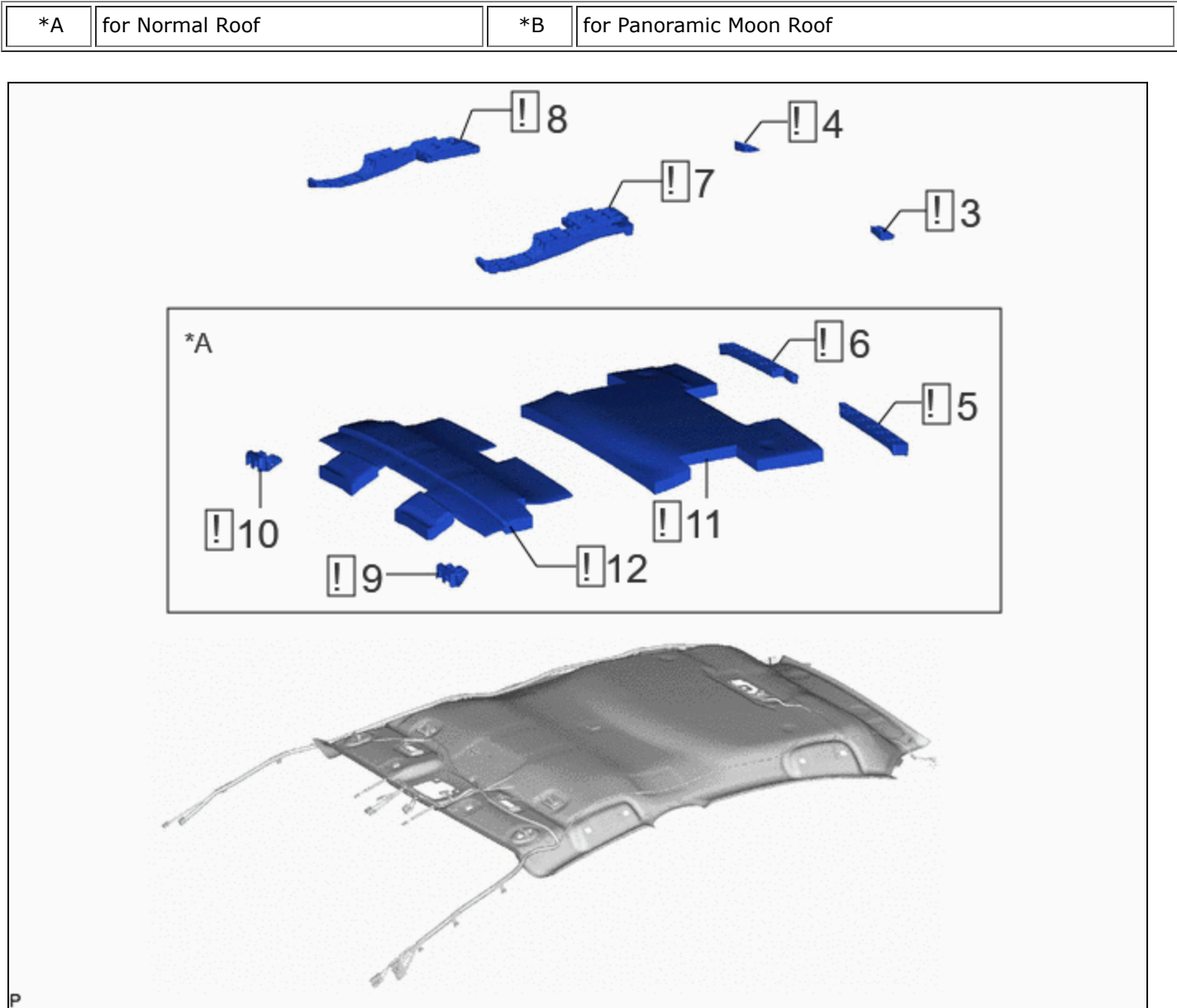
## REASSEMBLY



### CAUTION / NOTICE / HINT




#### COMPONENTS (REASSEMBLY)



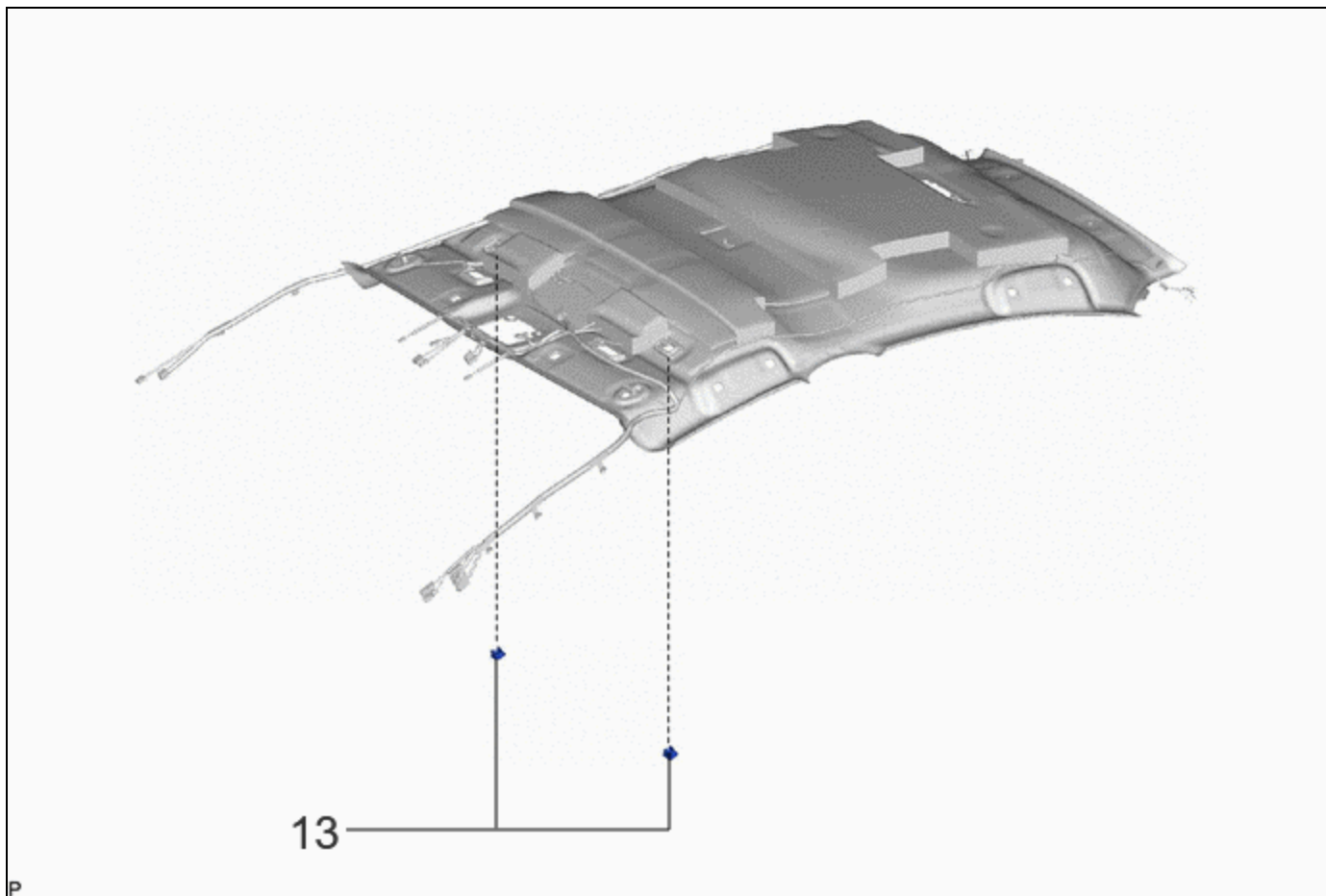
	PROCEDURE	PART NAME CODE			
1	NO. 3 ANTENNA CORD SUB-ASSEMBLY	86101D	<a href="#">INFO</a>	-	-
2	NO. 1 ROOF WIRE	82171	<a href="#">INFO</a>	-	-






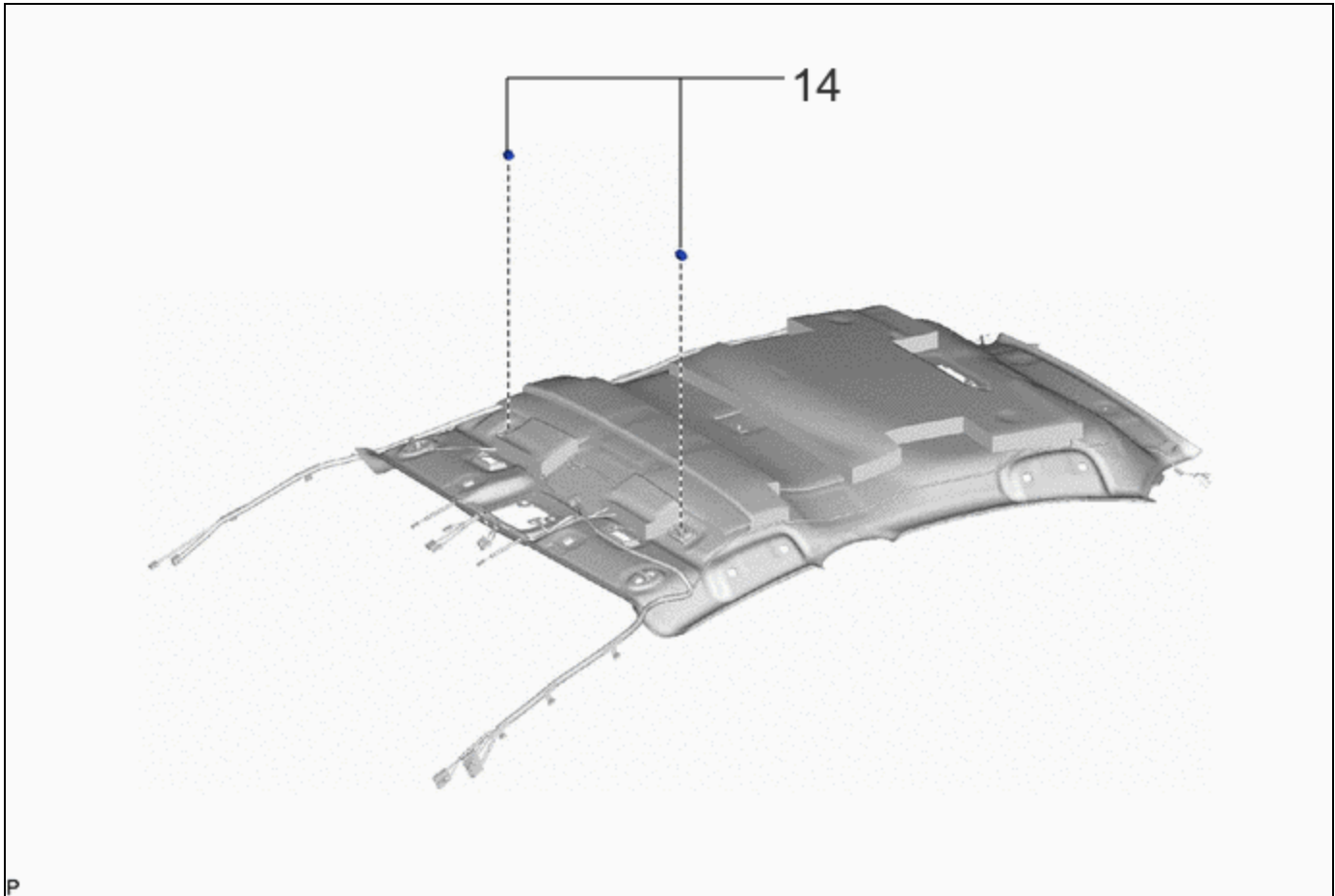
	PROCEDURE	PART NAME CODE	!		
3	ROOF HEADLINING PAD LH	63356B	<a href="#">INFO</a>	-	-
4	ROOF HEADLINING PAD RH	63355C	<a href="#">INFO</a>	-	-
5	NO. 2 ROOF HEADLINING PAD	63352D	<a href="#">INFO</a>	-	-
6	ROOF HEADLINING PAD	63351B	<a href="#">INFO</a>	-	-
7	NO. 2 ROOF HEADLINING SET PLATE LH	63368B	<a href="#">INFO</a>	-	-
8	NO. 2 ROOF HEADLINING SET PLATE RH	63367B	<a href="#">INFO</a>	-	-
9	FRONT SIDE RAIL SPACER LH	66423	<a href="#">INFO</a>	-	-
10	FRONT SIDE RAIL SPACER RH	66413B	<a href="#">INFO</a>	-	-
11	NO. 2 ROOF SILENCER PAD	63342	<a href="#">INFO</a>	-	-

PROCEDURE		PART NAME CODE			
12	NO. 1 ROOF SILENCER PAD	63341	<a href="#">INFO</a>	-	-

*A	for Normal Roof	-	-
----	-----------------	---	---



PROCEDURE		PART NAME CODE			
13	MICROPHONE CASE	86255F	-	-	-



PROCEDURE		PART NAME CODE			
14	TELEPHONE MICROPHONE ASSEMBLY	86730A	-	-	-

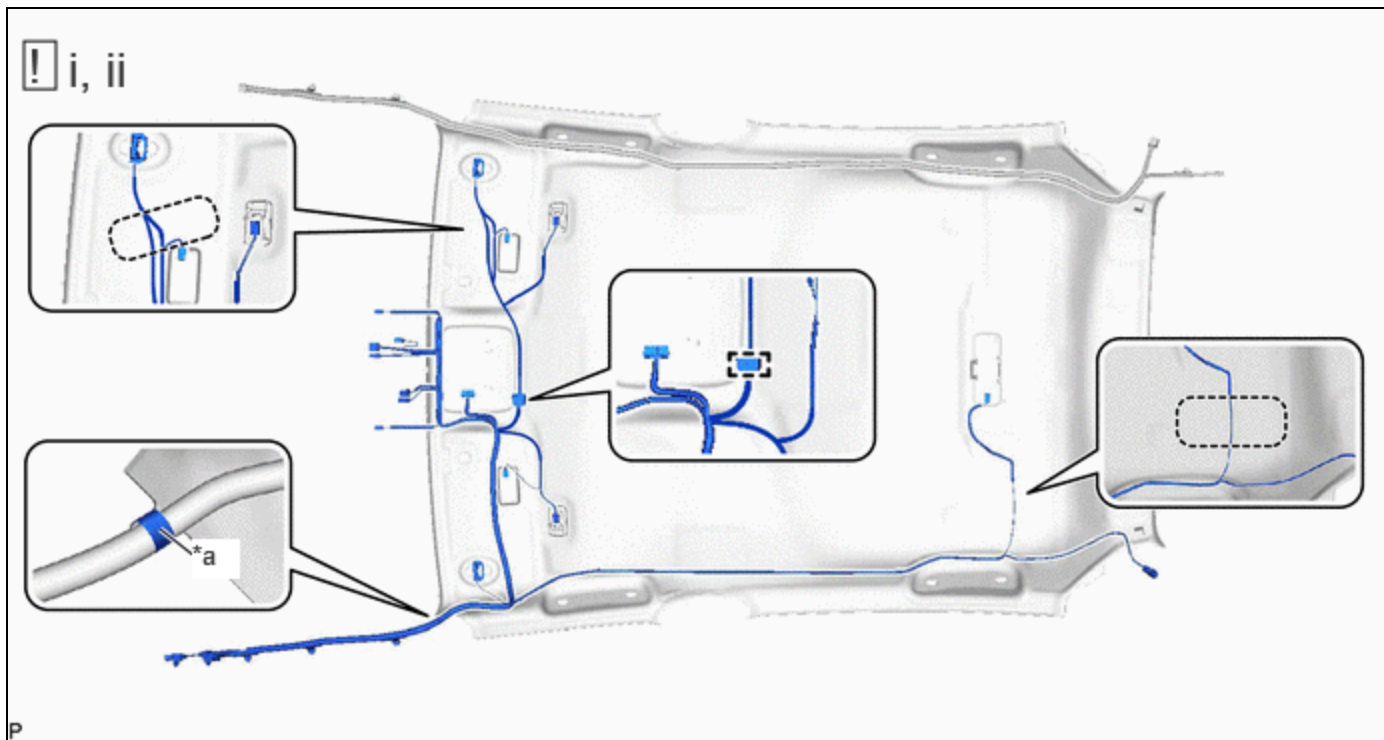
## PROCEDURE

### 1. INSTALL NO. 3 ANTENNA CORD SUB-ASSEMBLY

	Click here <a href="#">INFO</a>
--	---------------------------------

### 2. INSTALL NO. 1 ROOF WIRE

(a) for Normal Roof:



*a	Marking Tape	-	-
	Adjustment Area	-	-

(1) 1. Engage the clamp.

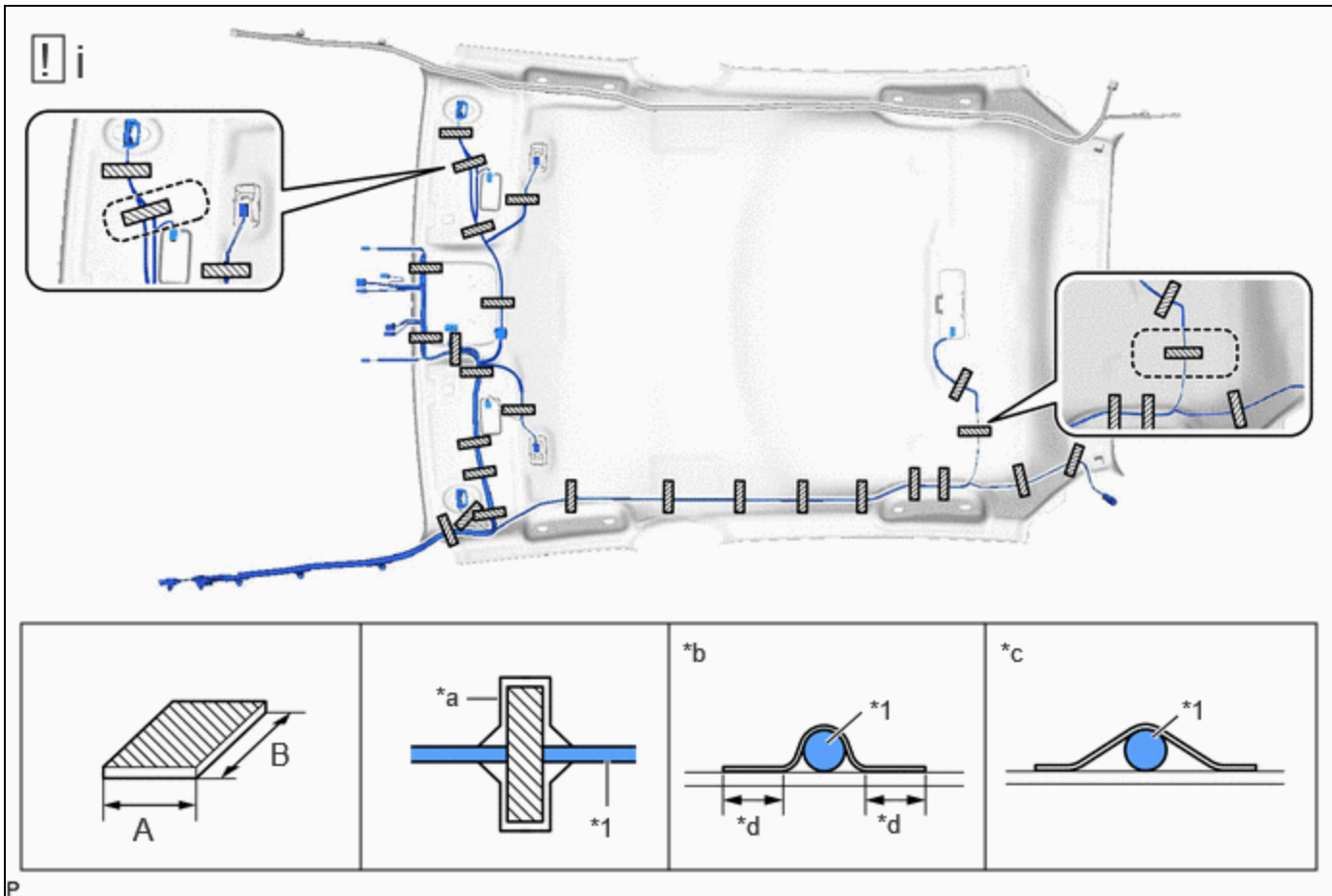
2. Align the marking tape on the No. 1 roof wire with the vehicle front side tab of the roof headlining assembly.


**NOTICE:**

- Securely attach the No. 1 roof wire.
- If any of the No. 1 roof wire is left loose, it will cause an abnormal noise.
- Make sure to attach the No. 1 roof wire without leaving any of it loose.

**HINT:**

Secure the extra length of the No. 1 roof wire in the adjustment area.



*1	No. 1 Roof Wire	-	-
*a	Marking	*b	Correct
*c	Incorrect	*d	10 mm (0.394 in.) or more
	Adhesive Tape	-	-

(2) 1. Install the No. 1 roof wire to the roof headlining assembly with adhesive tape.

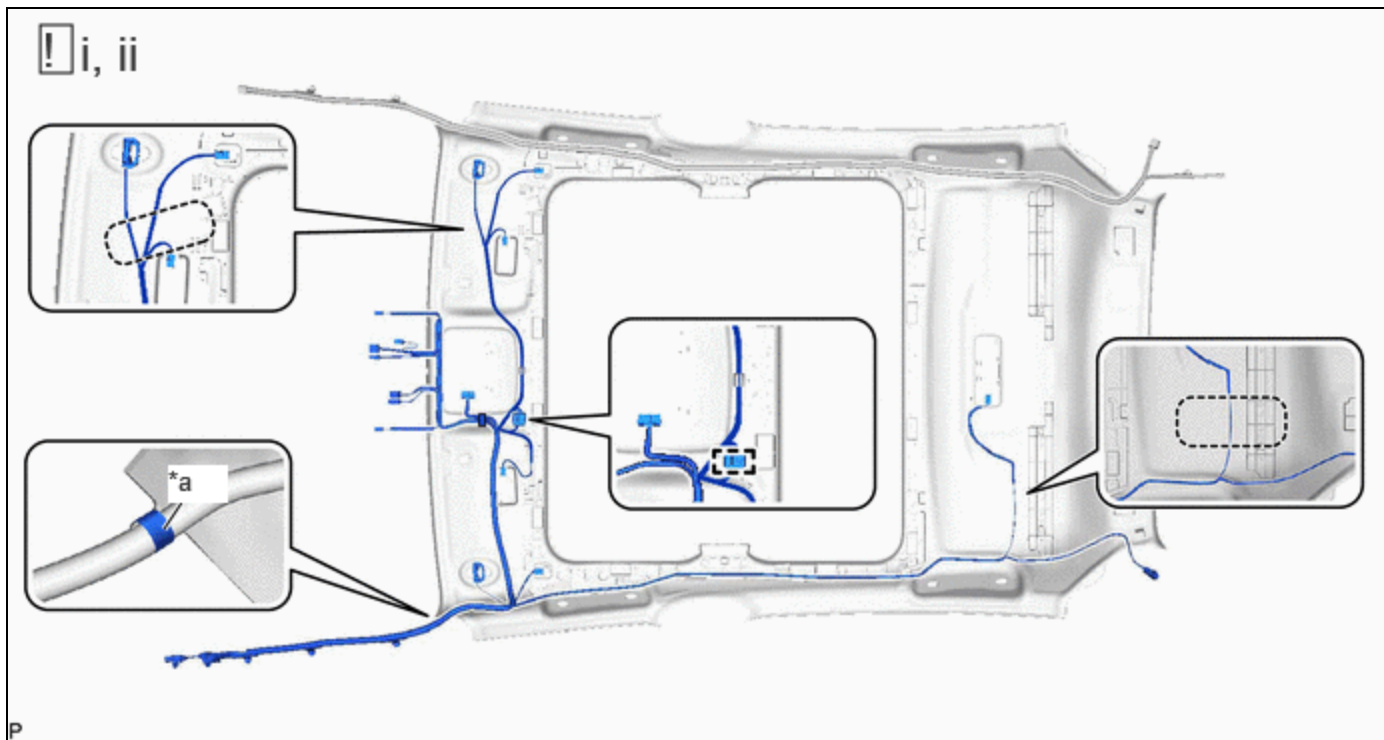
**Adhesive Tape Size**


AREA	DIMENSION	AREA	DIMENSION
A	20 mm (0.787 in.)	B	80 mm (3.15 in.)

**NOTICE:**

- Apply the tape securely in place.
- Do not touch the adhesive surface when applying the tape to prevent adhesion failure.

(b) for Panoramic Moon Roof:



*a	Marking Tape	-	-
	Adjustment Area	-	-

(1) 1. Engage the clamp.

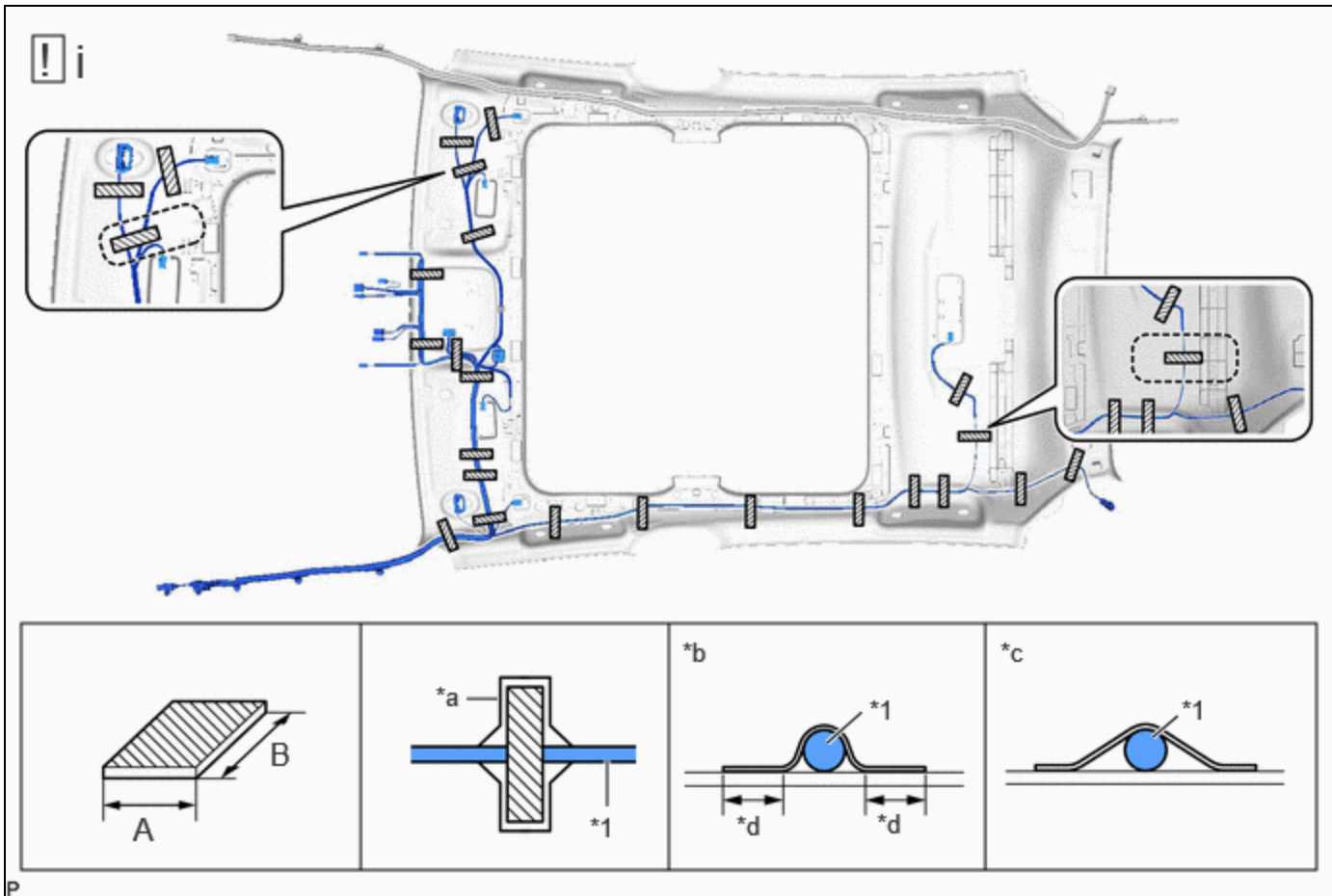
2. Align the marking tape on the No. 1 roof wire with the vehicle front side tab of the roof headlining assembly.


**NOTICE:**

- Securely attach the No. 1 roof wire.
- If any of the No. 1 roof wire is left loose, it will cause an abnormal noise.
- Make sure to attach the No. 1 roof wire without leaving any of it loose.

**HINT:**

Secure the extra length of the No. 1 roof wire in the adjustment area.



*1	No. 1 Roof Wire	-	-
*a	Marking	*b	Correct
*c	Incorrect	*d	10 mm (0.394 in.) or more
	Adhesive Tape	-	-

(2) 1. Install the No. 1 roof wire to the roof headlining assembly with adhesive tape.

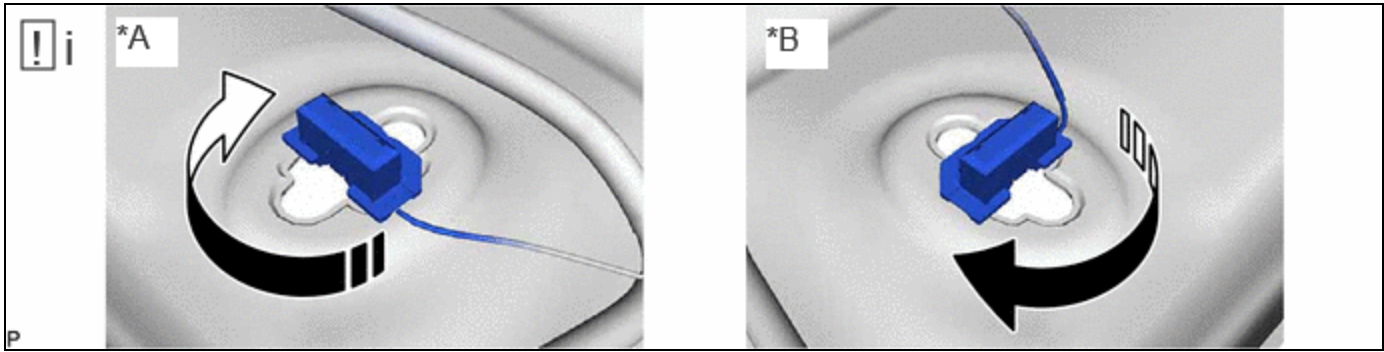
**Adhesive Tape Size**

AREA	DIMENSION	AREA	DIMENSION
A	20 mm (0.787 in.)	B	80 mm (3.15 in.)

**NOTICE:**

- Apply the tape securely in place.
- Do not touch the adhesive surface when applying the tape to prevent adhesion failure.

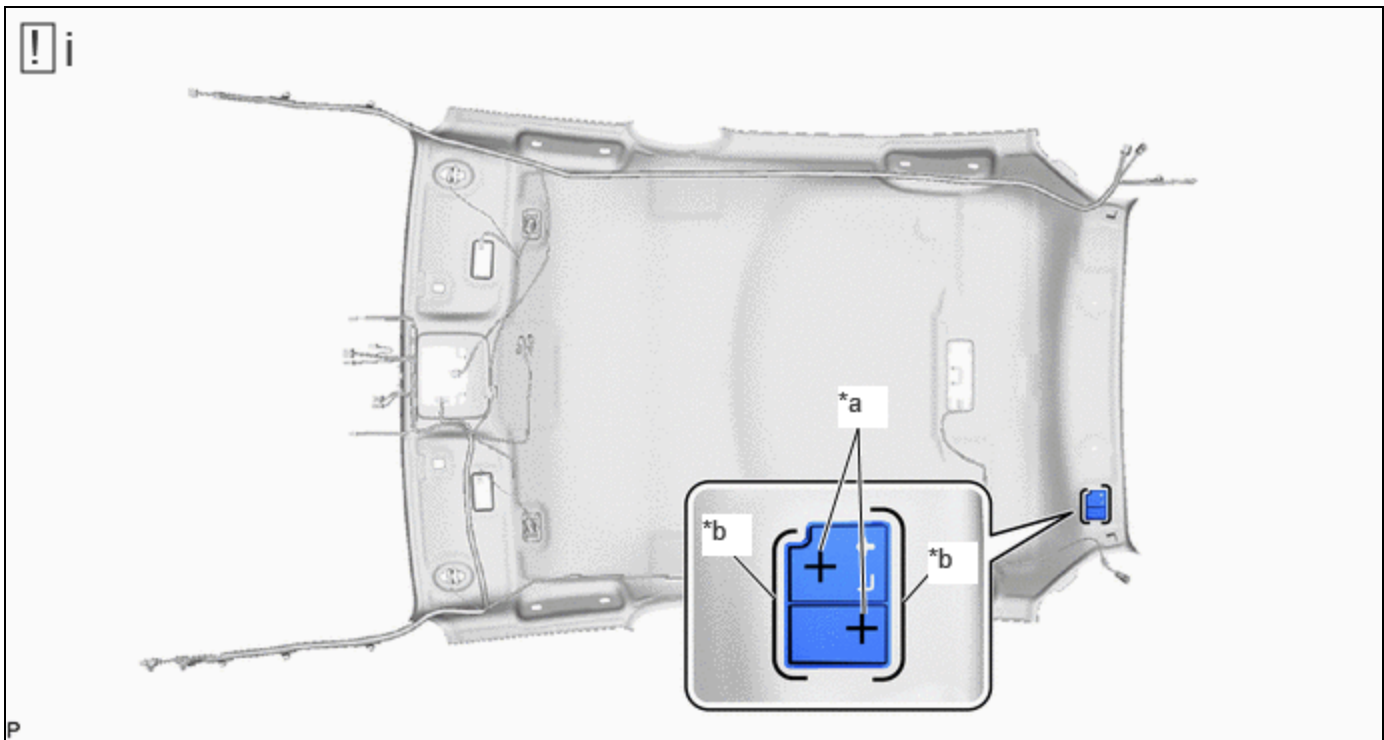




*A	for LH side	*B	for RH side
	Rotation Direction	-	-

(1) Turn the 2 visor connectors clockwise approximately 90° to install them to the roof headlining assembly.

**3. INSTALL ROOF HEADLINING PAD LH**



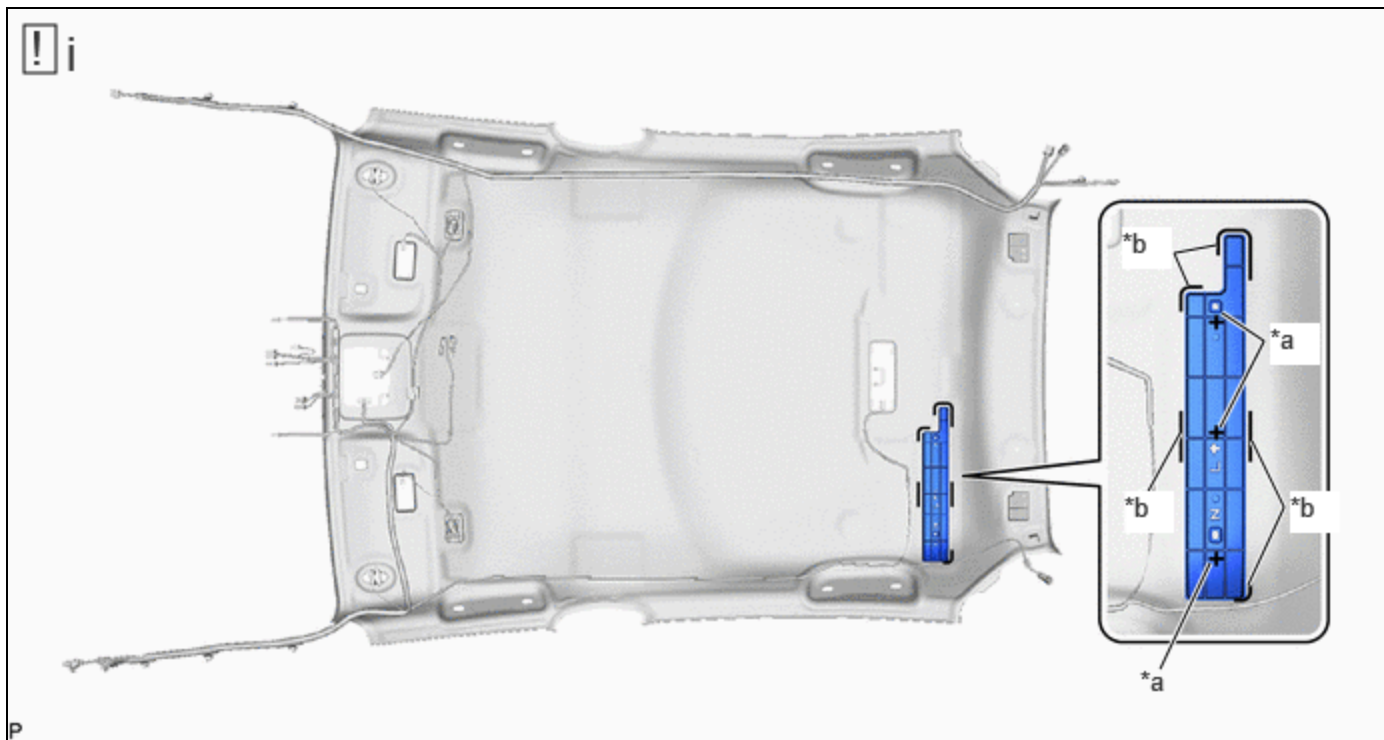
*a	Hot-melt Glue	*b	Marking
----	---------------	----	---------

(1) Align the roof headlining pad LH with the markings on the roof headlining assembly and install it using hot-melt glue as shown in the illustration.

**4. INSTALL ROOF HEADLINING PAD RH**

(a) Use the same procedure as for the LH side.

**5. INSTALL NO. 2 ROOF HEADLINING PAD (for Normal Roof)**



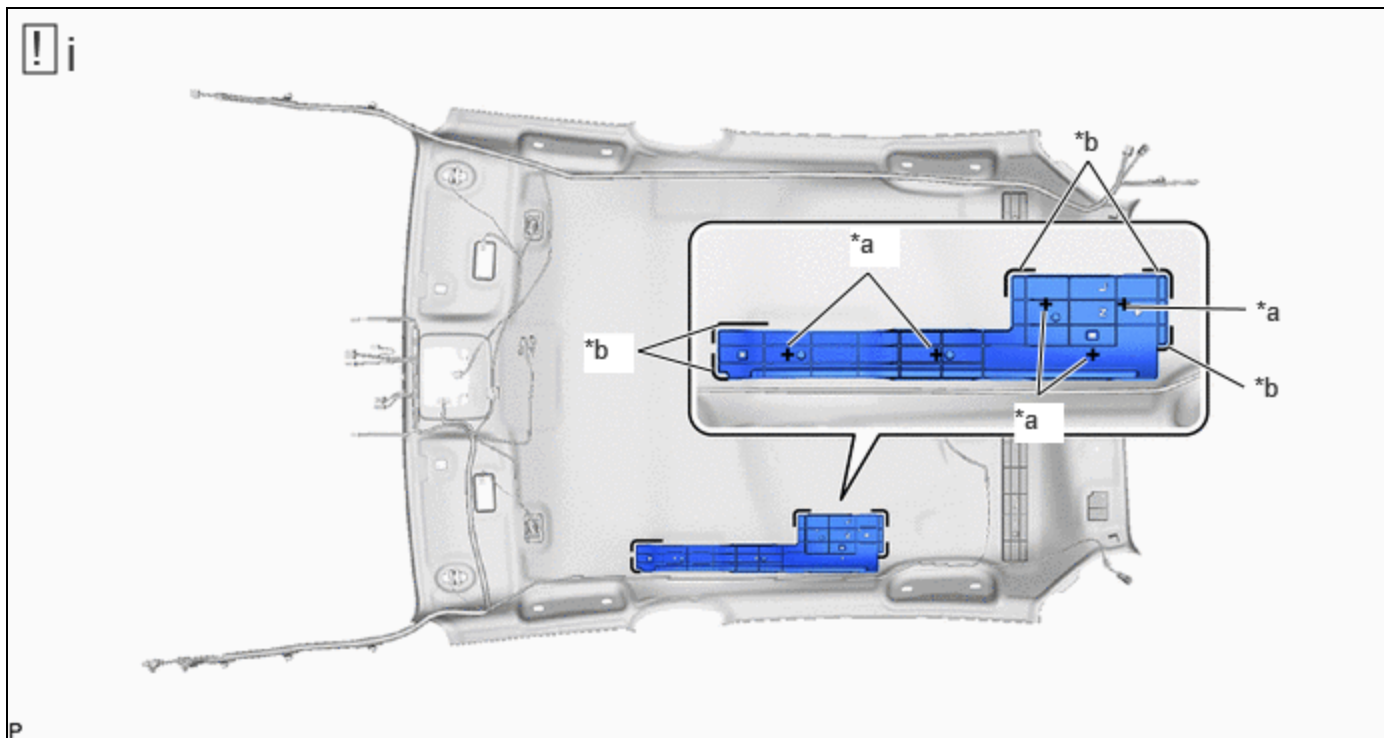
*a	Hot-melt Glue	*b	Marking
----	---------------	----	---------

(1) Align the No. 2 roof headlining pad with the markings on the roof headlining assembly and install it using hot-melt glue as shown in the illustration.

**6. INSTALL ROOF HEADLINING PAD (for Normal Roof)**

(a) Use the same procedure as for the No. 2 roof headlining pad.

**7. INSTALL NO. 2 ROOF HEADLINING SET PLATE LH**



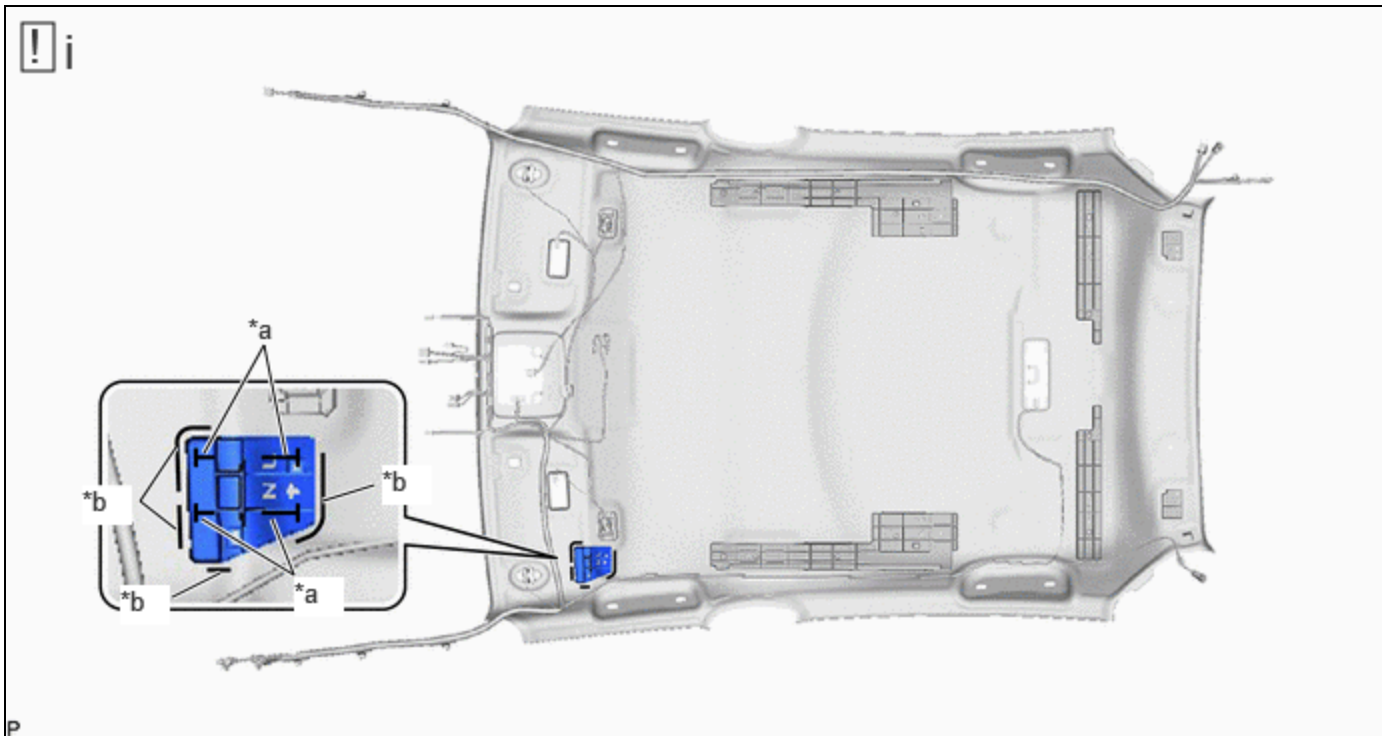
*a	Hot-melt Glue	*b	Marking
----	---------------	----	---------

- (1) Align the No. 2 roof headlining set plate LH with the markings on the roof headlining assembly and install it using hot-melt glue as shown in the illustration.

## 8. INSTALL NO. 2 ROOF HEADLINING SET PLATE RH

- (a) Use the same procedure as for the LH side.

## 9. INSTALL FRONT SIDE RAIL SPACER LH (for Normal Roof)



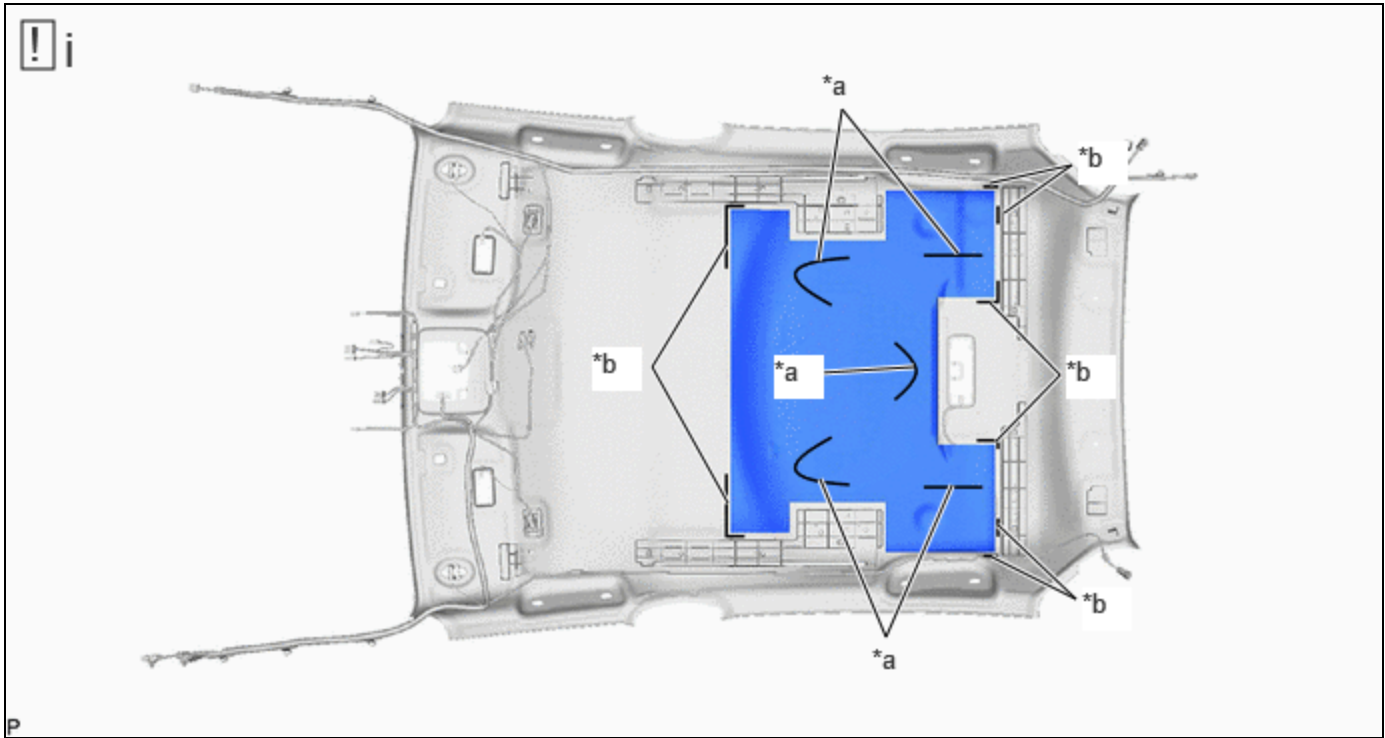
*a	Hot-melt Glue	*b	Marking
----	---------------	----	---------

- (1) Align the front side rail spacer LH with the markings on the roof headlining assembly and install it using hot-melt glue as shown in the illustration.

## 10. INSTALL FRONT SIDE RAIL SPACER RH (for Normal Roof)

- (a) Use the same procedure as for the LH side.

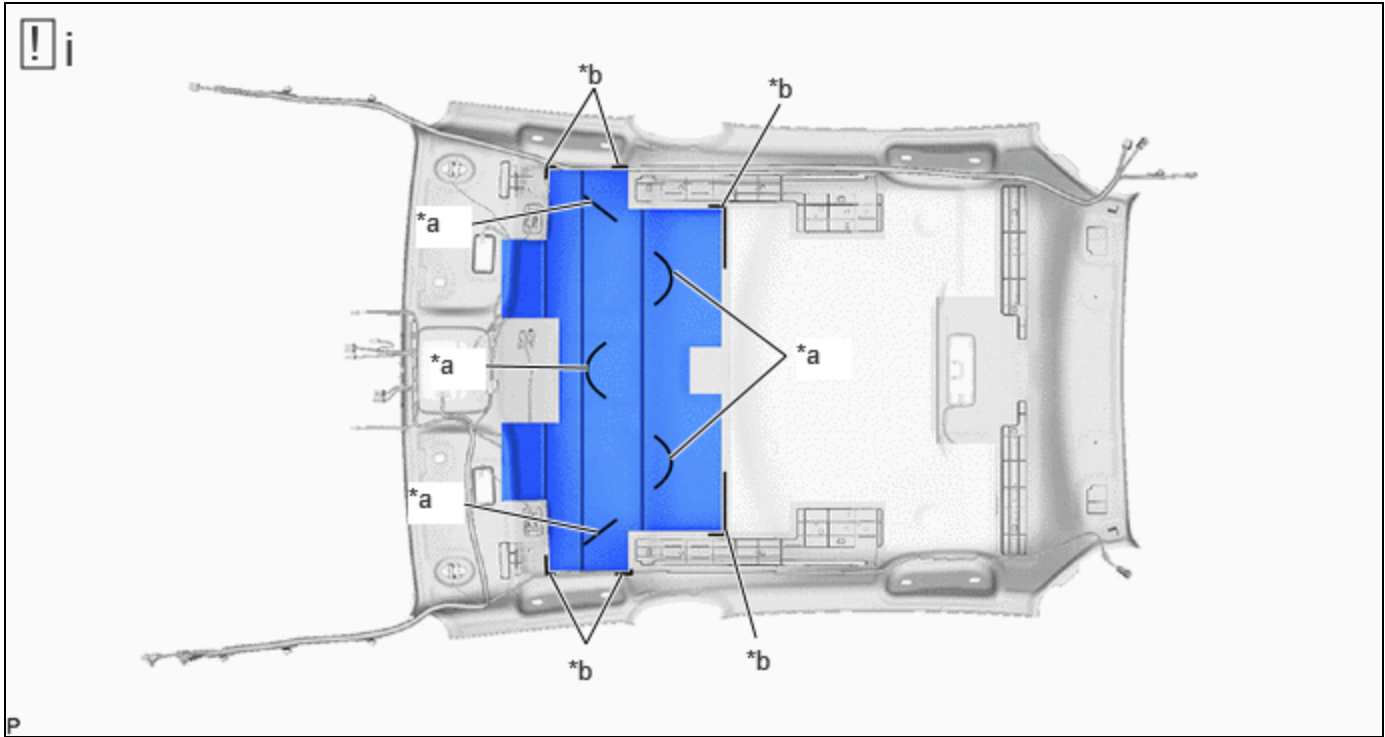
## 11. INSTALL NO. 2 ROOF SILENCER PAD (for Normal Roof)



*a	Hot-melt Glue	*b	Marking
----	---------------	----	---------

(1) Align the No. 2 roof silencer pad with the markings on the roof headlining assembly and install it using hot-melt glue as shown in the illustration.

**12. INSTALL NO. 1 ROOF SILENCER PAD (for Normal Roof)**



*a	Hot-melt Glue	*b	Marking
----	---------------	----	---------

(1) Align the No. 1 roof silencer pad with the markings on the roof headlining assembly and install it using hot-melt glue as shown in the illustration.

**13. INSTALL MICROPHONE CASE**

## 14. INSTALL TELEPHONE MICROPHONE ASSEMBLY

