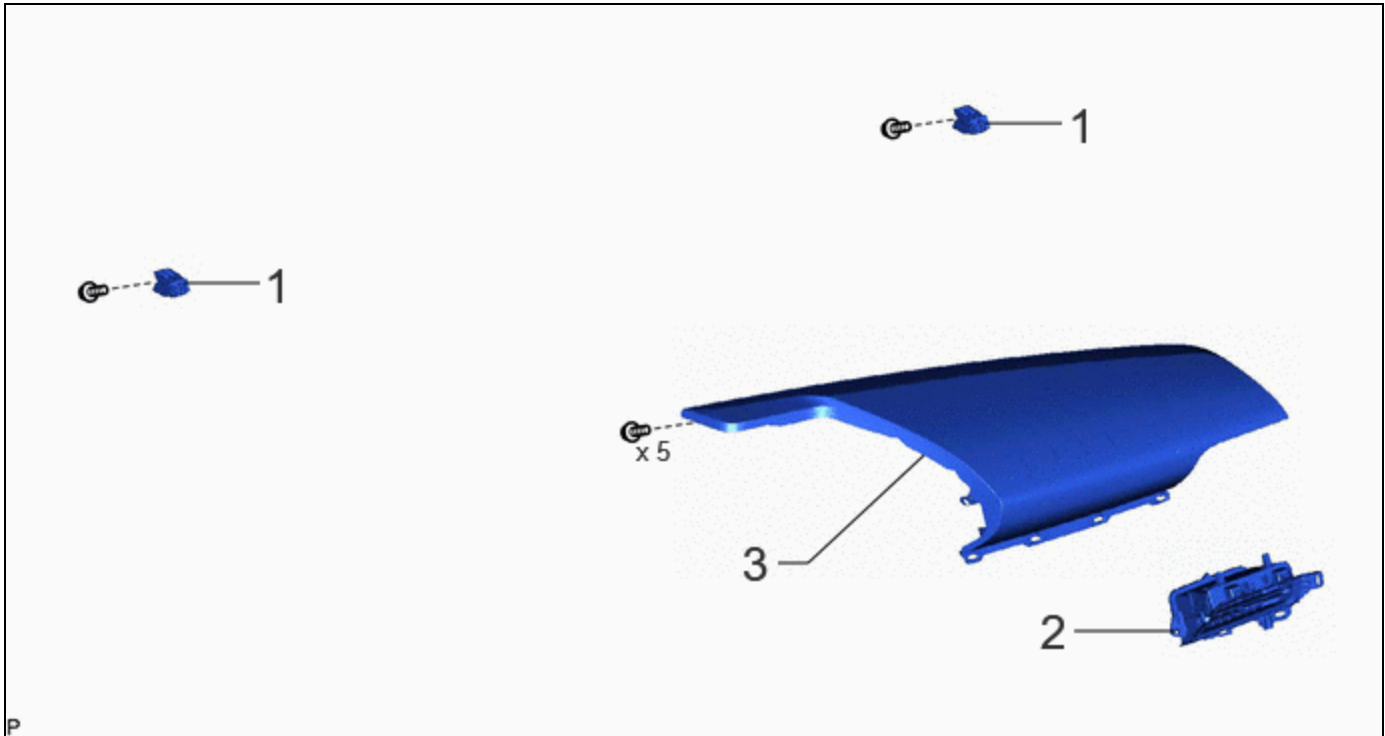





Last Modified: 12-04-2024	6.11:8.1.0	Doc ID: RM100000002907K
Model Year Start: 2023	Model: Prius Prime	Prod Date Range: [12/2022 -]
Title: INTERIOR PANELS / TRIM: INSTRUMENT PANEL SAFETY PAD: REASSEMBLY; 2023 - 2024 MY Prius Prius Prime [12/2022 -]		

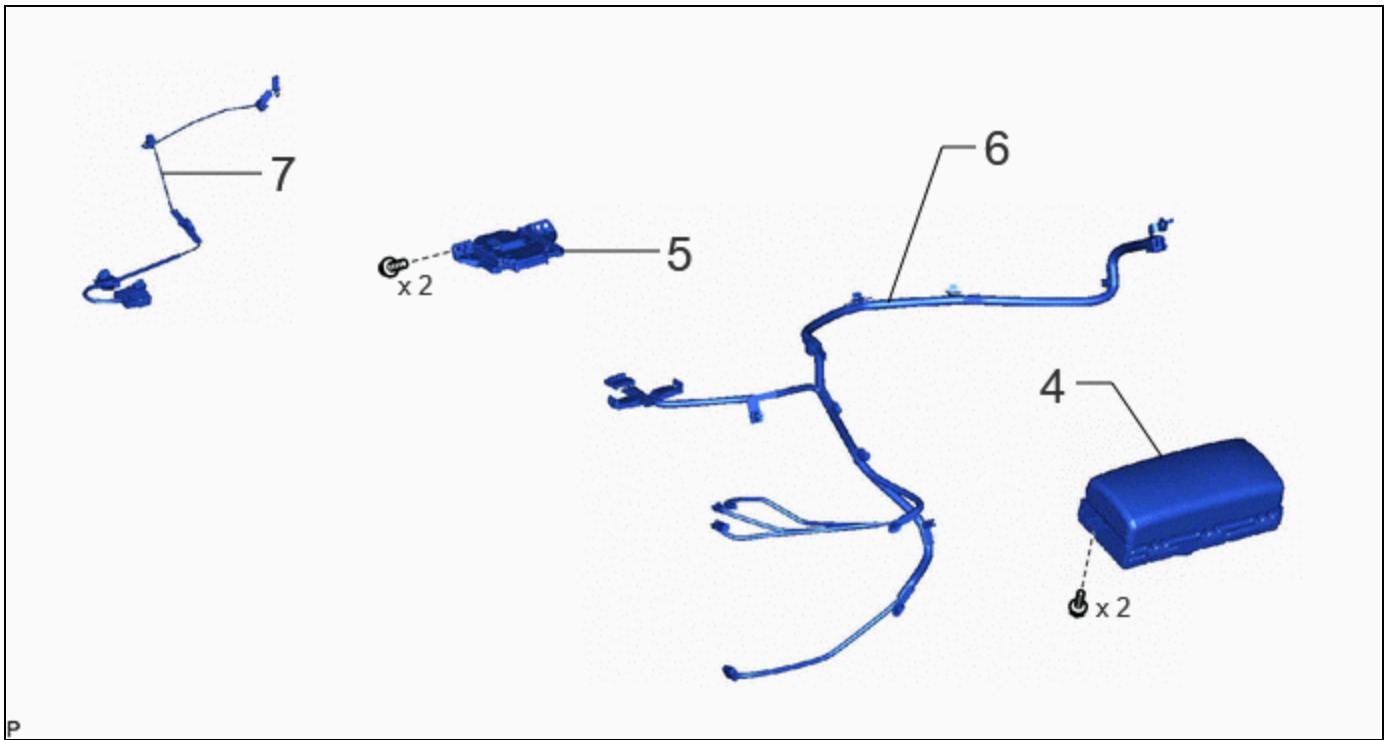
REASSEMBLY

CAUTION / NOTICE / HINT

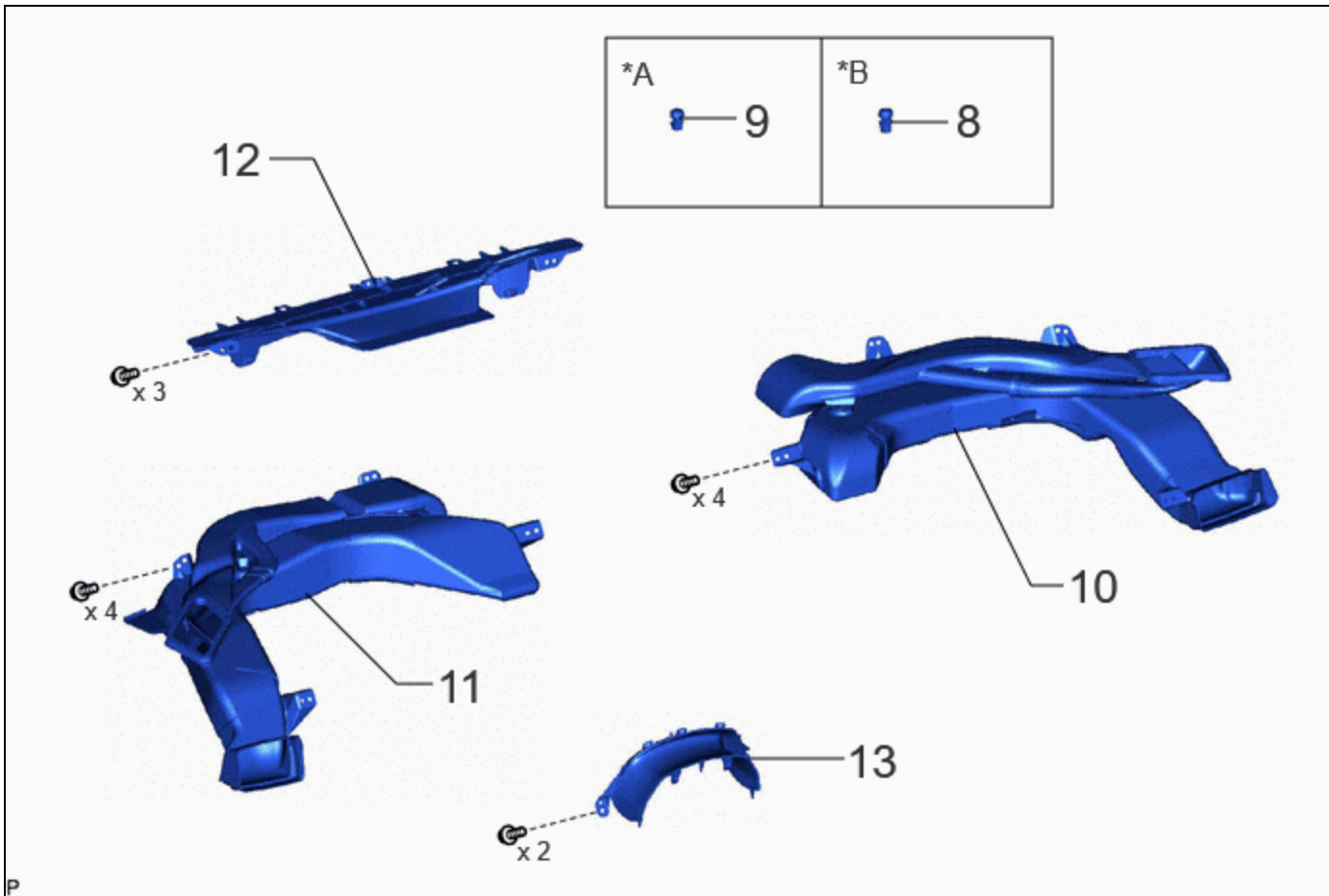
COMPONENTS (REASSEMBLY)



	PROCEDURE	PART NAME CODE			
1	NO. 1 INSTRUMENT PANEL PIN	55328	-	-	-
2	NO. 2 INSTRUMENT PANEL REGISTER ASSEMBLY	55660	-	-	-
3	NO. 1 INSTRUMENT PANEL SAFETY PAD SUB-ASSEMBLY	55402D	-	-	-



	PROCEDURE	PART NAME CODE			
4	INSTRUMENT PANEL PASSENGER AIRBAG ASSEMBLY	73960A	-	-	-
5	NAVIGATION ANTENNA ASSEMBLY WITH BRACKET	-	-	-	-
6	ANTENNA CORD SUB-ASSEMBLY	86101T	-	-	-
7	NO. 2 INSTRUMENT PANEL WIRE	82142	-	-	-



PROCEDURE		PART NAME CODE			
8	AUTOMATIC LIGHT CONTROL SENSOR	89120A	-	-	-
9	COOLER (SOLAR SENSOR) THERMISTOR	88625H	-	-	-
10	NO. 2 HEATER TO REGISTER DUCT SUB-ASSEMBLY	55085	-	-	-
11	NO. 1 HEATER TO REGISTER DUCT SUB-ASSEMBLY	55084E	-	-	-
12	DEFROSTER NOZZLE ASSEMBLY	55950G	-	-	-
13	LOWER INSTRUMENT COVER SUB-ASSEMBLY	55407C	-	-	-

*A	w/o Automatic Light Control System	*B	w/ Automatic Light Control System
----	------------------------------------	----	-----------------------------------

PROCEDURE

1. INSTALL NO. 1 INSTRUMENT PANEL PIN
2. INSTALL NO. 2 INSTRUMENT PANEL REGISTER ASSEMBLY
3. INSTALL NO. 1 INSTRUMENT PANEL SAFETY PAD SUB-ASSEMBLY
4. INSTALL INSTRUMENT PANEL PASSENGER AIRBAG ASSEMBLY
5. INSTALL NAVIGATION ANTENNA ASSEMBLY WITH BRACKET

6. INSTALL ANTENNA CORD SUB-ASSEMBLY**7. INSTALL NO. 2 INSTRUMENT PANEL WIRE****8. INSTALL AUTOMATIC LIGHT CONTROL SENSOR (w/ Automatic Light Control System)****9. INSTALL COOLER (SOLAR SENSOR) THERMISTOR (w/o Automatic Light Control System)****10. INSTALL NO. 2 HEATER TO REGISTER DUCT SUB-ASSEMBLY****11. INSTALL NO. 1 HEATER TO REGISTER DUCT SUB-ASSEMBLY****12. INSTALL DEFROSTER NOZZLE ASSEMBLY****13. INSTALL LOWER INSTRUMENT COVER SUB-ASSEMBLY**