

Last Modified: 12-04-2024	6.11:8.1.0	Doc ID: RM10000002907M
Model Year Start: 2023	Model: Prius Prime	Prod Date Range: [12/2022 -]
Title: INTERIOR PANELS / TRIM: INSTRUMENT PANEL SAFETY PAD: PRECAUTION; 2023 - 2024 MY Prius Prius Prime [12/2022 -]		

PRECAUTION

PRECAUTION FOR VEHICLE WITH SRS AIRBAG AND SEAT BELT PRETENSIONER

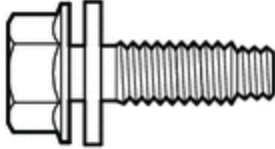
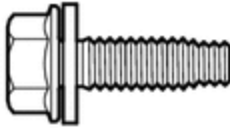
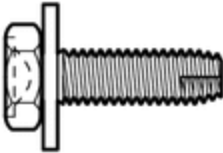
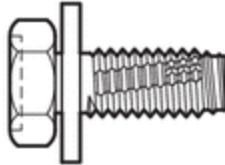
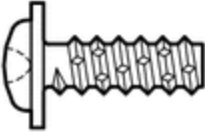
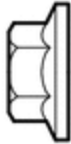
(a) Some operations in this section may affect the SRS parts. Prior to performing the corresponding operations, read the precautions regarding the SRS parts.

Click here [INFO](#)

TABLE OF BOLT, SCREW AND NUT

HINT:

All bolts, screws and nuts relevant to installing and removing the instrument panel are shown along with their alphabet codes in the table below.

CODE	SHAPE	SIZE	CODE	SHAPE	SIZE
<A>		Diameter=8 mm (0.315 in.) Length=21 mm (0.827 in.)			Diameter=6 mm (0.236 in.) Length=20 mm (0.787 in.)
<C>		Diameter=6 mm (0.236 in.) Length=20 mm (0.787 in.)	<D>		Diameter=6 mm (0.236 in.) Length=15 mm (0.591 in.)
<E>		Diameter=5 mm (0.197 in.) Length=14 mm (0.551 in.)	<F>		Diameter=6 mm (0.236 in.)

