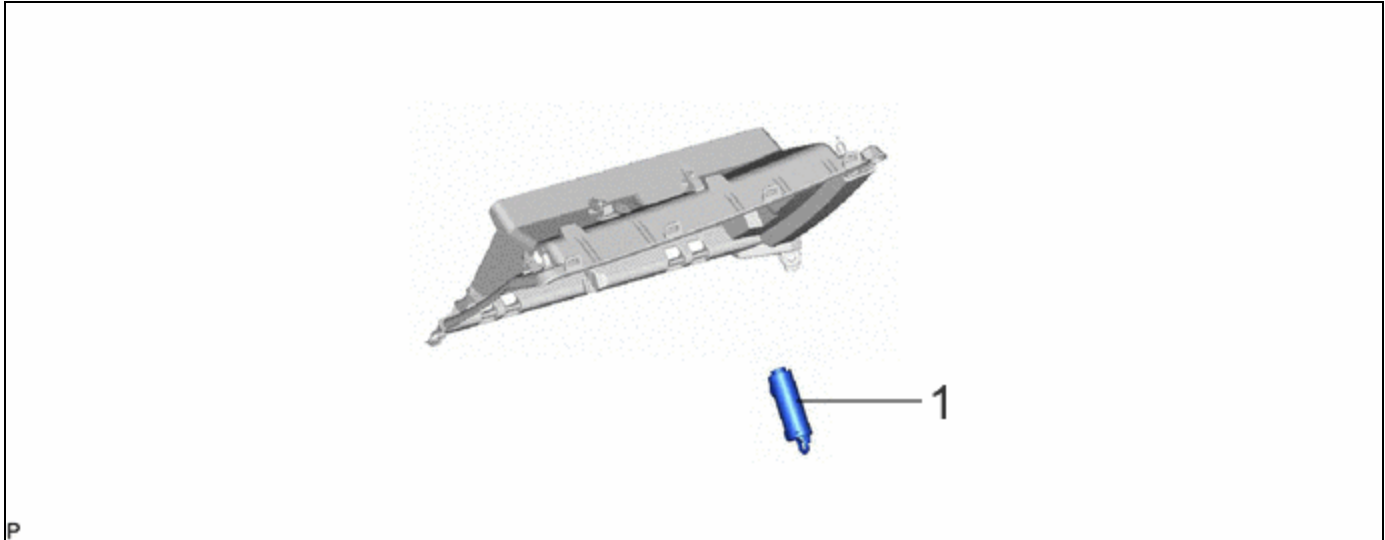


Last Modified: 12-04-2024	6.11:8.1.0	Doc ID: RM100000002FZNU
Model Year Start: 2024	Model: Prius Prime	Prod Date Range: [09/2023 -]
Title: INTERIOR PANELS / TRIM: INSTRUMENT PANEL SAFETY PAD: INSTALLATION; 2024 MY Prius Prius Prime [09/2023 -]		

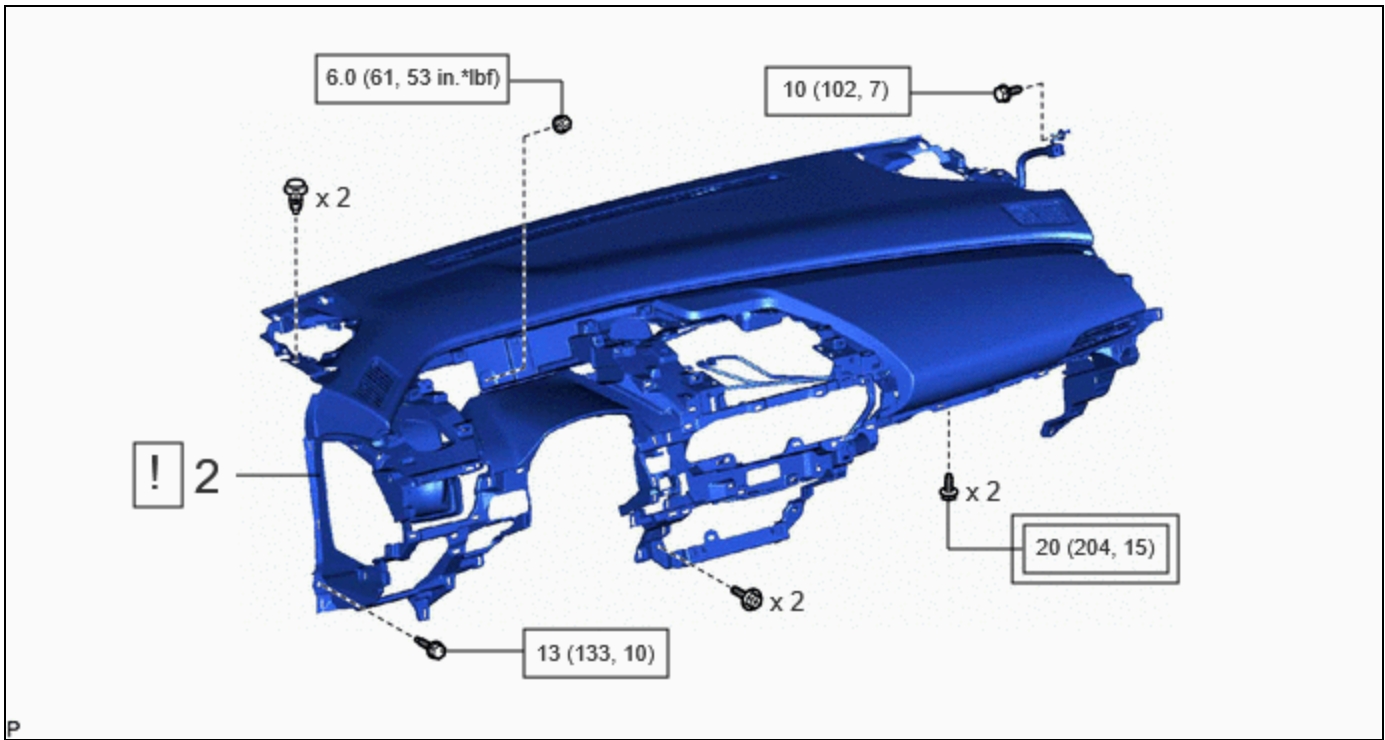
INSTALLATION

CAUTION / NOTICE / HINT

COMPONENTS (INSTALLATION)

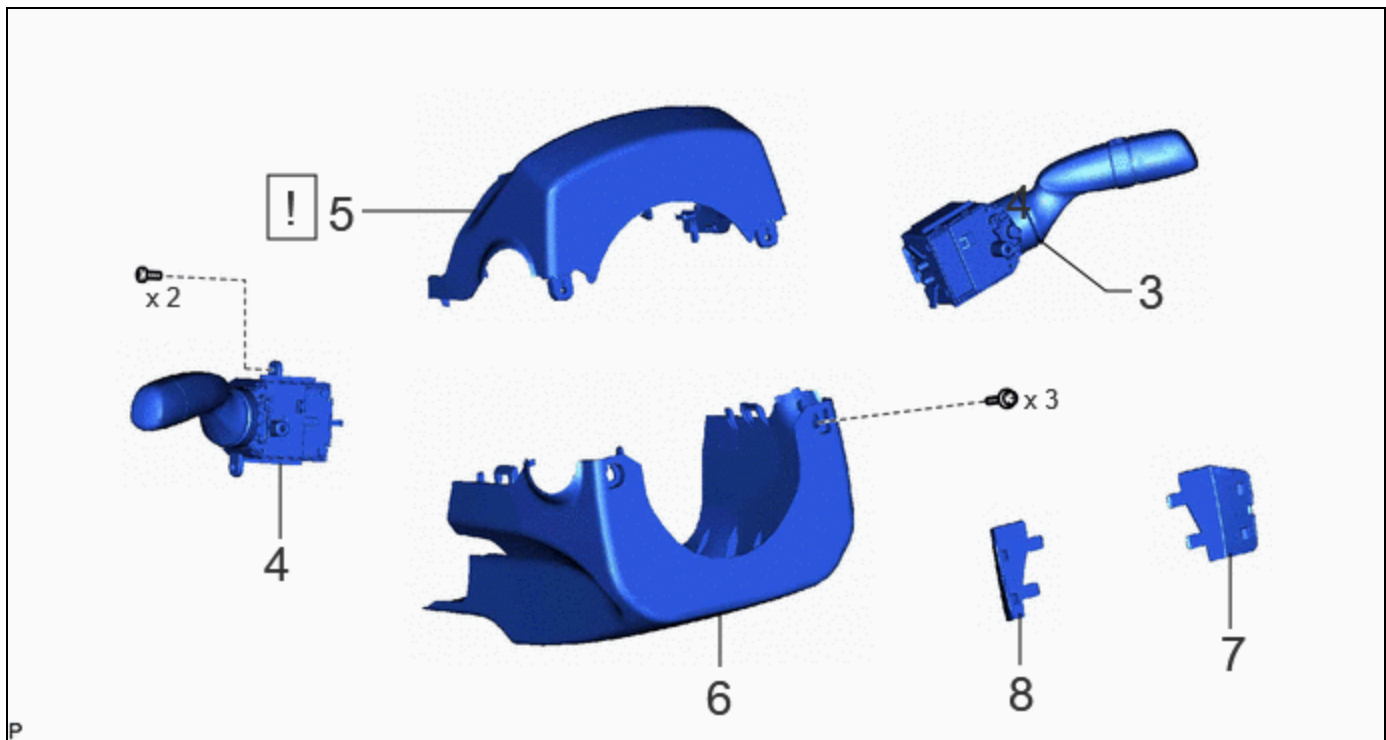


PROCEDURE		PART NAME CODE			
1	GLOVE COMPARTMENT DOOR STOPPER SUB-ASSEMBLY	55054	-	-	-

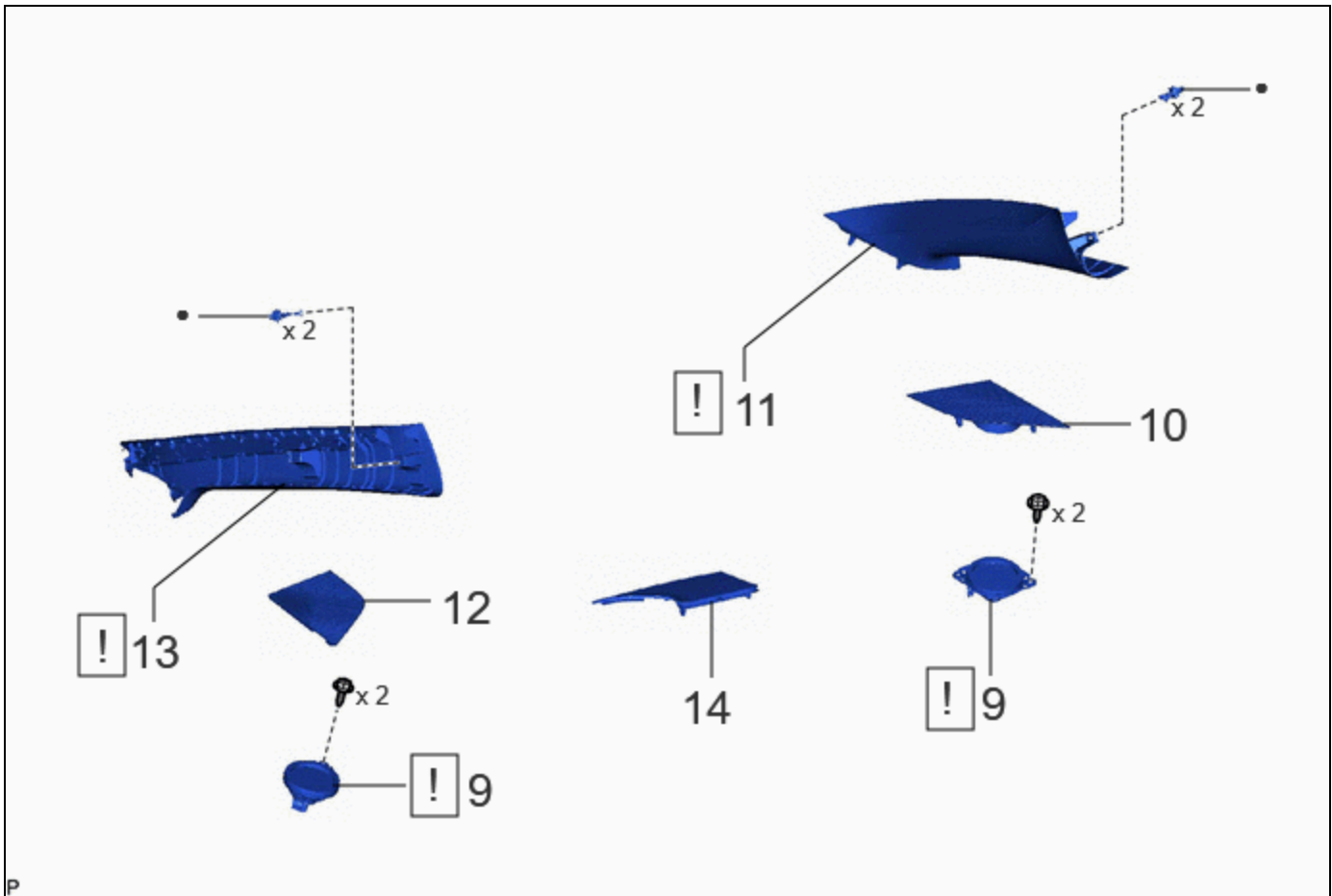


PROCEDURE	PART NAME CODE	!		
2 INSTRUMENT PANEL SAFETY PAD SUB-ASSEMBLY	-	INFO	-	-

	Tightening torque for "Major areas involving basic vehicle performance such as moving/turning/stopping": N*m (kgf*cm, ft.*lbf)		N*m (kgf*cm, ft.*lbf): Specified torque
--	--	--	---

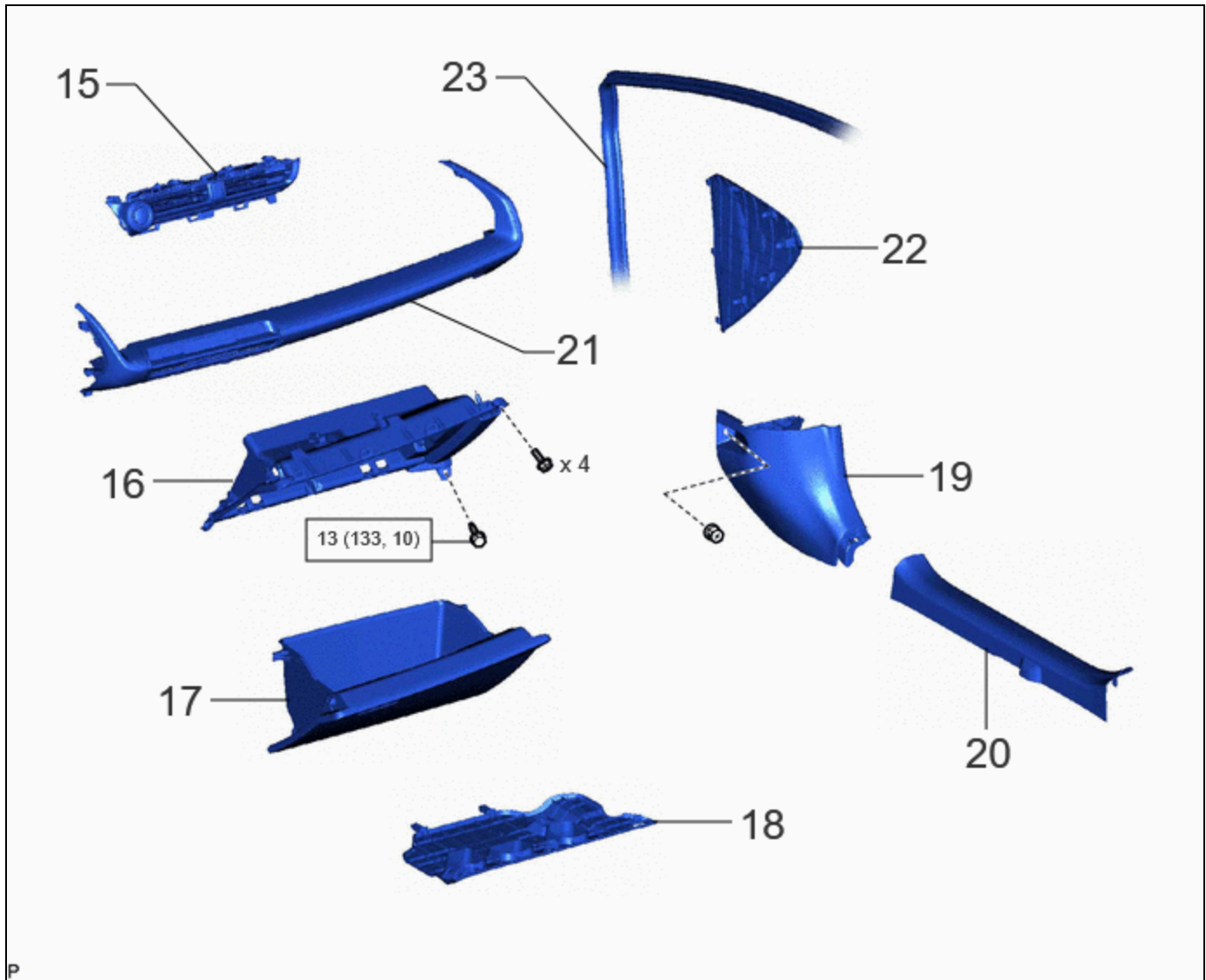





PROCEDURE		PART NAME CODE			
3	WINDSHIELD WIPER SWITCH ASSEMBLY	84650	-	-	-
4	TURN SIGNAL SWITCH	84329	-	-	-
5	UPPER STEERING COLUMN COVER	45286B	INFO	-	-
6	LOWER STEERING COLUMN COVER	45287	-	-	-
7	NO. 2 STEERING WHEEL LOWER COVER	45186	-	-	-
8	NO. 3 STEERING WHEEL LOWER COVER	45187	-	-	-

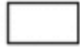


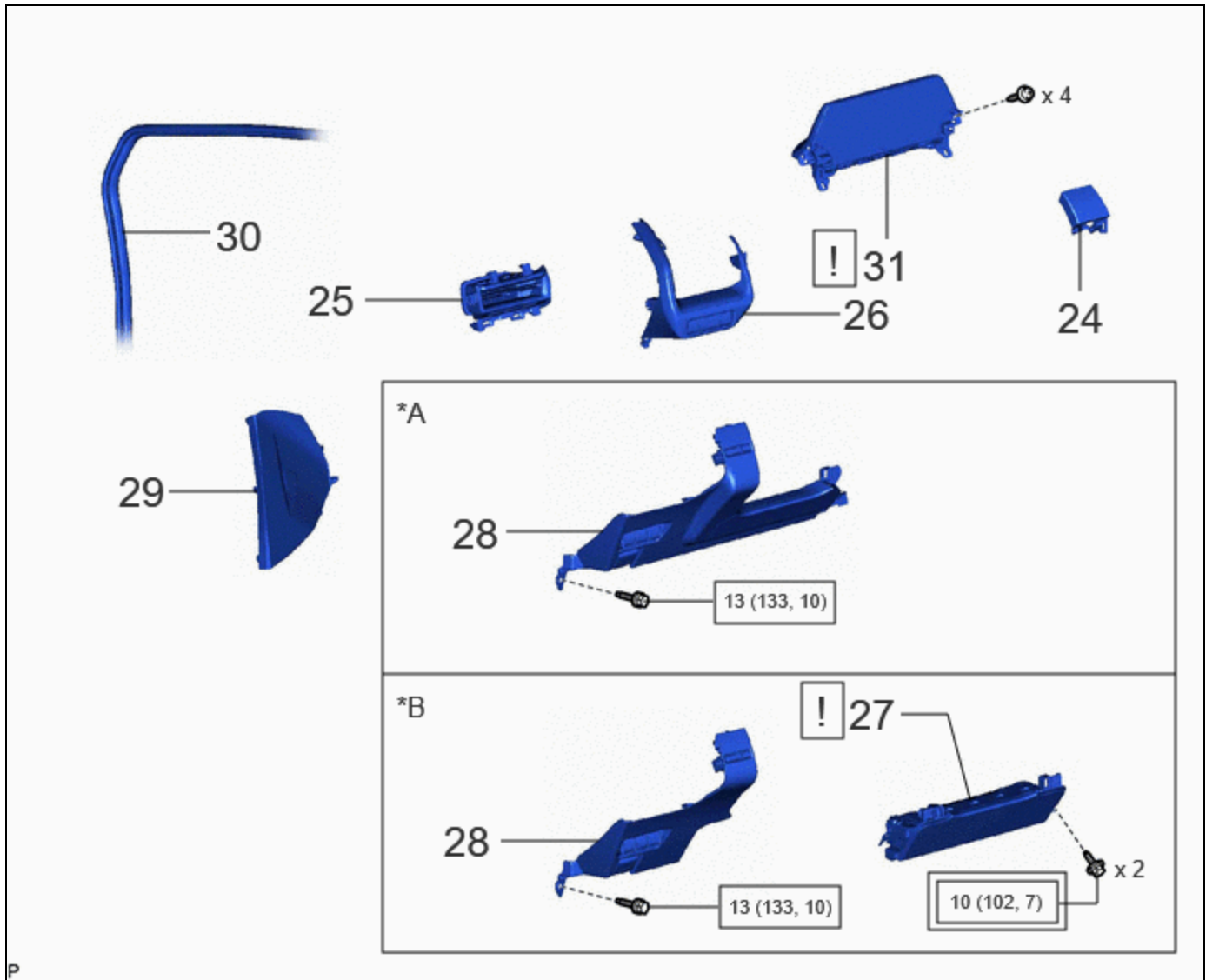
	PROCEDURE	PART NAME CODE			
9	FRONT NO. 3 SPEAKER ASSEMBLY	86160J	INFO	-	-
10	NO. 2 INSTRUMENT PANEL SPEAKER PANEL	55473B	-	-	-
11	FRONT PILLAR GARNISH RH	62211	INFO	-	-
12	NO. 1 INSTRUMENT PANEL SPEAKER PANEL	55472C	-	-	-
13	FRONT PILLAR GARNISH LH	62212	INFO	-	-
14	INSTRUMENT CLUSTER FINISH PANEL COVER	55423B	-	-	-




•	Non-reusable part	-	-
---	-------------------	---	---








PROCEDURE		PART NAME CODE			
15	NO. 3 INSTRUMENT PANEL REGISTER ASSEMBLY	55670	-	-	-
16	LOWER INSTRUMENT PANEL SUB-ASSEMBLY	55303B	-	-	-
17	GLOVE COMPARTMENT DOOR ASSEMBLY	55550	-	-	-
18	NO. 2 INSTRUMENT PANEL UNDER COVER SUB-ASSEMBLY	55607	-	-	-
19	COWL SIDE TRIM BOARD RH	62111C	-	-	-
20	FRONT DOOR SCUFF PLATE RH	67913	-	-	-
21	NO. 2 INSTRUMENT PANEL GARNISH SUB-ASSEMBLY WITH AIR CONDITIONING CONTROL ASSEMBLY	-	-	-	-
22	INSTRUMENT SIDE PANEL RH	55317A	-	-	-
23	FRONT DOOR OPENING TRIM WEATHERSTRIP RH	62311B	-	-	-

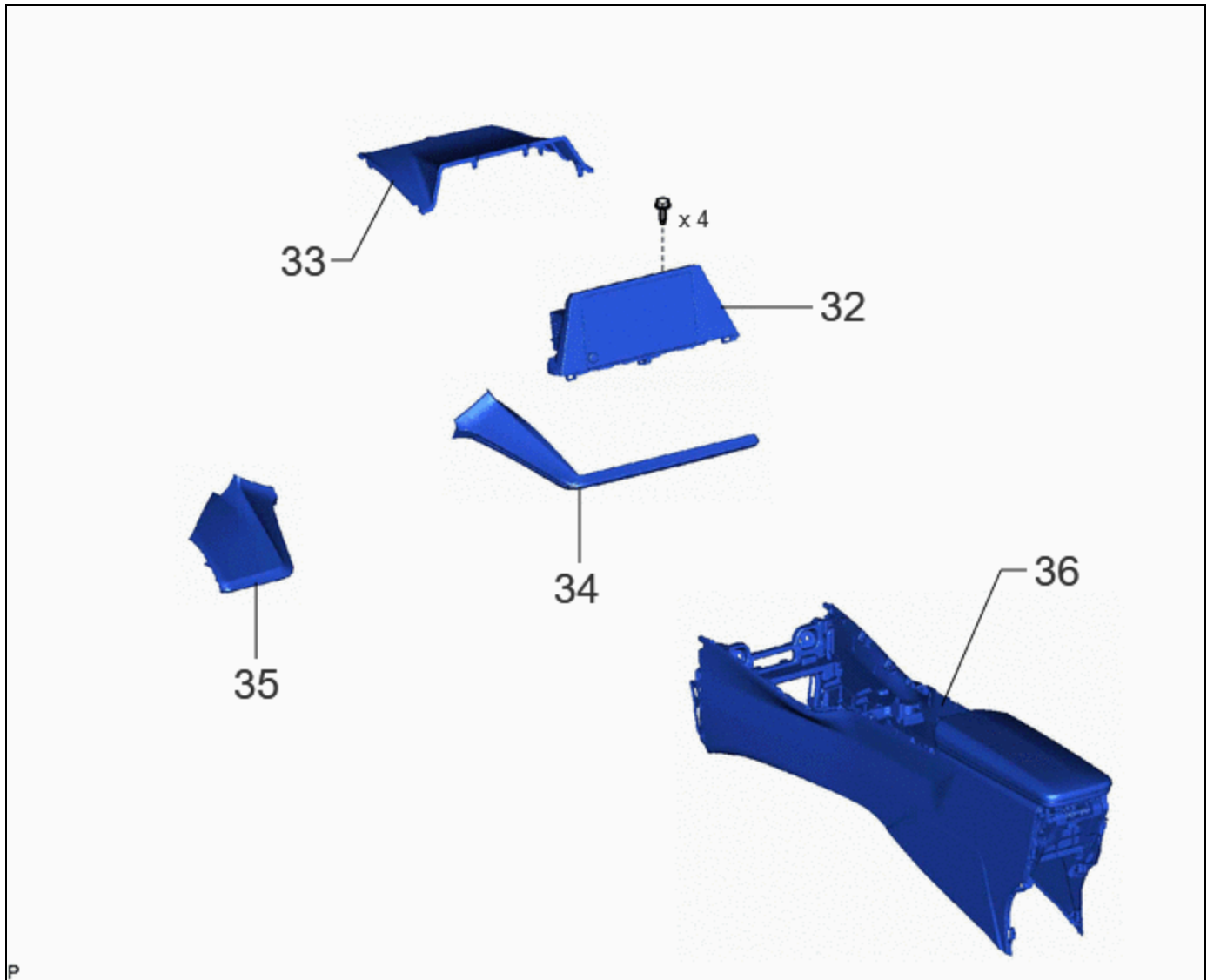
	N*m (kgf*cm, ft.*lbf): Specified torque	-	-
---	---	---	---






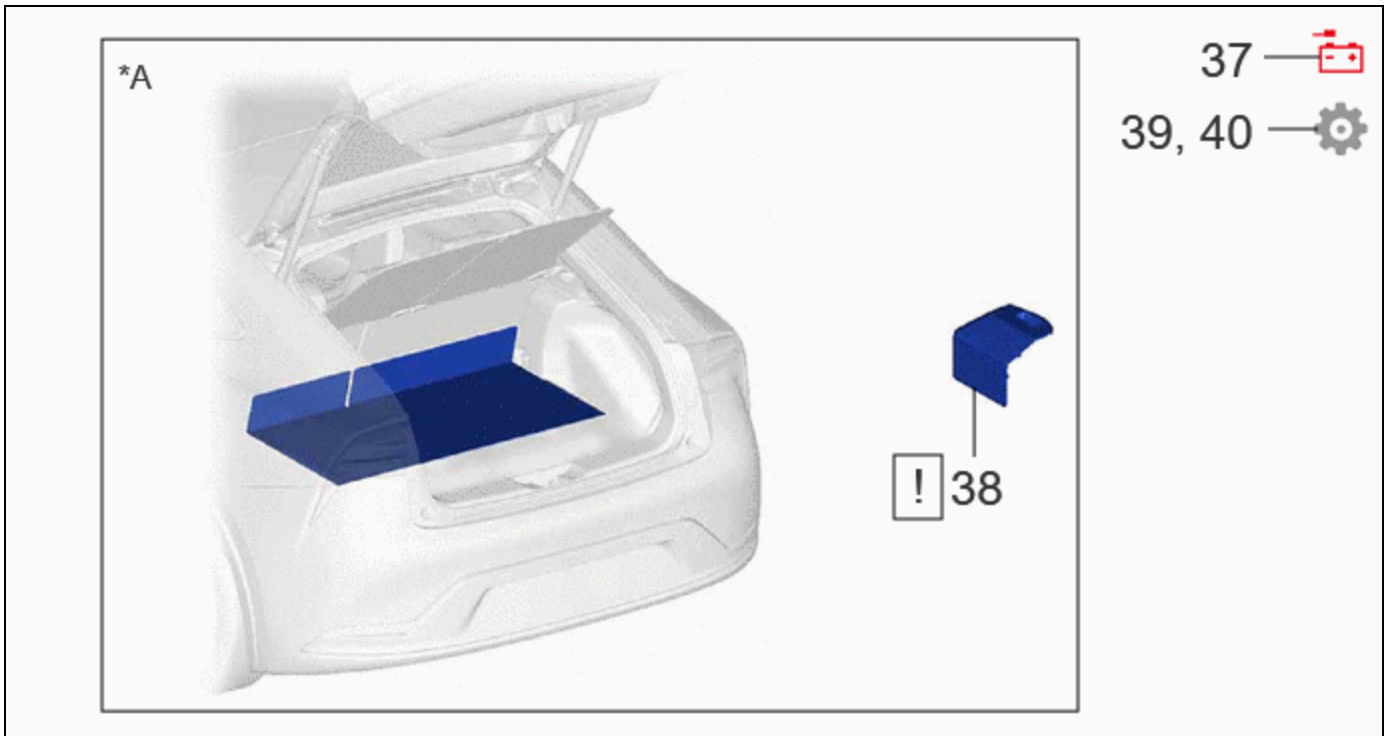
PROCEDURE		PART NAME CODE			
24	LOWER CENTER INSTRUMENT CLUSTER FINISH PANEL SUB-ASSEMBLY	55406B	-	-	-
25	NO. 1 INSTRUMENT PANEL REGISTER ASSEMBLY	55650	-	-	-
26	NO. 1 INSTRUMENT PANEL GARNISH SUB-ASSEMBLY	55011A	-	-	-
27	LOWER NO. 1 INSTRUMENT PANEL AIRBAG ASSEMBLY	73900	INFO	-	-
28	LOWER INSTRUMENT PANEL FINISH PANEL ASSEMBLY	55480D	-	-	-
29	INSTRUMENT SIDE PANEL LH	55318C	-	-	-




PROCEDURE		PART NAME CODE			
30	FRONT DOOR OPENING TRIM WEATHERSTRIP LH	62312B	-	-	-
31	COMBINATION METER SUB-ASSEMBLY	-	INFO	-	-

*A	w/o Knee Airbag	*B	w/ Knee Airbag
	Tightening torque for "Major areas involving basic vehicle performance such as moving/turning/stopping": N*m (kgf*cm, ft.*lbf)		N*m (kgf*cm, ft.*lbf): Specified torque



	PROCEDURE	PART NAME CODE			
32	RADIO AND DISPLAY RECEIVER ASSEMBLY WITH BRACKET	-	-	-	-
33	CENTER UPPER INSTRUMENT CLUSTER FINISH PANEL	55422C	-	-	-
34	CENTER INSTRUMENT CLUSTER FINISH PANEL ASSEMBLY	55420A	-	-	-
35	INSTRUMENT CLUSTER FINISH PANEL ASSEMBLY	55410C	-	-	-
36	REAR CONSOLE BOX ASSEMBLY	58910C	-	-	-



	PROCEDURE	PART NAME CODE			
37	CONNECT CABLE TO NEGATIVE AUXILIARY BATTERY TERMINAL	-	-	-	-
38	BATTERY SERVICE HOLE COVER ASSEMBLY	58440	INFO	-	-
39	INSPECT SRS WARNING LIGHT	-	-	-	INFO
40	INITIALIZATION AFTER RECONNECTING AUXILIARY BATTERY TERMINAL	-	-	-	INFO

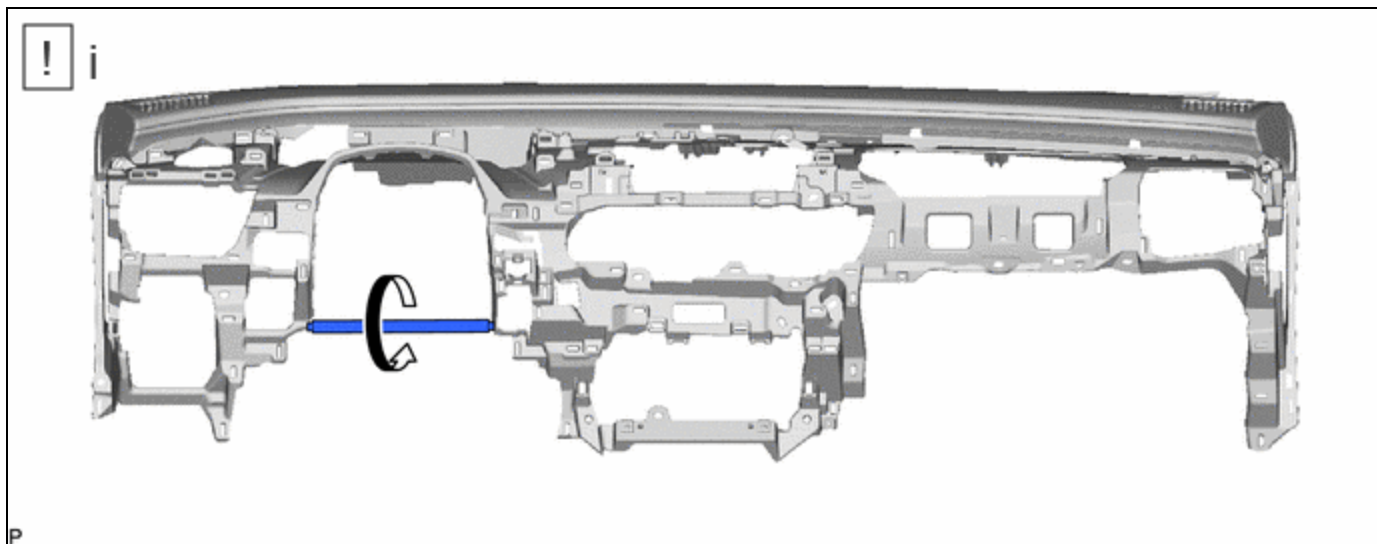
*A	for M20A-FXS	-	-
----	--------------	---	---

PROCEDURE

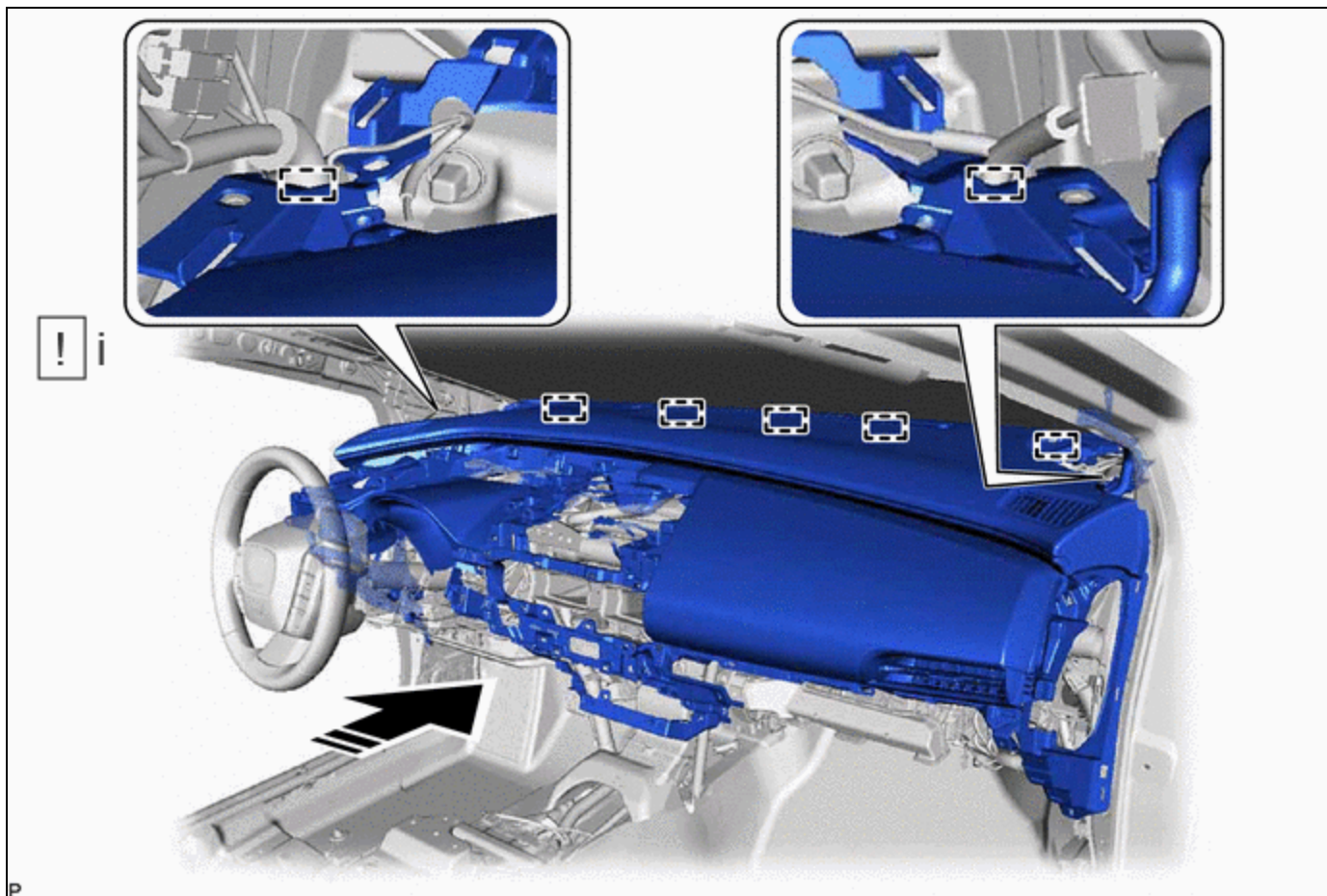
1. INSTALL GLOVE COMPARTMENT DOOR STOPPER SUB-ASSEMBLY

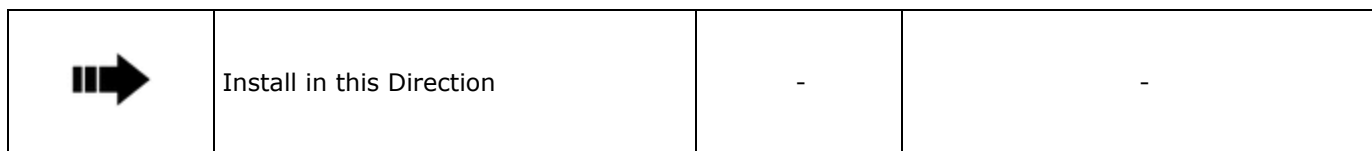
2. INSTALL INSTRUMENT PANEL SAFETY PAD SUB-ASSEMBLY

(a) When installing a new instrument panel safety pad sub-assembly:



(1) Immediately before installing the instrument panel safety pad sub-assembly, twist and cut off the portion as shown in the illustration.

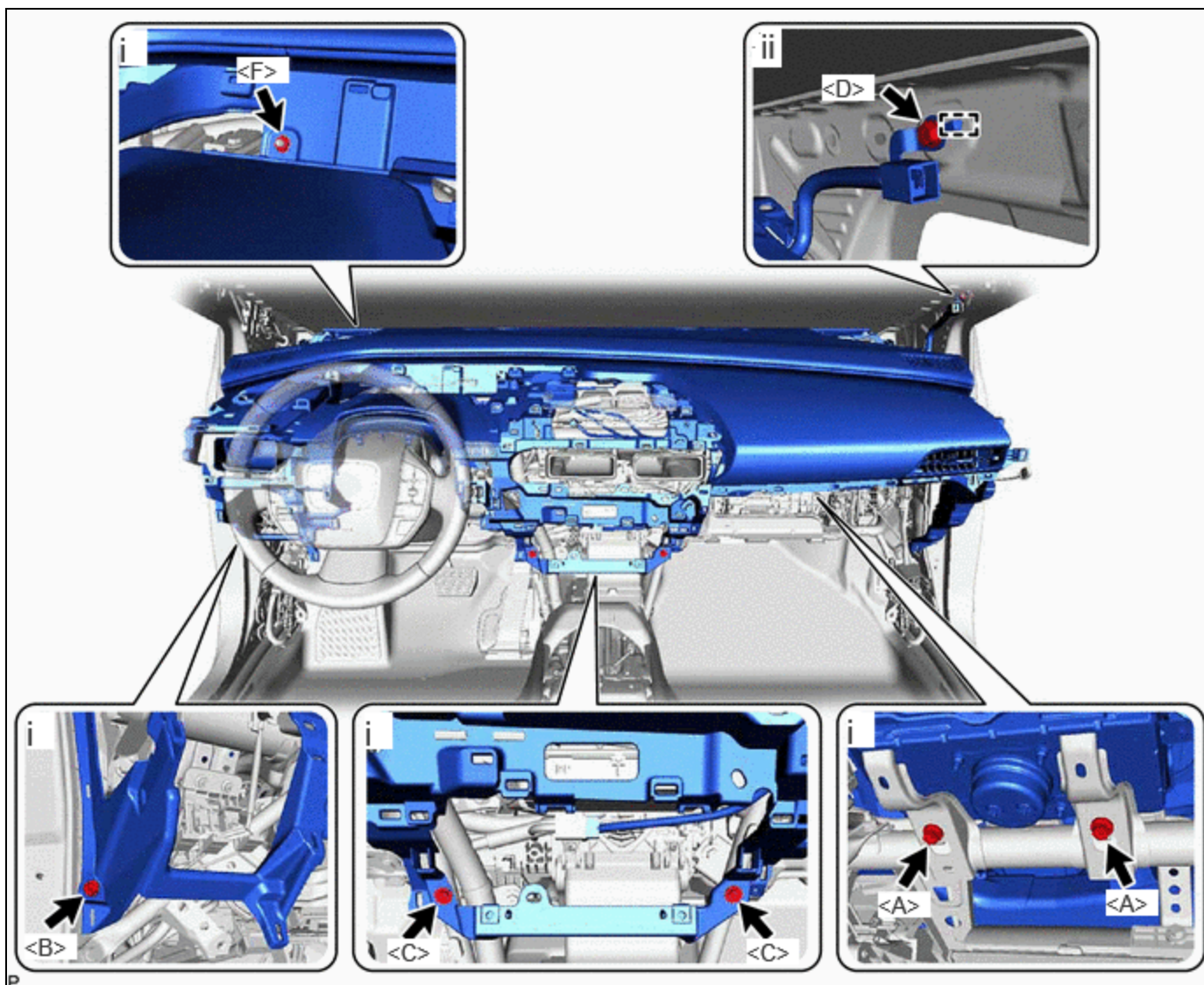




- (1) Engage the 5 guides and 2 clamps to temporarily install the instrument panel safety pad sub-assembly as shown in the illustration.

NOTICE:

- Do not damage the instrument panel safety pad sub-assembly.
- Do not allow the wire harnesses to interfere with the surrounding parts.



- (1) Install the instrument panel safety pad sub-assembly with the 2 bolts <A>, bolt , 2 screws <C> and nut <F>.

Torque:

Bolt <A> :

20 N·m {204 kgf·cm, 15 ft·lbf}

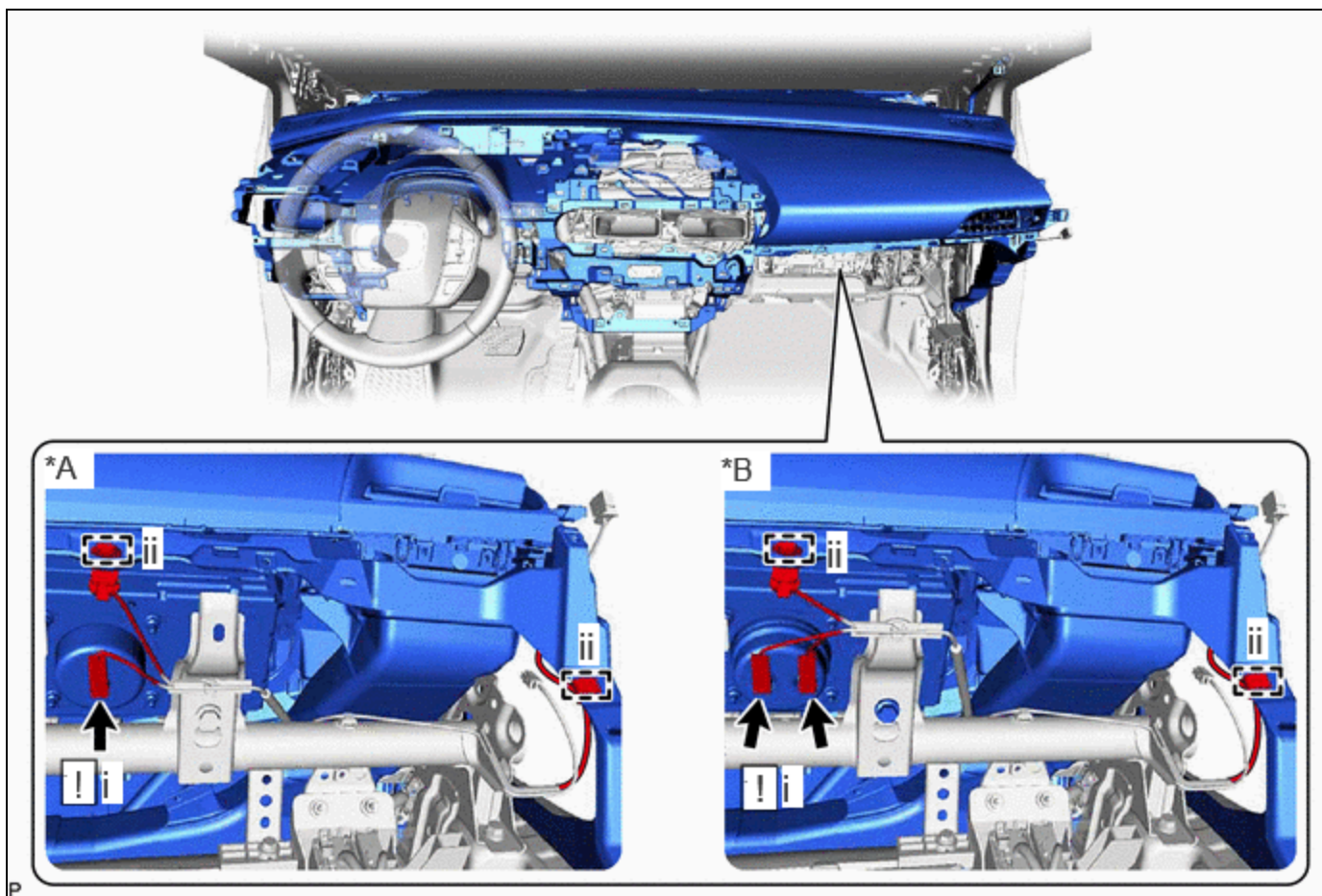
Bolt :

13 N·m {133 kgf·cm, 10 ft·lbf}

Nut <F> :

6.0 N·m {61 kgf·cm, 53 in·lbf}

- (2) Engage the guide and install bolt <D>.

Torque:**10 N·m {102 kgf·cm, 7 ft·lbf}**

*A	for Type A	*B	for Type B
----	------------	----	------------

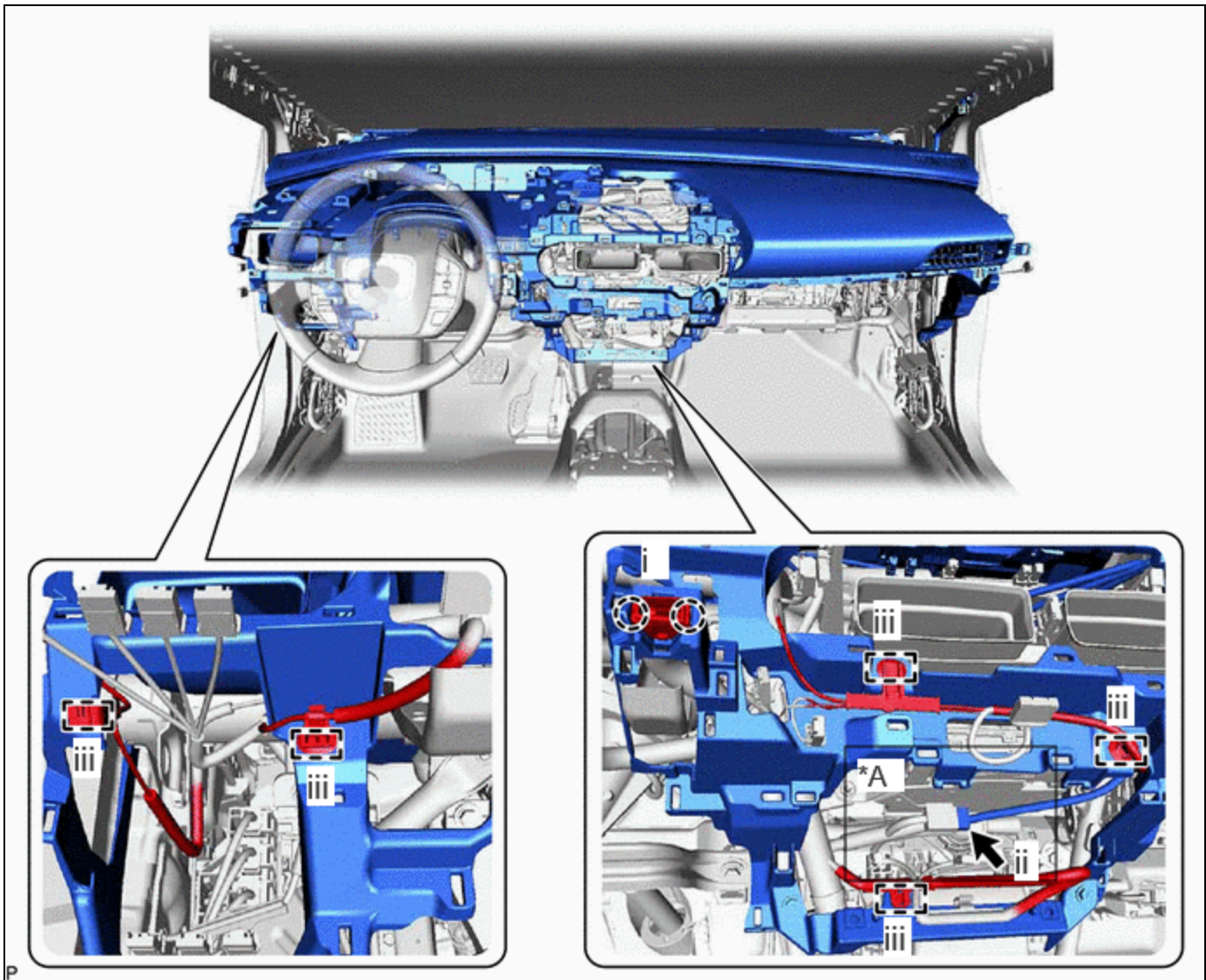
(1) Connect each airbag connector.

HINT:

Refer to [How to Connect or Disconnect Airbag Connector](#).

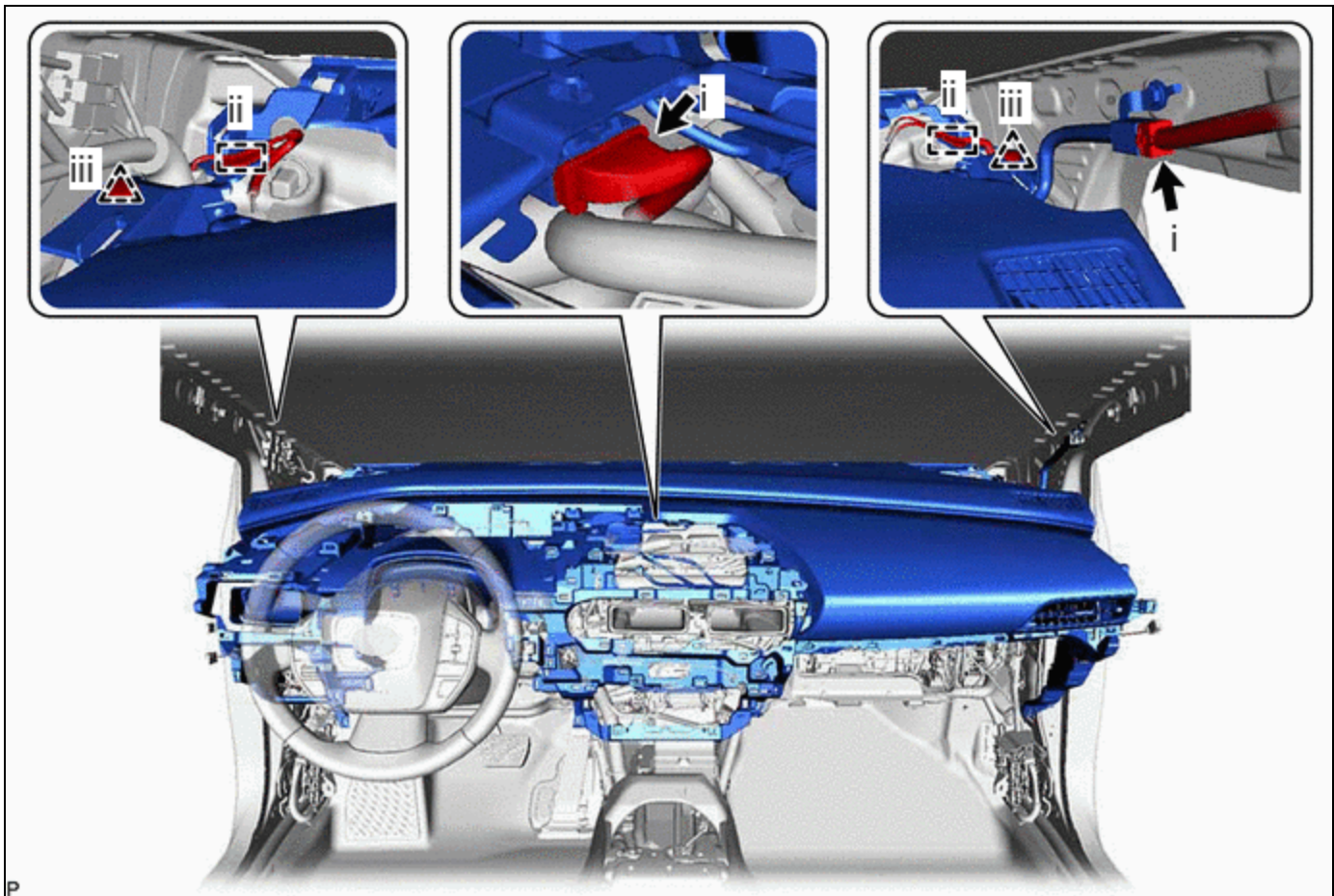
[Click here](#) **INFO**

(2) Engage the 2 clamps.



*A	w/ Telematics Transceiver	-	-
----	---------------------------	---	---

- (1) Engage the 2 claws to connect the cooler (room temp. sensor) thermistor.
- (2) w/ Telematics Transceiver:
 1. Connect the connector.
- (3) Engage the 5 clamps.



- (1) Connect the 2 connectors.
- (2) Engage the 2 clamps.
- (3) Install the 2 clips.

3. INSTALL WINDSHIELD WIPER SWITCH ASSEMBLY

4. INSTALL TURN SIGNAL SWITCH

5. INSTALL UPPER STEERING COLUMN COVER



Click here [INFO](#)

6. INSTALL LOWER STEERING COLUMN COVER

7. INSTALL NO. 2 STEERING WHEEL LOWER COVER

8. INSTALL NO. 3 STEERING WHEEL LOWER COVER

9. INSTALL FRONT NO. 3 SPEAKER ASSEMBLY



- Use the same procedure as for the LH side and RH side.
- Click here [INFO](#)

10. INSTALL NO. 2 INSTRUMENT PANEL SPEAKER PANEL**11. INSTALL FRONT PILLAR GARNISH RH**

(a) Use the same procedure as for the LH side.

12. INSTALL NO. 1 INSTRUMENT PANEL SPEAKER PANEL**13. INSTALL FRONT PILLAR GARNISH LH**

Click here [INFO](#)

14. INSTALL INSTRUMENT CLUSTER FINISH PANEL COVER**15. INSTALL NO. 3 INSTRUMENT PANEL REGISTER ASSEMBLY****16. INSTALL LOWER INSTRUMENT PANEL SUB-ASSEMBLY**

Torque:

Bolt :

13 N·m {133 kgf·cm, 10 ft·lbf}

17. INSTALL GLOVE COMPARTMENT DOOR ASSEMBLY**18. INSTALL NO. 2 INSTRUMENT PANEL UNDER COVER SUB-ASSEMBLY****19. INSTALL COWL SIDE TRIM BOARD RH****20. INSTALL FRONT DOOR SCUFF PLATE RH****21. INSTALL NO. 2 INSTRUMENT PANEL GARNISH SUB-ASSEMBLY WITH AIR CONDITIONING CONTROL ASSEMBLY****22. INSTALL INSTRUMENT SIDE PANEL RH****23. CONNECT FRONT DOOR OPENING TRIM WEATHERSTRIP RH****24. INSTALL LOWER CENTER INSTRUMENT CLUSTER FINISH PANEL SUB-ASSEMBLY****25. INSTALL NO. 1 INSTRUMENT PANEL REGISTER ASSEMBLY****26. INSTALL NO. 1 INSTRUMENT PANEL GARNISH SUB-ASSEMBLY****27. INSTALL LOWER NO. 1 INSTRUMENT PANEL AIRBAG ASSEMBLY (w/ Knee Airbag)**

Click here [INFO](#)

28. INSTALL LOWER INSTRUMENT PANEL FINISH PANEL ASSEMBLY

Torque:

Bolt :

13 N·m {133 kgf·cm, 10 ft·lbf}

29. INSTALL INSTRUMENT SIDE PANEL LH

30. CONNECT FRONT DOOR OPENING TRIM WEATHERSTRIP LH**31. INSTALL COMBINATION METER SUB-ASSEMBLY**

	Click here INFO
---	---------------------------------

32. INSTALL RADIO AND DISPLAY RECEIVER ASSEMBLY WITH BRACKET**33. INSTALL CENTER UPPER INSTRUMENT CLUSTER FINISH PANEL****34. INSTALL CENTER INSTRUMENT CLUSTER FINISH PANEL ASSEMBLY****35. INSTALL INSTRUMENT CLUSTER FINISH PANEL ASSEMBLY****36. INSTALL REAR CONSOLE BOX ASSEMBLY**Click here [INFO](#)**37. CONNECT CABLE TO NEGATIVE AUXILIARY BATTERY TERMINAL**

(a) for M20A-FXS:

Click here [INFO](#)

(b) for 2ZR-FXE:

Click here [INFO](#)**38. INSTALL BATTERY SERVICE HOLE COVER ASSEMBLY (for M20A-FXS)**

	Click here INFO
---	---------------------------------

39. INSPECT SRS WARNING LIGHTClick here [INFO](#)**40. INITIALIZATION AFTER RECONNECTING AUXILIARY BATTERY TERMINAL****HINT:**

When disconnecting and reconnecting the auxiliary battery, there is an automatic learning function that completes learning when the respective system is used.

Click here [INFO](#)