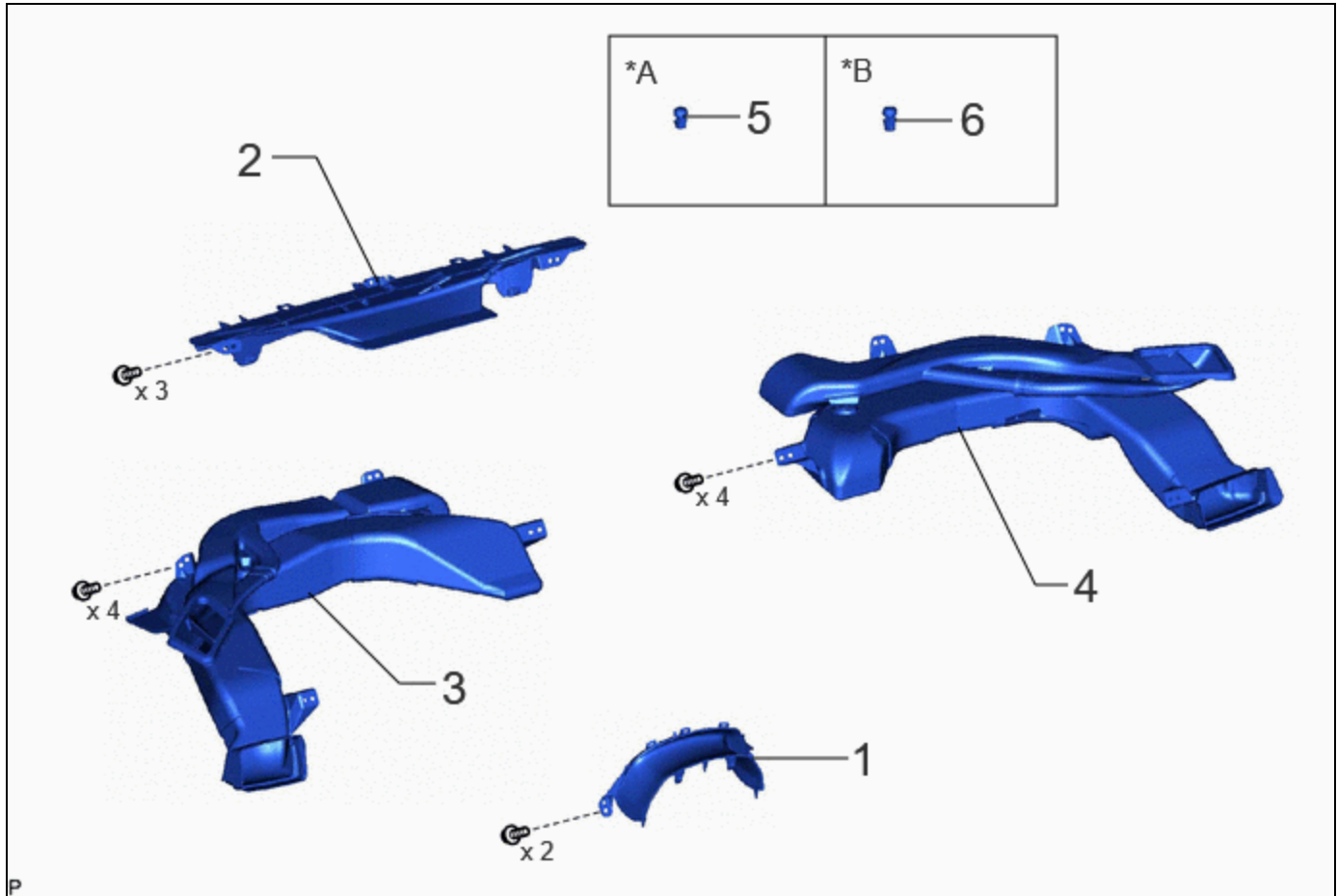


Last Modified: 12-04-2024	6.11:8.1.0	Doc ID: RM10000002907J
Model Year Start: 2023	Model: Prius Prime	Prod Date Range: [12/2022 -]
Title: INTERIOR PANELS / TRIM: INSTRUMENT PANEL SAFETY PAD: DISASSEMBLY; 2023 - 2024 MY Prius Prius Prime [12/2022 -]		

DISASSEMBLY

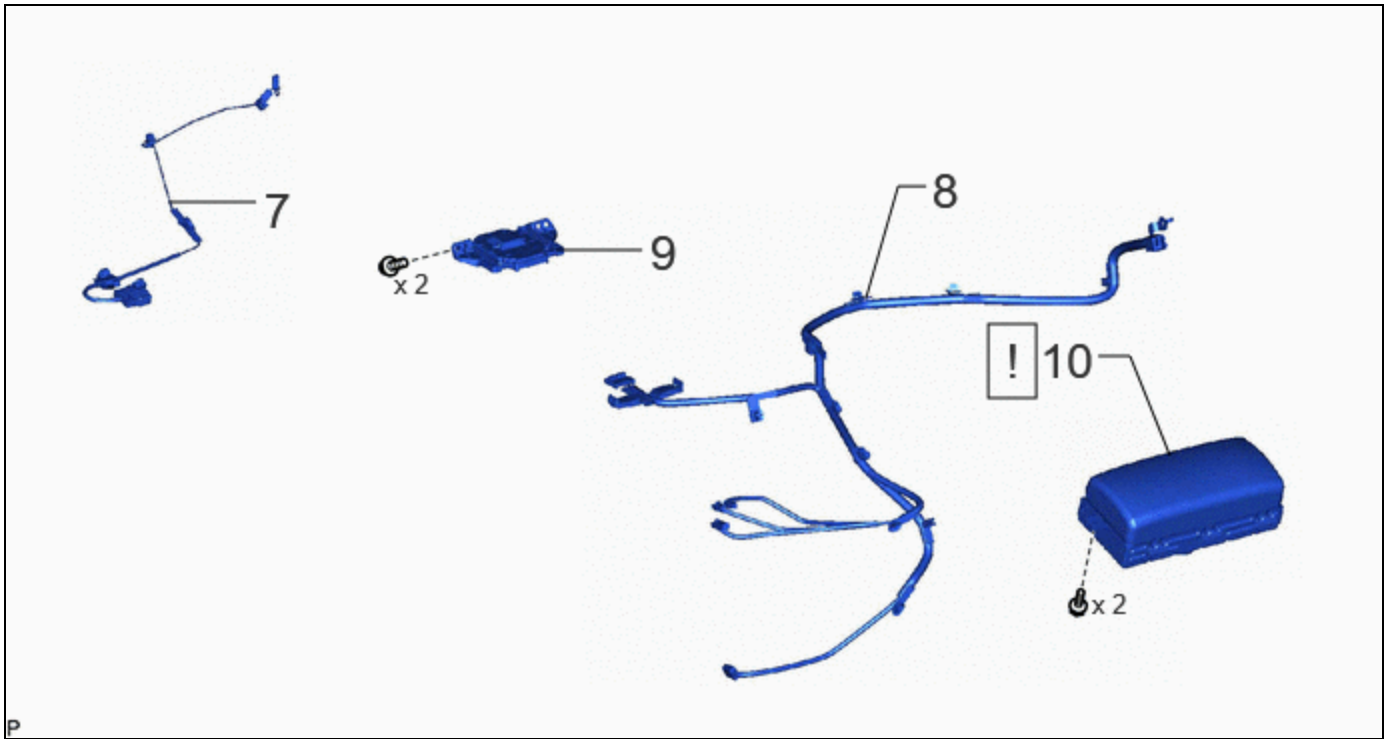
CAUTION / NOTICE / HINT

COMPONENTS (DISASSEMBLY)

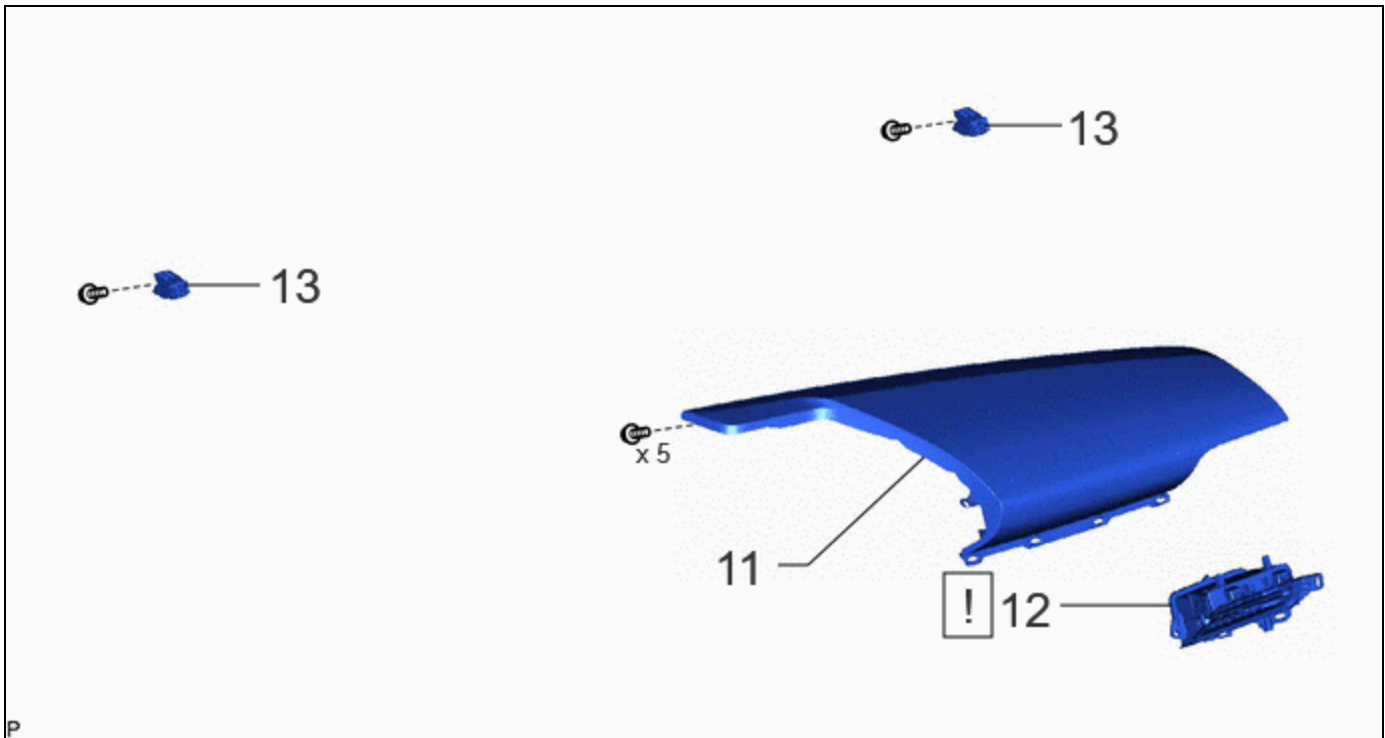


	PROCEDURE	PART NAME CODE	!	📄	⚙️
1	LOWER INSTRUMENT COVER SUB-ASSEMBLY	55407C	-	-	-
2	DEFROSTER NOZZLE ASSEMBLY	55950G	-	-	-
3	NO. 1 HEATER TO REGISTER DUCT SUB-ASSEMBLY	55084E	-	-	-
4	NO. 2 HEATER TO REGISTER DUCT SUB-ASSEMBLY	55085	-	-	-
5	COOLER (SOLAR SENSOR) THERMISTOR	88625H	-	-	-
6	AUTOMATIC LIGHT CONTROL SENSOR	89120A	-	-	-

*A	w/o Automatic Light Control System	*B	w/ Automatic Light Control System
----	------------------------------------	----	-----------------------------------



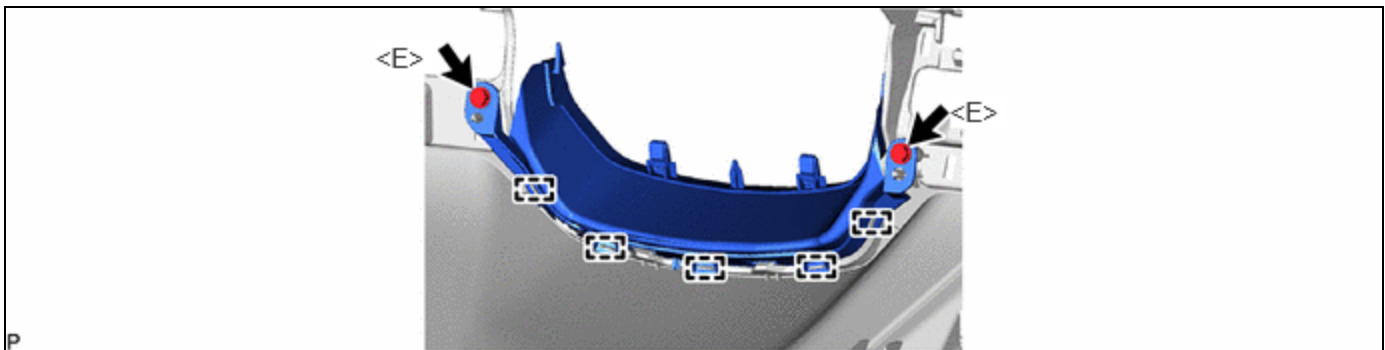
PROCEDURE		PART NAME CODE			
7	NO. 2 INSTRUMENT PANEL WIRE	82142	-	-	-
8	ANTENNA CORD SUB-ASSEMBLY	86101T	-	-	-
9	NAVIGATION ANTENNA ASSEMBLY WITH BRACKET	-	-	-	-
10	INSTRUMENT PANEL PASSENGER AIRBAG ASSEMBLY	73960A	INFO	-	-



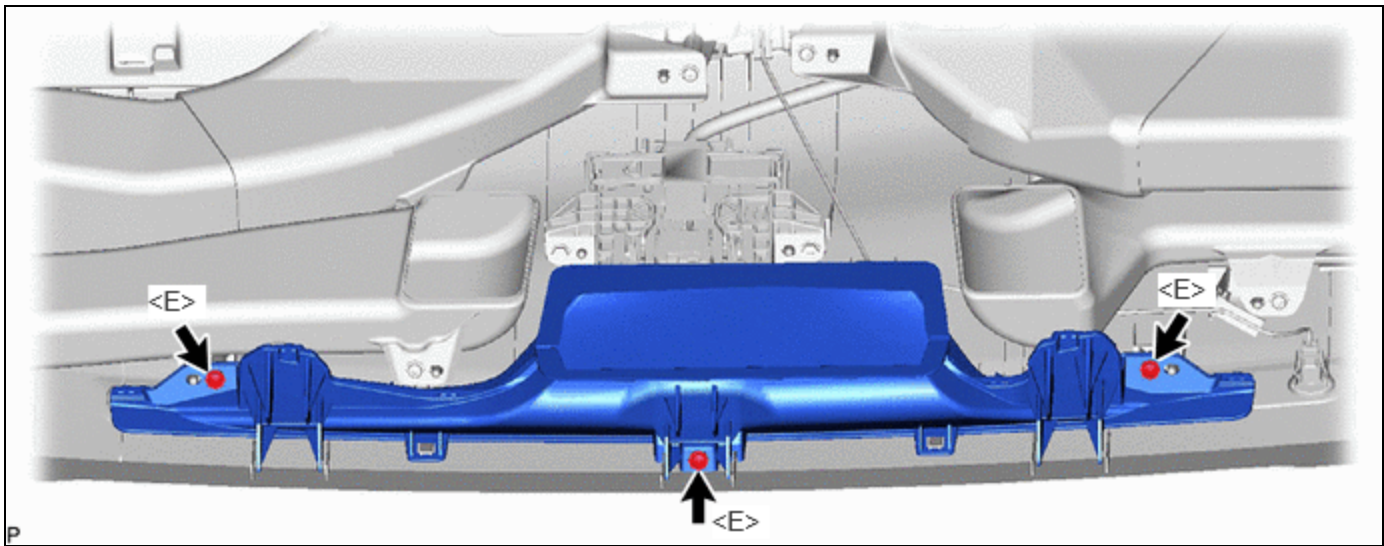
PROCEDURE		PART NAME CODE			
11	NO. 1 INSTRUMENT PANEL SAFETY PAD SUB-ASSEMBLY	55402D	-	-	-
12	NO. 2 INSTRUMENT PANEL REGISTER ASSEMBLY	55660	INFO	-	-
13	NO. 1 INSTRUMENT PANEL PIN	55328	-	-	-

PROCEDURE

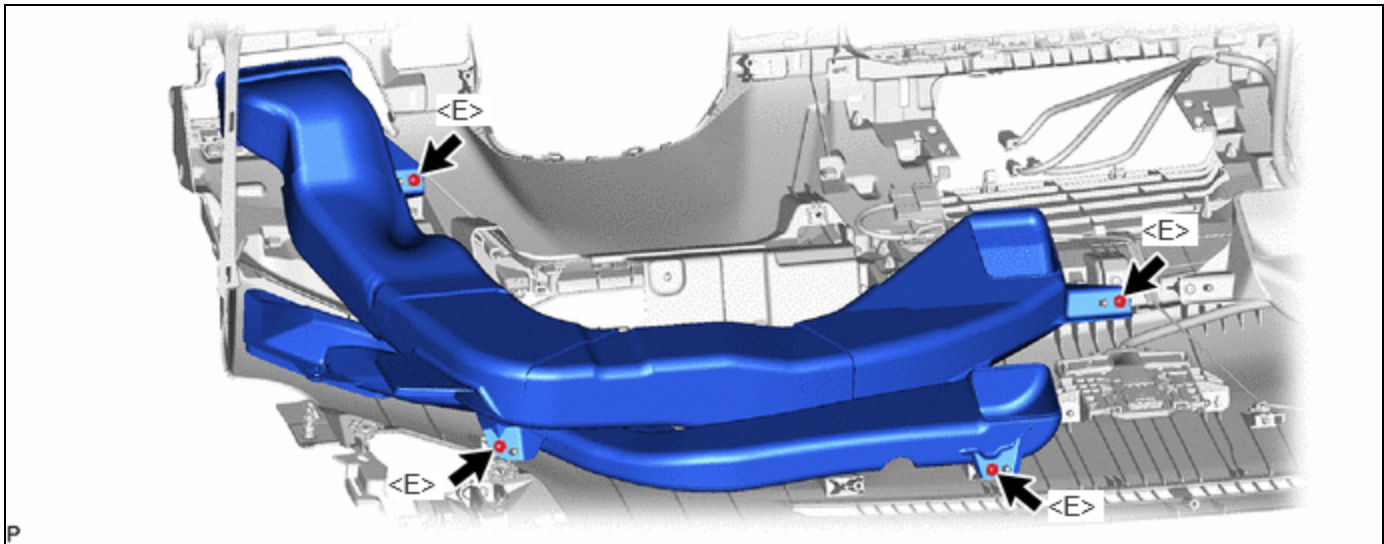
1. REMOVE LOWER INSTRUMENT COVER SUB-ASSEMBLY



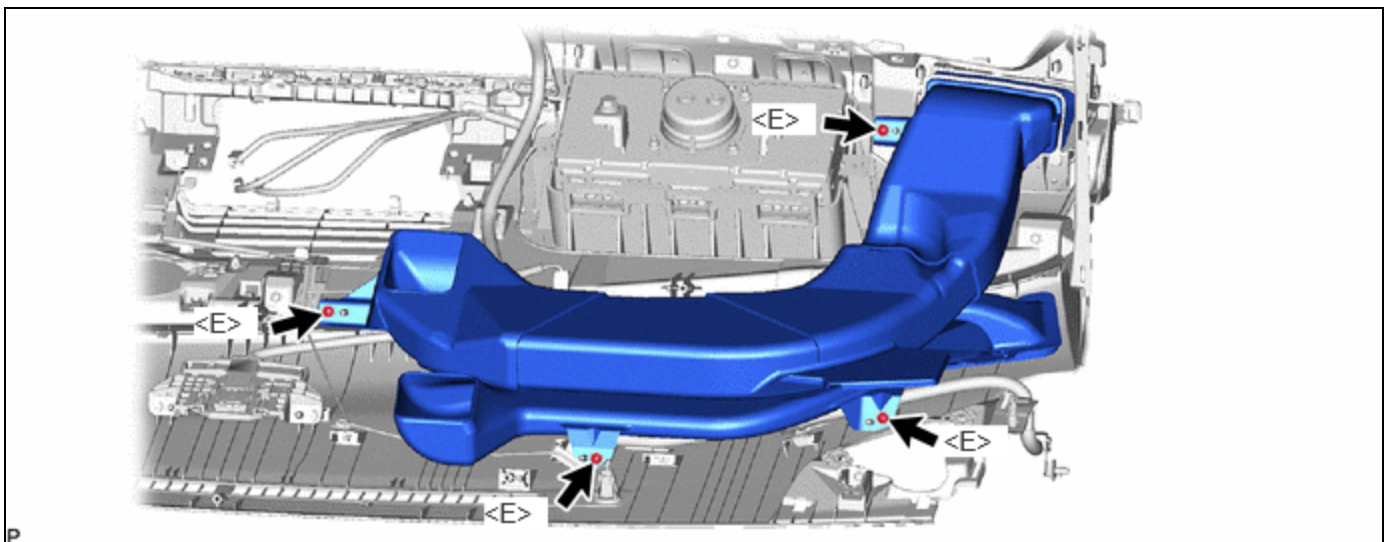
2. REMOVE DEFROSTER NOZZLE ASSEMBLY



3. REMOVE NO. 1 HEATER TO REGISTER DUCT SUB-ASSEMBLY



4. REMOVE NO. 2 HEATER TO REGISTER DUCT SUB-ASSEMBLY



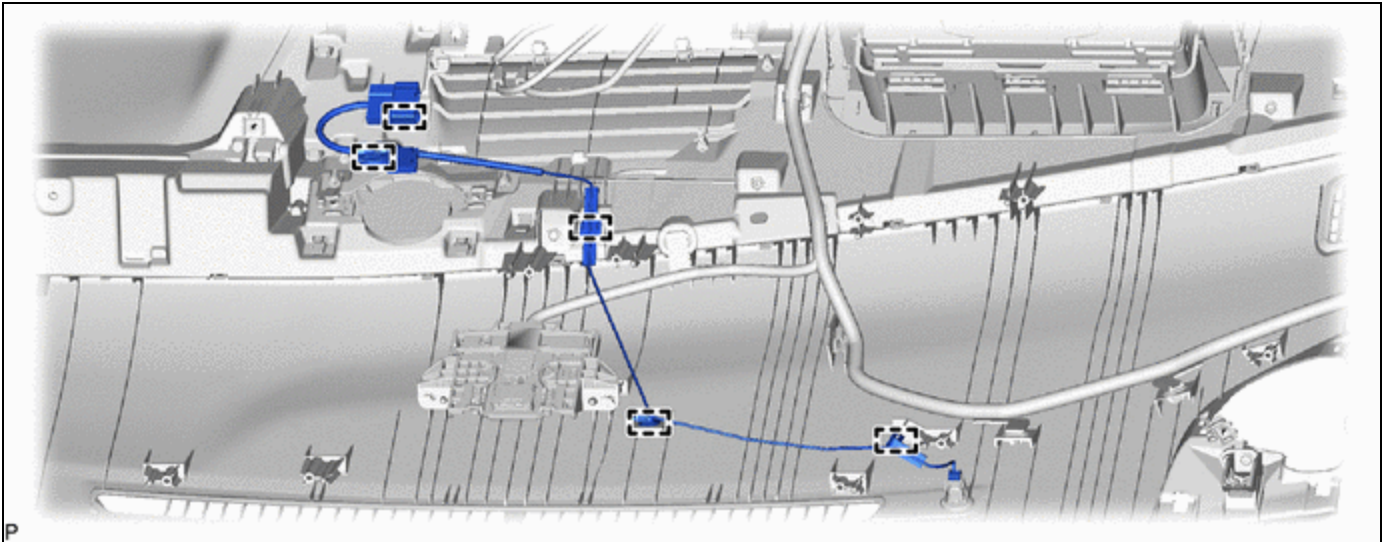
5. REMOVE COOLER (SOLAR SENSOR) THERMISTOR (w/o Automatic Light Control System)

Click here [INFO](#)

6. REMOVE AUTOMATIC LIGHT CONTROL SENSOR (w/ Automatic Light Control System)

Click here [INFO](#)

7. REMOVE NO. 2 INSTRUMENT PANEL WIRE




8. REMOVE ANTENNA CORD SUB-ASSEMBLY

Click here [INFO](#)

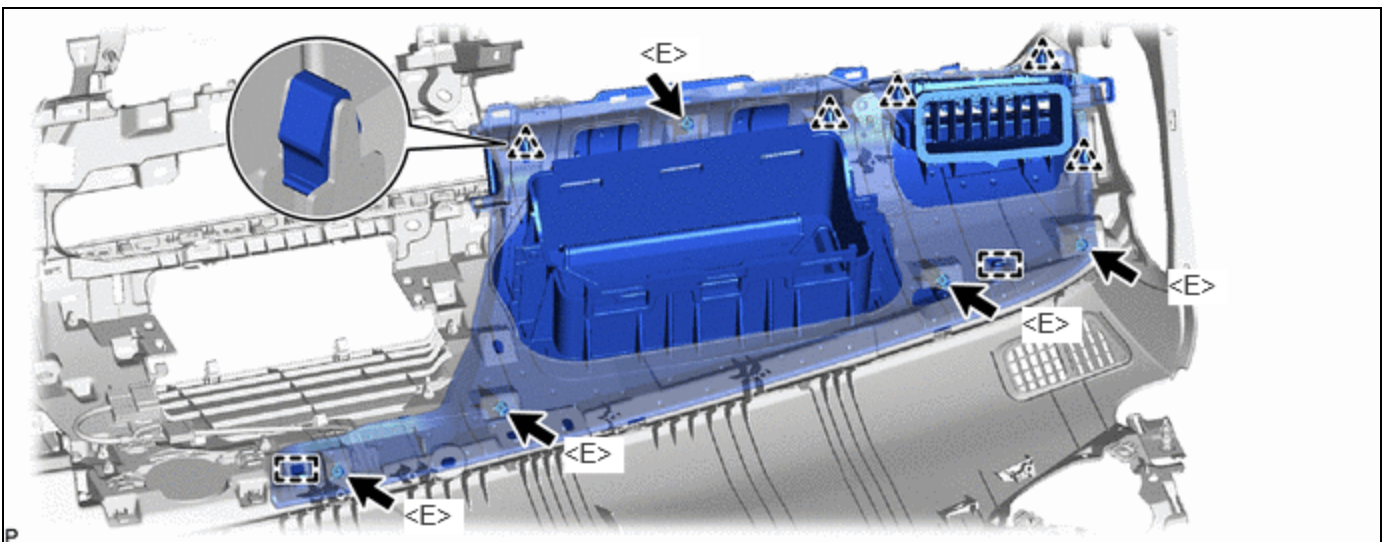
9. REMOVE NAVIGATION ANTENNA ASSEMBLY WITH BRACKET

Click here [INFO](#)

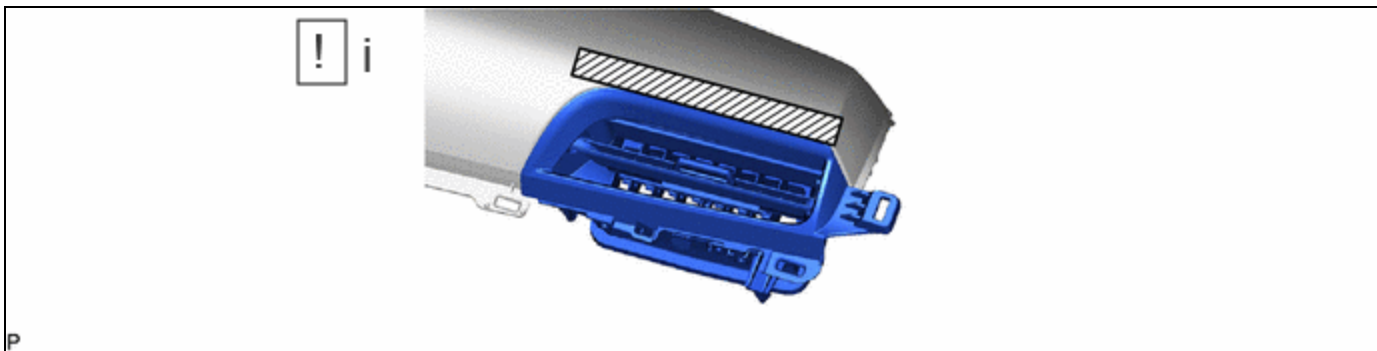
10. REMOVE INSTRUMENT PANEL PASSENGER AIRBAG ASSEMBLY

	Click here INFO
---	---------------------------------

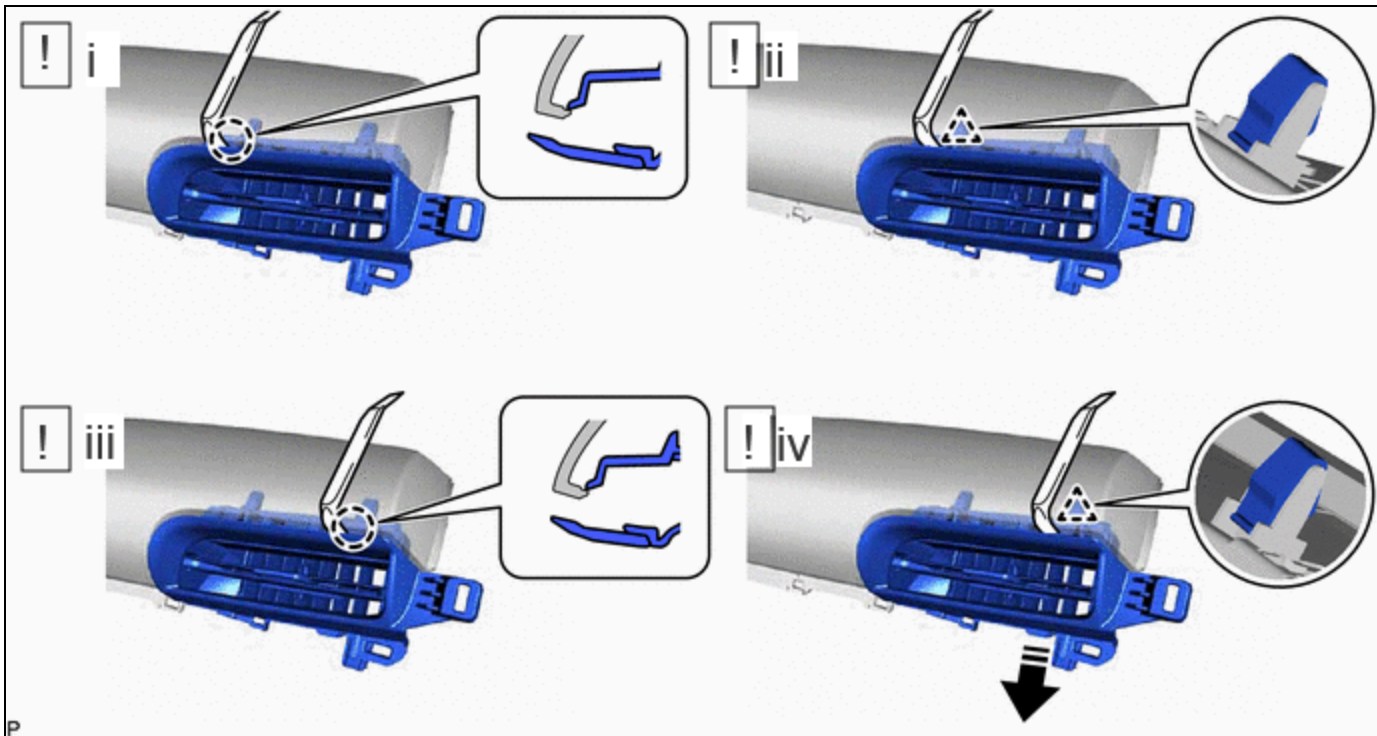
11. REMOVE NO. 1 INSTRUMENT PANEL SAFETY PAD SUB-ASSEMBLY




12. REMOVE NO. 2 INSTRUMENT PANEL REGISTER ASSEMBLY



(1) Apply protective tape to the area shown in the illustration.



	Remove in this Direction	-	-
---	--------------------------	---	---

- (1) Using a moulding remover, disengage the claw.
- (2) Using a moulding remover, disengage the clip.
- (3) Using a moulding remover, disengage the claw.
- (4) Using a moulding remover, disengage the clip as shown in the illustration to remove the No. 2 instrument panel register assembly.

13. REMOVE NO. 1 INSTRUMENT PANEL PIN

