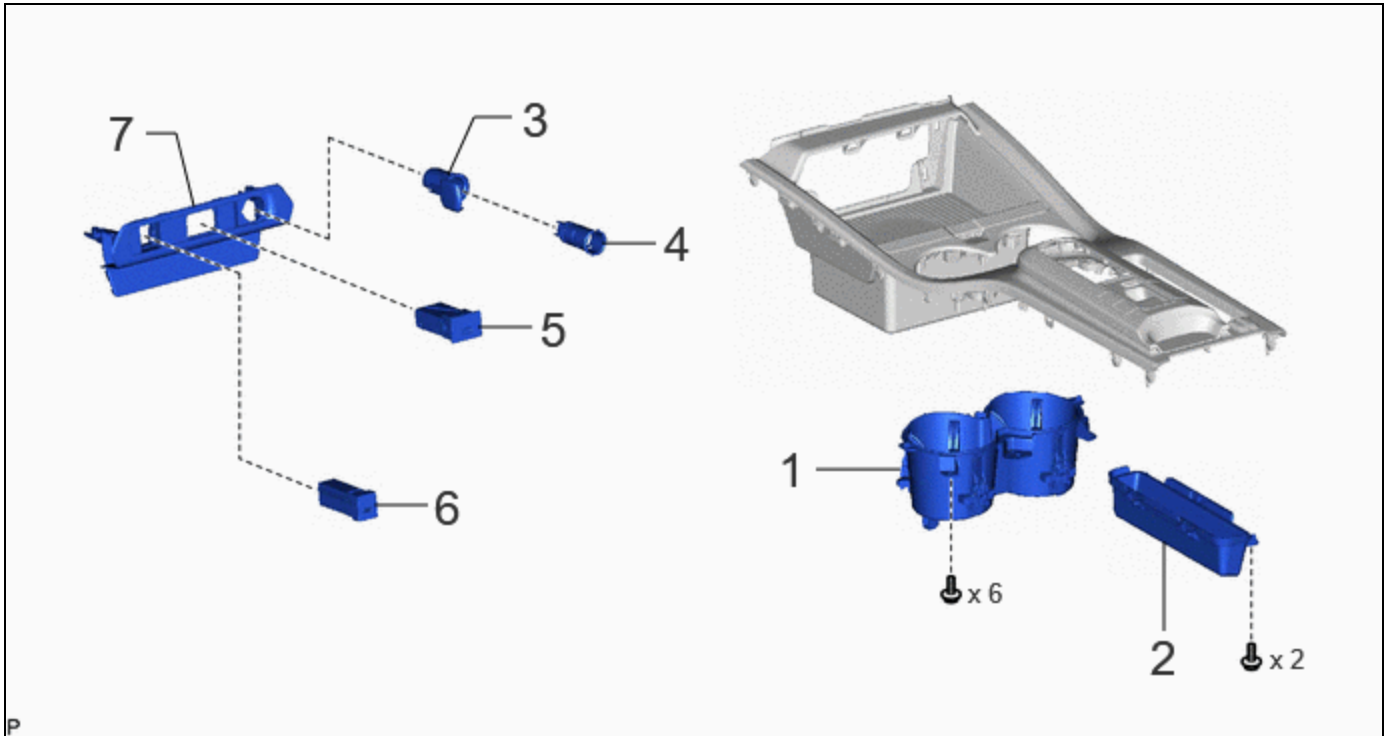


Last Modified: 12-04-2024	6.11:8.1.0	Doc ID: RM100000002907Q
Model Year Start: 2023	Model: Prius Prime	Prod Date Range: [12/2022 -]
Title: INTERIOR PANELS / TRIM: FRONT CONSOLE BOX: INSTALLATION; 2023 - 2024 MY Prius Prius Prime [12/2022 -]		

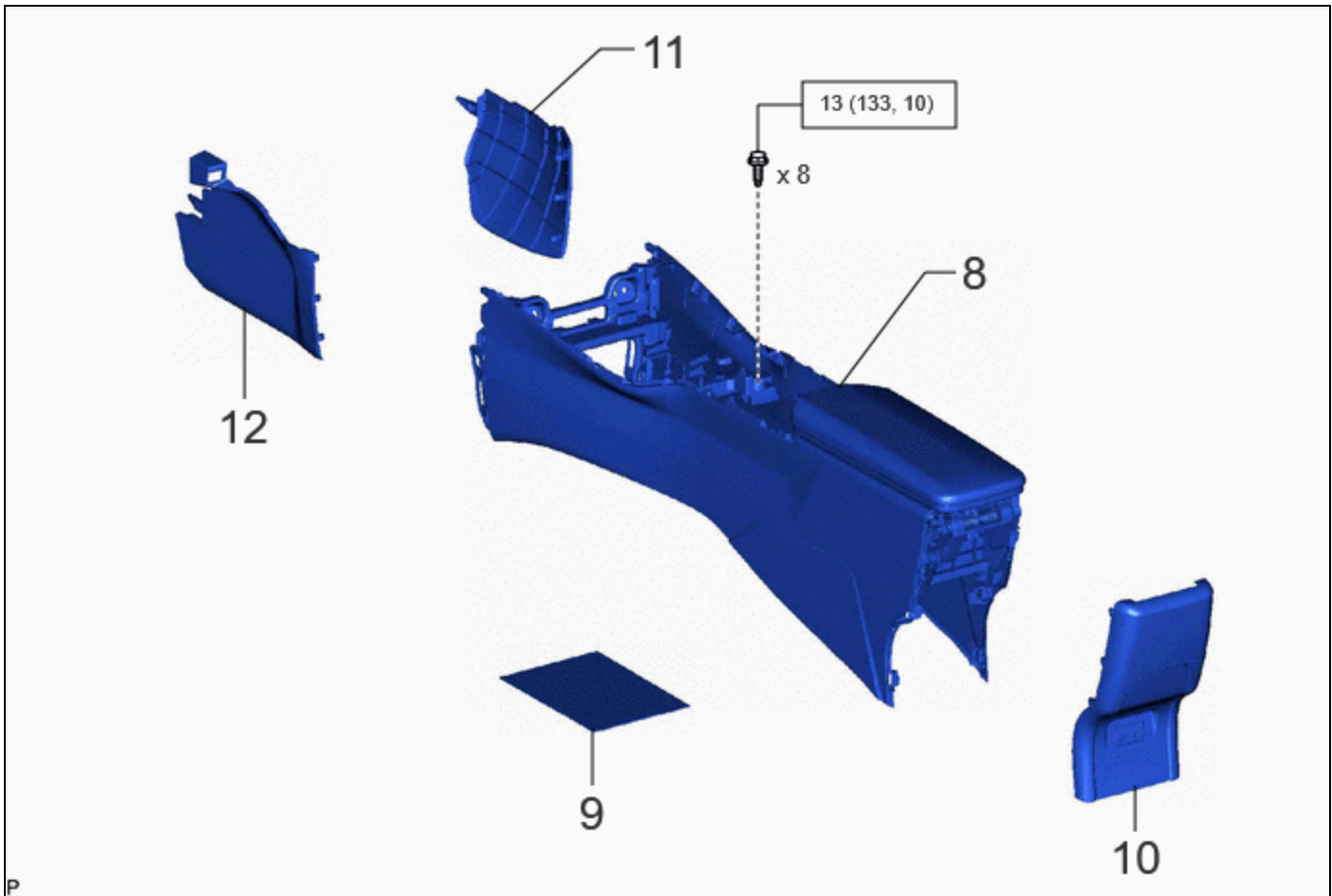
INSTALLATION

CAUTION / NOTICE / HINT

COMPONENTS (INSTALLATION)

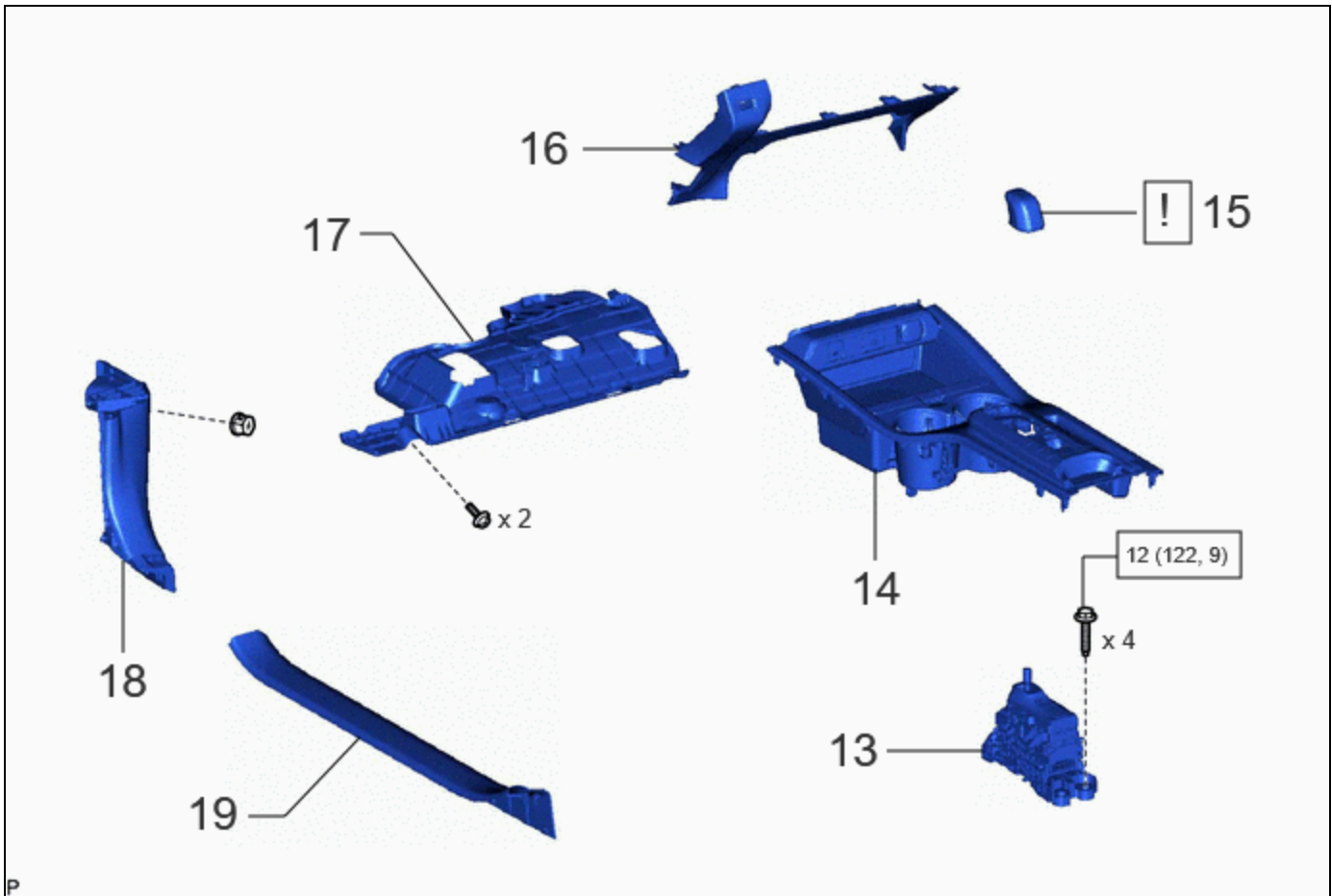


PROCEDURE		PART NAME CODE			
1	CONSOLE CUP HOLDER BOX SUB-ASSEMBLY	58803C	-	-	-
2	CONSOLE BOX POCKET	-	-	-	-
3	NO. 1 POWER OUTLET SOCKET COVER	85535B	-	-	-
4	NO. 1 POWER OUTLET SOCKET ASSEMBLY	85530	-	-	-
5	USB CHARGER SOCKET	85532	-	-	-
6	STEREO JACK ADAPTER ASSEMBLY	86190E	-	-	-
7	FRONT CONSOLE BOX COVER	58818A	-	-	-



PROCEDURE		PART NAME CODE			
8	REAR CONSOLE BOX ASSEMBLY	58910C	-	-	-
9	CONSOLE BOX CARPET	58815A	-	-	-
10	CONSOLE REAR END PANEL SUB-ASSEMBLY	58903A	-	-	-
11	FRONT NO. 2 CONSOLE BOX INSERT	58817A	-	-	-
12	FRONT NO. 1 CONSOLE BOX INSERT	58816D	-	-	-

	N*m (kgf*cm, ft.*lbf): Specified torque	-	-
--	---	---	---



PROCEDURE		PART NAME CODE			
13	TRANSMISSION FLOOR SHIFT ASSEMBLY	33550	-	-	-
14	UPPER CONSOLE PANEL SUB-ASSEMBLY	58804A	-	-	-
15	SHIFT LEVER KNOB SUB-ASSEMBLY	33504F	INFO	-	-
16	LOWER CENTER INSTRUMENT PANEL FINISH PANEL	55434B	-	-	-
17	NO. 1 INSTRUMENT PANEL UNDER COVER SUB-ASSEMBLY	55606	-	-	-
18	COWL SIDE TRIM BOARD LH	62112	-	-	-
19	FRONT DOOR SCUFF PLATE LH	67914	-	-	-

	N*m (kgf*cm, ft.*lbf): Specified torque	-	-
--	---	---	---

PROCEDURE

1. INSTALL CONSOLE CUP HOLDER BOX SUB-ASSEMBLY

- 2. INSTALL CONSOLE BOX POCKET**
- 3. INSTALL NO. 1 POWER OUTLET SOCKET COVER**
- 4. INSTALL NO. 1 POWER OUTLET SOCKET ASSEMBLY**
- 5. INSTALL USB CHARGER SOCKET**
- 6. INSTALL STEREO JACK ADAPTER ASSEMBLY**
- 7. INSTALL FRONT CONSOLE BOX COVER**
- 8. INSTALL REAR CONSOLE BOX ASSEMBLY**

Torque:

13 N·m {133 kgf·cm, 10 ft·lbf}

- 9. INSTALL CONSOLE BOX CARPET**
- 10. INSTALL CONSOLE REAR END PANEL SUB-ASSEMBLY**
- 11. INSTALL FRONT NO. 2 CONSOLE BOX INSERT**
- 12. INSTALL FRONT NO. 1 CONSOLE BOX INSERT**
- 13. INSTALL TRANSMISSION FLOOR SHIFT ASSEMBLY**

Click here [INFO](#)

- 14. INSTALL UPPER CONSOLE PANEL SUB-ASSEMBLY**
- 15. INSTALL SHIFT LEVER KNOB SUB-ASSEMBLY**

	Click here INFO
---	---------------------------------

- 16. INSTALL LOWER CENTER INSTRUMENT PANEL FINISH PANEL**
- 17. INSTALL NO. 1 INSTRUMENT PANEL UNDER COVER SUB-ASSEMBLY**
- 18. INSTALL COWL SIDE TRIM BOARD LH**
- 19. INSTALL FRONT DOOR SCUFF PLATE LH**

