

Last Modified: 12-04-2024	6.11:8.1.0	Doc ID: RM10000002AXDA
Model Year Start: 2023	Model: Prius Prime	Prod Date Range: [03/2023 -]
Title: HEATING / AIR CONDITIONING: RELAY: ON-VEHICLE INSPECTION; 2023 - 2024 MY Prius Prius Prime [03/2023 -]		

ON-VEHICLE INSPECTION

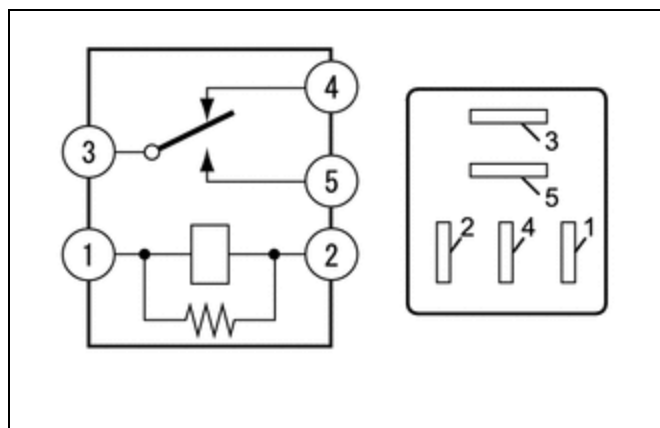
PROCEDURE

1. INSPECT MAGNET-CLUTCH RELAY

(a) Measure the resistance according to the value(s) in the table below.

Standard Resistance:

TESTER CONNECTION	CONDITION	SPECIFIED CONDITION	RESULT
3 - 4	Battery voltage is not applied between terminals 1 and 2	Below 1 Ω	Ω
3 - 5	Battery voltage is not applied between terminals 1 and 2	10 k Ω or higher	k Ω
3 - 4	Battery voltage is applied between terminals 1 and 2	10 k Ω or higher	k Ω
3 - 5	Battery voltage is applied between terminals 1 and 2	Below 1 Ω	Ω



*a Component without harness connected (Magnet-Clutch Relay)

If the result is not as specified, replace the magnet-clutch relay.

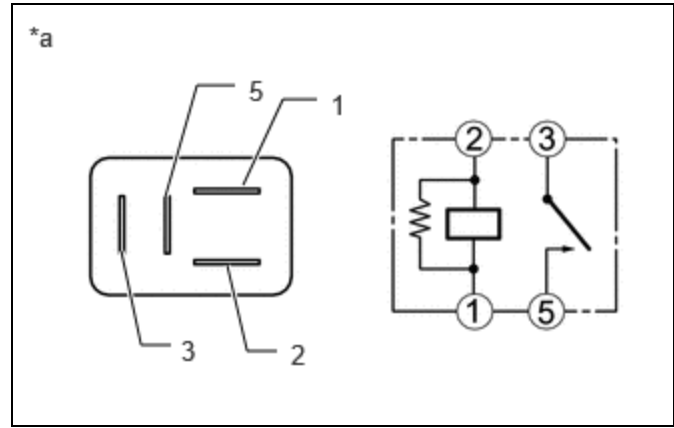
2. INSPECT IGB RELAY

(a) Measure the resistance according to the value(s) in the table below.

Standard Resistance:

TESTER CONNECTION	CONDITION	SPECIFIED CONDITION	RESULT
3 - 5	Battery voltage is not applied between terminals 1 and 2	10 kΩ or higher	kΩ
3 - 5	Battery voltage is applied between terminals 1 and 2	Below 1 Ω	Ω

If the result is not as specified, replace the IGB relay.



*a Component without harness connected (IGB Relay)

