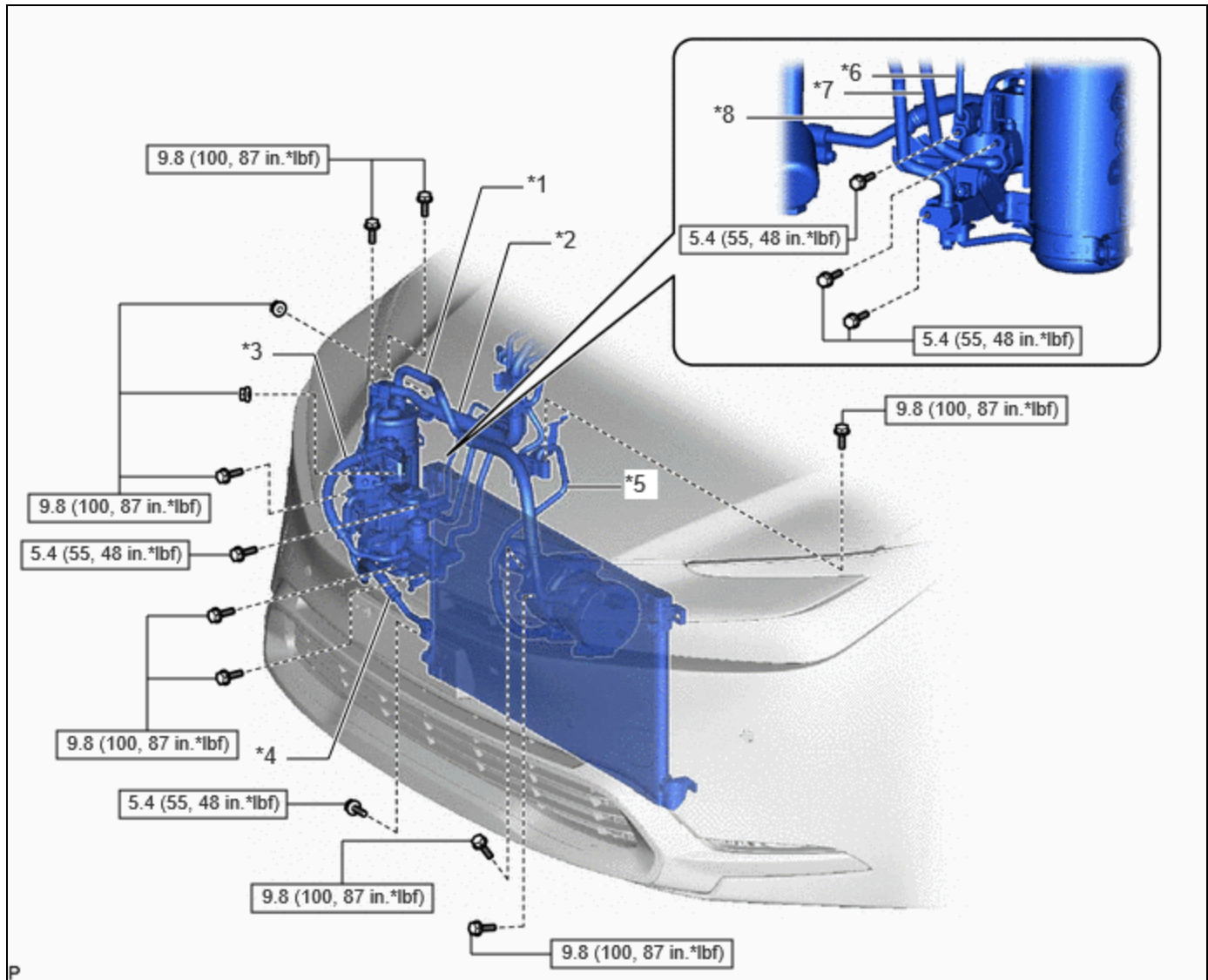
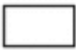


Last Modified: 12-04-2024	6.11:8.1.0	Doc ID: RM100000002AXF2
Model Year Start: 2023	Model: Prius Prime	Prod Date Range: [03/2023 -]
Title: HEATING / AIR CONDITIONING: REFRIGERANT LINE (for PHEV Model): COMPONENTS; 2023 - 2024 MY Prius Prime [03/2023 -]		

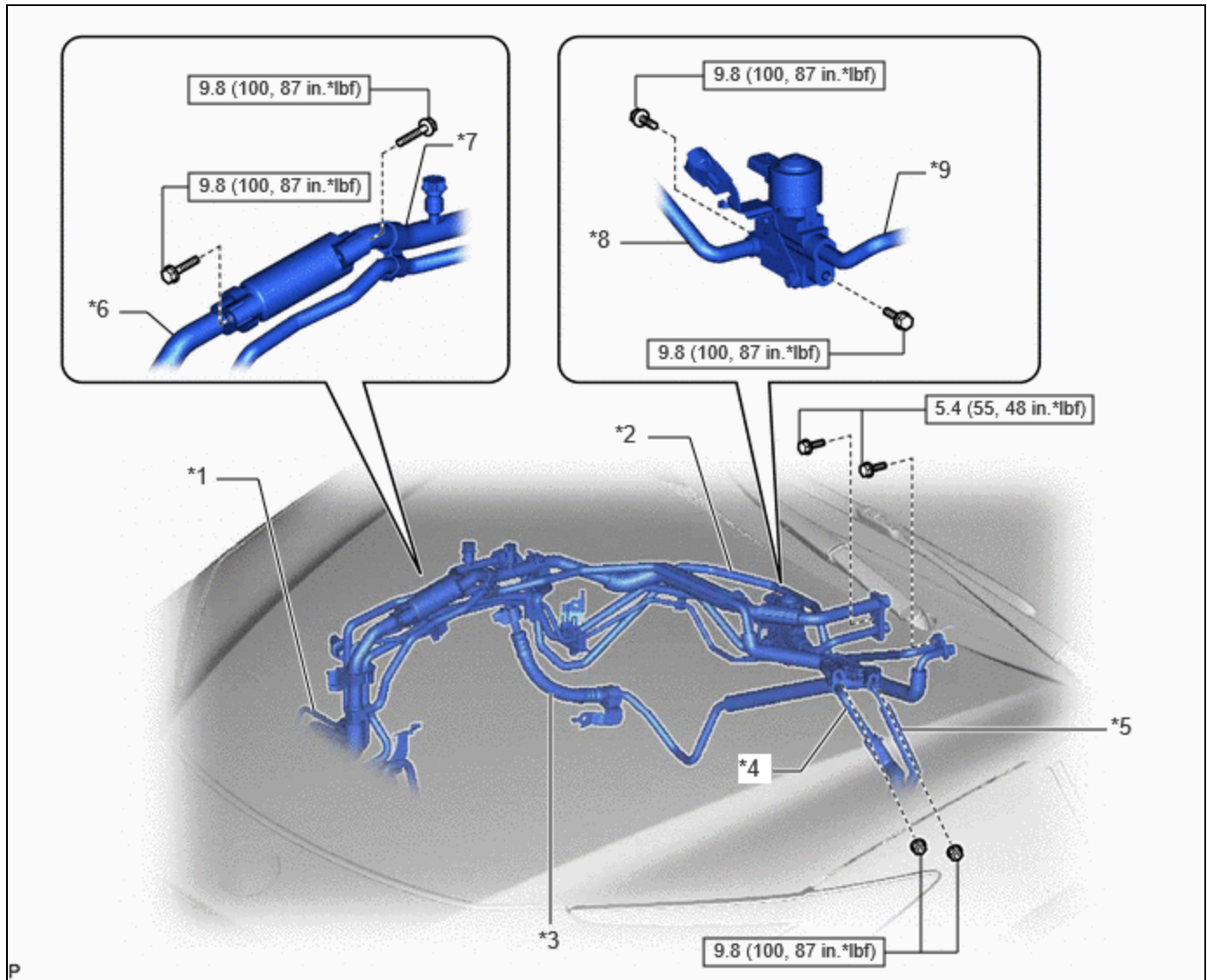
COMPONENTS

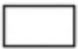
ILLUSTRATION



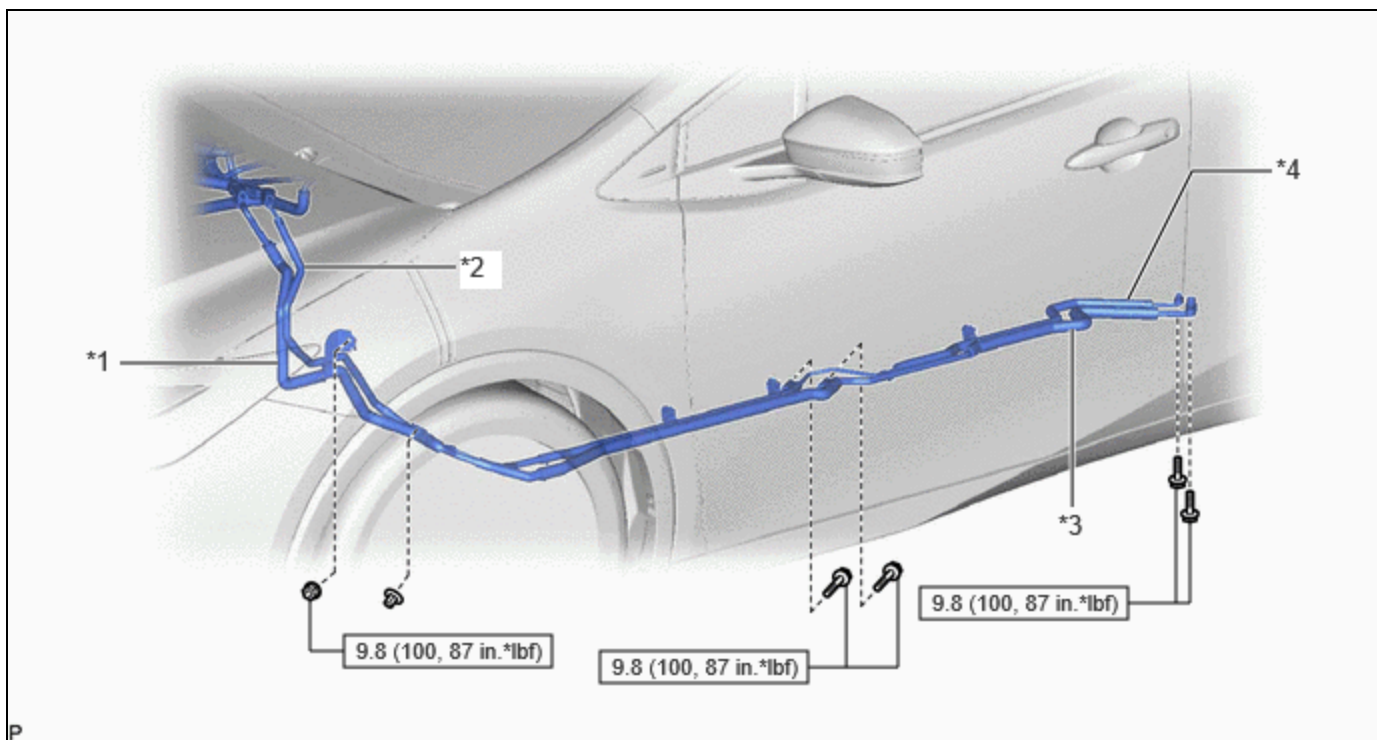
*1	SUCTION HOSE SUB-ASSEMBLY	*2	AIR CONDITIONING TUBE ASSEMBLY
*3	NO. 1 COOLER REFRIGERANT DISCHARGE HOSE	*4	NO. 1 DISCHARGE HOSE SUB-ASSEMBLY
*5	DISCHARGE HOSE SUB-ASSEMBLY	*6	LIQUID TUBE SUB-ASSEMBLY A
*7	NO. 8 DISCHARGE TUBE	*8	DISCHARGE TUBE SUB-ASSEMBLY
	N*m (kgf*cm, ft.*lbf): Specified torque	-	-

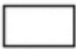
ILLUSTRATION



*1	LIQUID TUBE SUB-ASSEMBLY A	*2	DISCHARGE TUBE SUB-ASSEMBLY
*3	NO. 2 DISCHARGE HOSE SUB-ASSEMBLY	*4	NO. 1 DISCHARGE TUBE
*5	LIQUID TUBE SUB-ASSEMBLY B	*6	AIR CONDITIONING TUBE ASSEMBLY
*7	NO. 1 SUCTION TUBE	*8	NO. 8 DISCHARGE TUBE
*9	NO. 7 DISCHARGE TUBE	-	-
	N*m (kgf*cm, ft.*lbf): Specified torque	-	-

ILLUSTRATION



*1	NO. 1 DISCHARGE TUBE	*2	LIQUID TUBE SUB-ASSEMBLY B
*3	NO. 2 DISCHARGE TUBE	*4	LIQUID TUBE SUB-ASSEMBLY C
	N*m (kgf*cm, ft.*lbf): Specified torque	-	-

