

Last Modified: 12-04-2024	6.11:8.1.0	Doc ID: RM10000002AXEM
Model Year Start: 2023	Model: Prius Prime	Prod Date Range: [03/2023 -]
Title: HEATING / AIR CONDITIONING: HIGH PRESSURE MAGNETIC VALVE: REMOVAL; 2023 - 2024 MY Prius Prius Prime [03/2023 -]		

REMOVAL

CAUTION / NOTICE / HINT

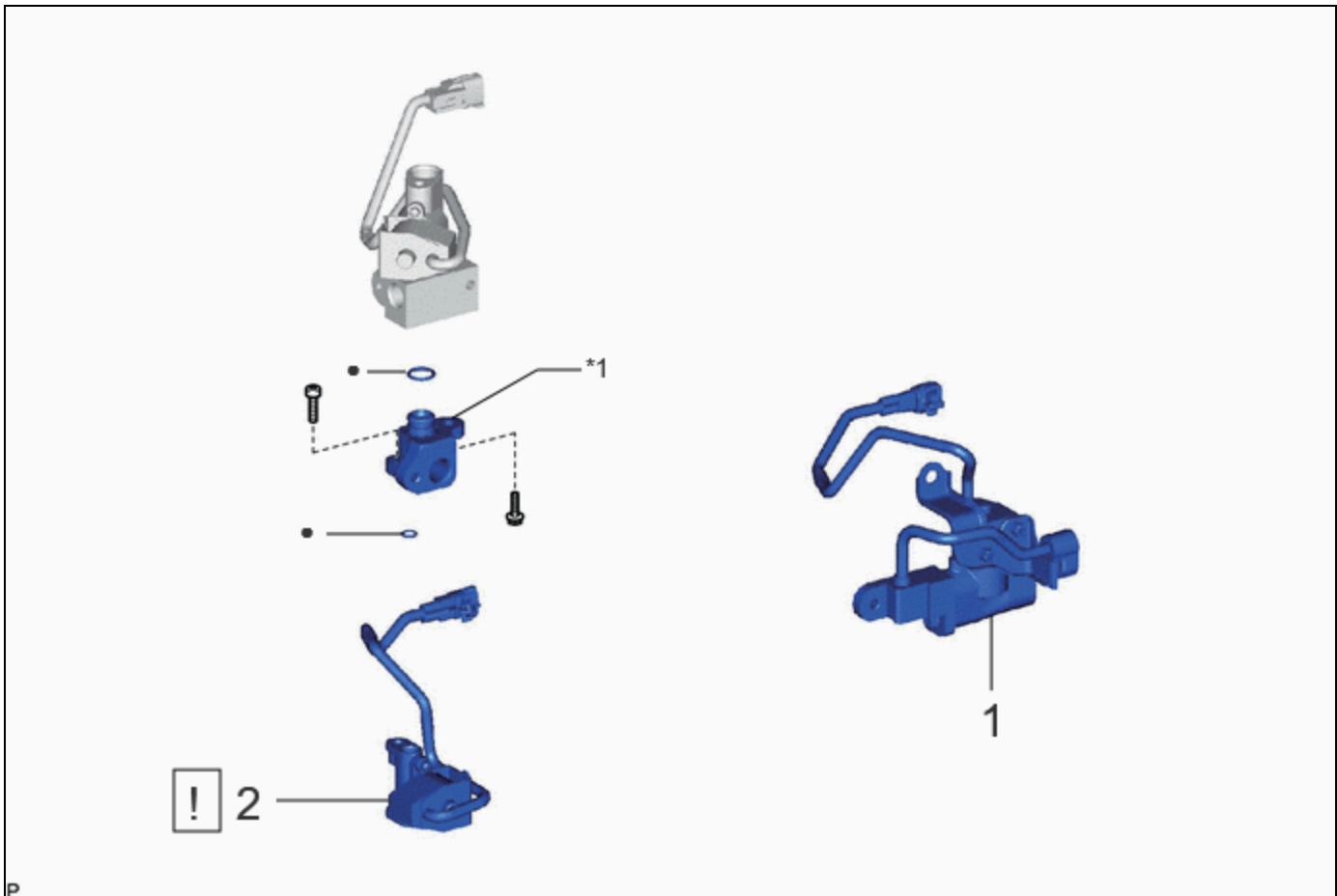
The necessary procedures (adjustment, calibration, initialization or registration) that must be performed after parts are removed and installed, or replaced during No. 2 magnet valve assembly removal/installation are shown below.




Necessary Procedures After Parts Removed/Installed/Replaced

REPLACED PART OR PERFORMED PROCEDURE	NECESSARY PROCEDURES	EFFECT/INOPERATIVE FUNCTION WHEN NECESSARY PROCEDURES ARE NOT PERFORMED	LINK
Front bumper assembly*	Front television camera view adjustment	Panoramic View Monitor System	INFO
		Advanced Park	INFO
*: Even when not replacing the part, it is necessary to perform the specified necessary procedures after installation.			

CAUTION / NOTICE / HINT

COMPONENTS (REMOVAL)



PROCEDURE		PART NAME CODE			
1	NO. 1 MAGNET VALVE ASSEMBLY	88690M	-	-	-
2	NO. 2 MAGNET VALVE ASSEMBLY	88690N	INFO	-	-

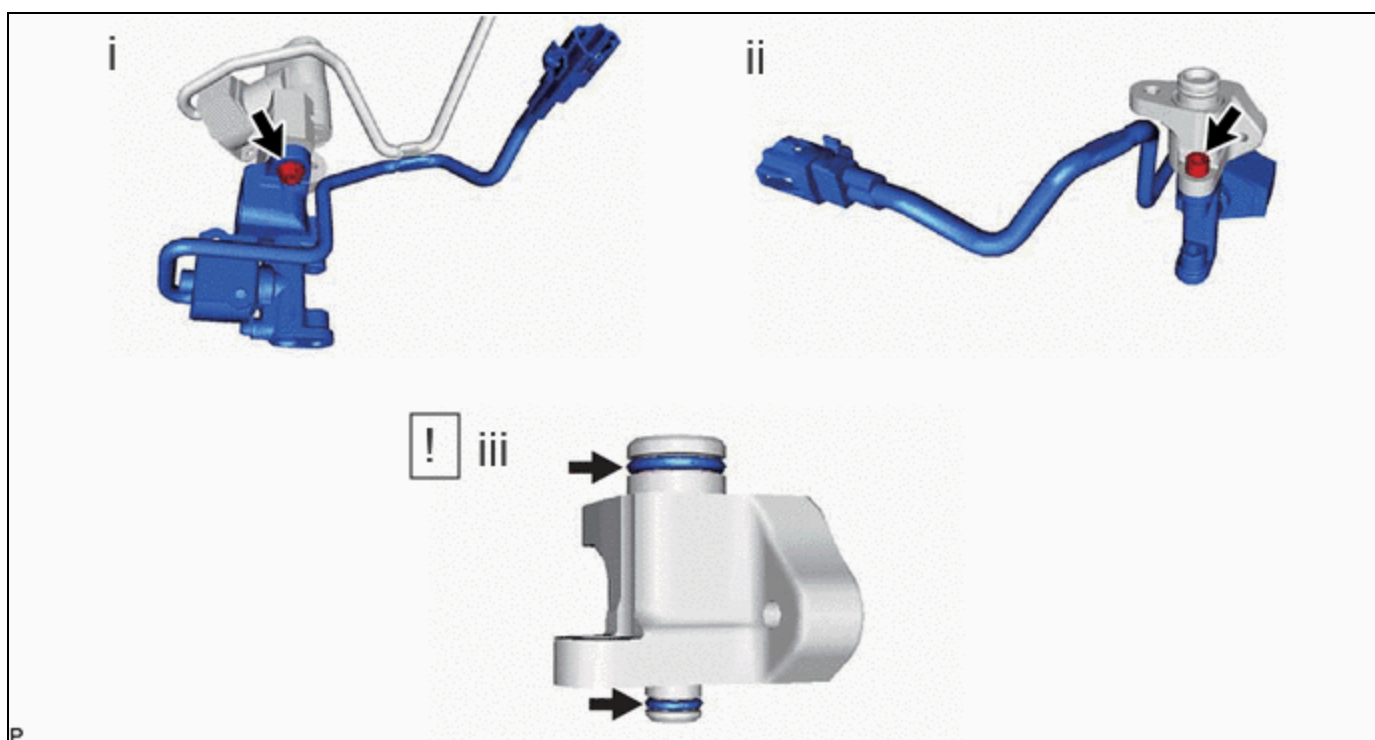
*1	VALVE TO CONNECTOR TUBE	-	-
•	Non-reusable part	-	-

PROCEDURE

1. REMOVE NO. 1 MAGNET VALVE ASSEMBLY

Click here [INFO](#)

2. REMOVE NO. 2 MAGNET VALVE ASSEMBLY



- (1) Remove the bolt and No. 2 magnet valve assembly with valve to connector tube.
- (2) Using a 5 mm hexagon socket wrench, remove the hexagon bolt and No. 2 magnet valve assembly from the valve to connector tube.

NOTICE:

Do not apply excessive force to the valve to connector tube.

- (3) Remove the 2 O-rings from the valve to connector tube.

NOTICE:

Seal the openings of the disconnected parts using vinyl tape to prevent entry of moisture and foreign matter.

