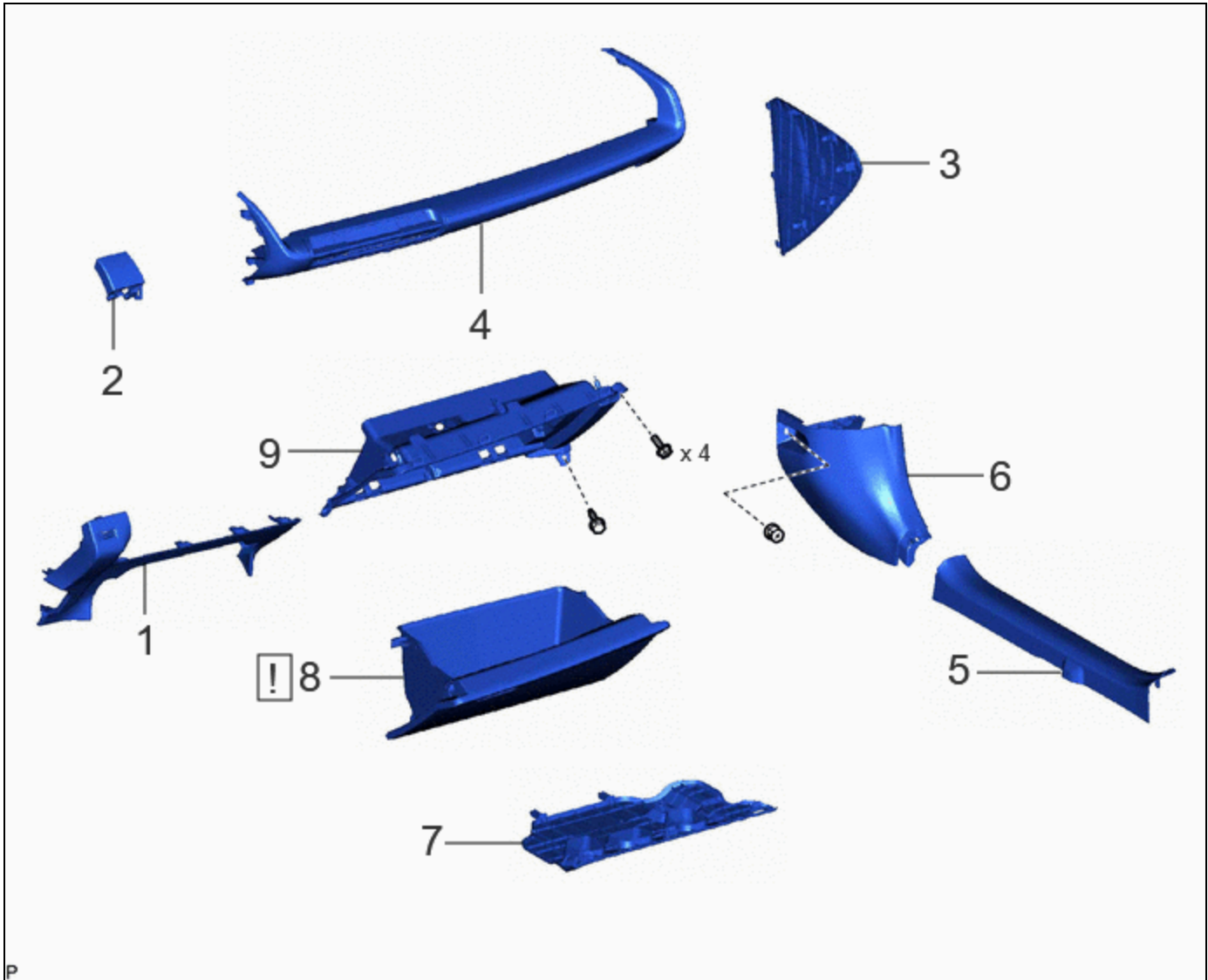


Last Modified: 12-04-2024	6.11:8.1.0	Doc ID: RM100000002AXE5
Model Year Start: 2023	Model: Prius Prime	Prod Date Range: [03/2023 -]
Title: HEATING / AIR CONDITIONING: HEAT PUMP ECU: REMOVAL; 2023 - 2024 MY Prius Prius Prime [03/2023 -]		

REMOVAL

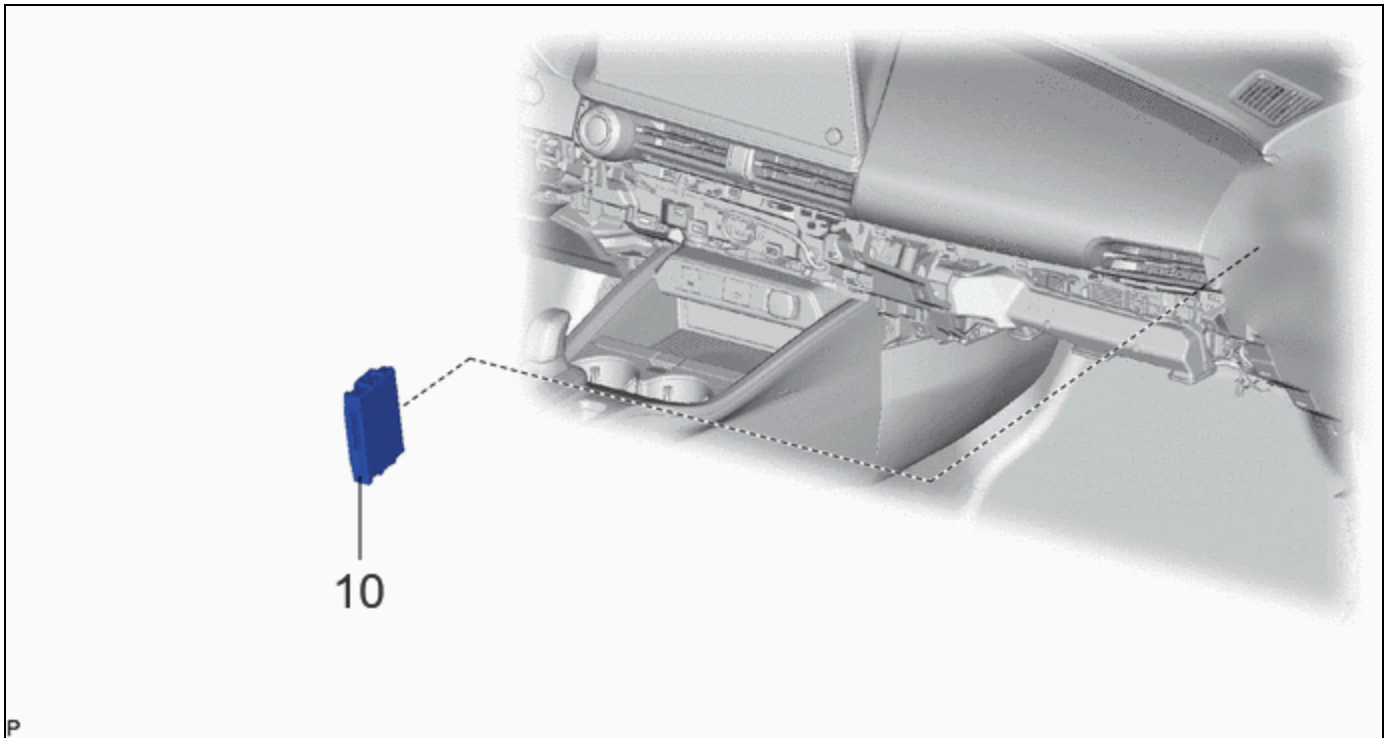
CAUTION / NOTICE / HINT

COMPONENTS (REMOVAL)



PROCEDURE		PART NAME CODE			
1	LOWER CENTER INSTRUMENT PANEL FINISH PANEL	55434B	-	-	-

	PROCEDURE	PART NAME CODE	!	📄	⚙️
2	LOWER CENTER INSTRUMENT CLUSTER FINISH PANEL SUB-ASSEMBLY	55406B	-	-	-
3	INSTRUMENT SIDE PANEL RH	55317A	-	-	-
4	NO. 2 INSTRUMENT PANEL GARNISH SUB-ASSEMBLY WITH AIR CONDITIONING CONTROL ASSEMBLY	-	-	-	-
5	FRONT DOOR SCUFF PLATE RH	67913	-	-	-
6	COWL SIDE TRIM BOARD RH	62111C	-	-	-
7	NO. 2 INSTRUMENT PANEL UNDER COVER SUB-ASSEMBLY	55607	-	-	-
8	GLOVE COMPARTMENT DOOR ASSEMBLY	55550	INFO	-	-
9	LOWER INSTRUMENT PANEL SUB-ASSEMBLY	55303B	-	-	-



	PROCEDURE	PART NAME CODE	!	📄	⚙️
10	HEAT PUMP ECU ASSEMBLY	886A0	-	-	-

PROCEDURE

1. REMOVE LOWER CENTER INSTRUMENT PANEL FINISH PANEL

Click here [INFO](#)

2. REMOVE LOWER CENTER INSTRUMENT CLUSTER FINISH PANEL SUB-ASSEMBLY

Click here [INFO](#)

3. REMOVE INSTRUMENT SIDE PANEL RH

Click here [INFO](#)

4. REMOVE NO. 2 INSTRUMENT PANEL GARNISH SUB-ASSEMBLY WITH AIR CONDITIONING CONTROL ASSEMBLY

Click here [INFO](#)

5. REMOVE FRONT DOOR SCUFF PLATE RH

(a) Use the same procedure as for the LH side.

Click here [INFO](#)

6. REMOVE COWL SIDE TRIM BOARD RH

(a) Use the same procedure as for the LH side.

Click here [INFO](#)

7. REMOVE NO. 2 INSTRUMENT PANEL UNDER COVER SUB-ASSEMBLY

Click here [INFO](#)

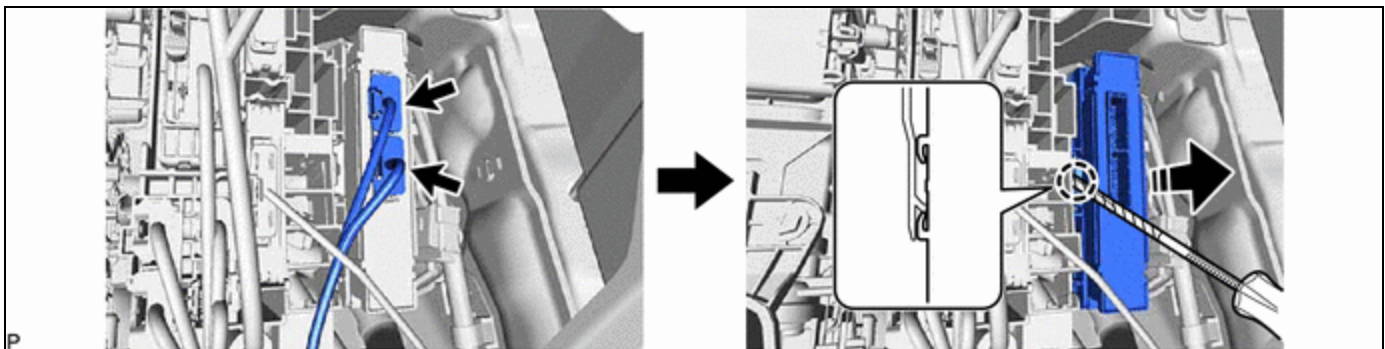
8. REMOVE GLOVE COMPARTMENT DOOR ASSEMBLY

	Click here INFO
--	---------------------------------

9. REMOVE LOWER INSTRUMENT PANEL SUB-ASSEMBLY

Click here [INFO](#)

10. REMOVE HEAT PUMP ECU ASSEMBLY



	Remove in this Direction	-	-
--	--------------------------	---	---

