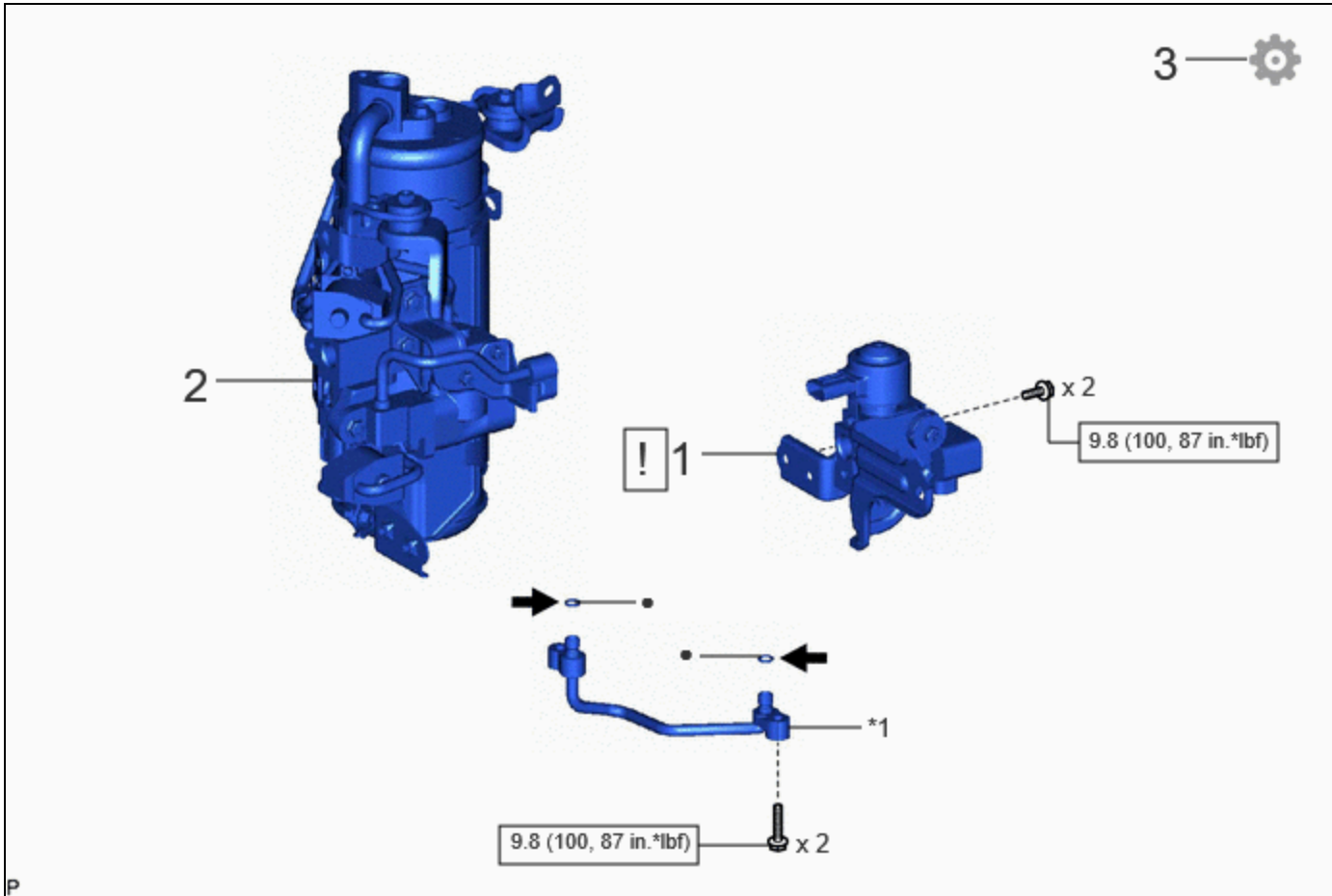


Last Modified: 12-04-2024	6.11:8.1.0	Doc ID: RM10000002AXEJ
Model Year Start: 2023	Model: Prius Prime	Prod Date Range: [03/2023 -]
Title: HEATING / AIR CONDITIONING: ELECTRIC EXPANSION VALVE (HEATING): INSTALLATION; 2023 - 2024 MY Prius Prius Prime [03/2023 -]		

INSTALLATION

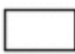

CAUTION / NOTICE / HINT

COMPONENTS (INSTALLATION)



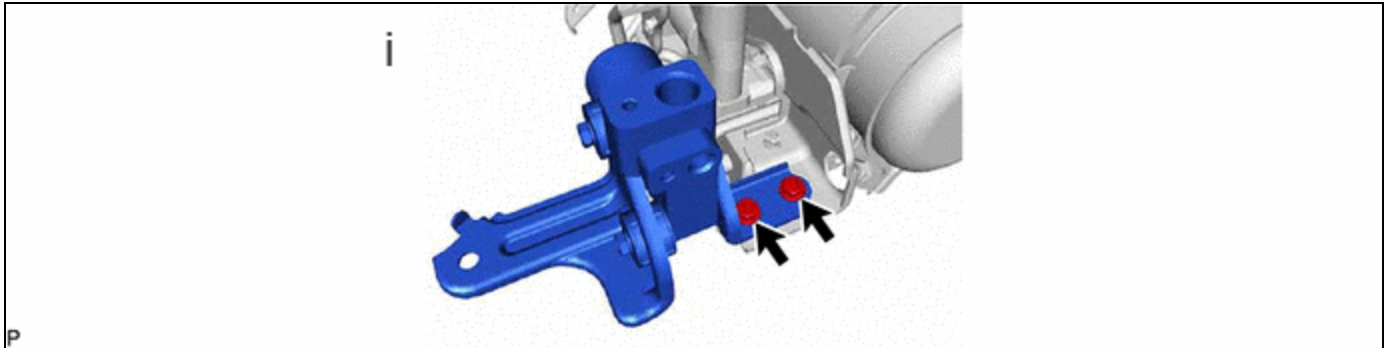
	PROCEDURE	PART NAME CODE	!	📄	⚙️
1	MAGNET VALVE ASSEMBLY	88690K	INFO	-	-
2	ACCUMULATOR ASSEMBLY	88470H	-	-	-
3	INITIALIZATION MAGNET VALVE ASSEMBLY	88690K	-	-	INFO

*1	NO. 3 LIQUID TUBE	-	-
----	-------------------	---	---

	N*m (kgf*cm, ft.*lbf): Specified torque	<ul style="list-style-type: none"> • Non-reusable part
	Compressor oil ND-OIL 11 or equivalent	-

PROCEDURE

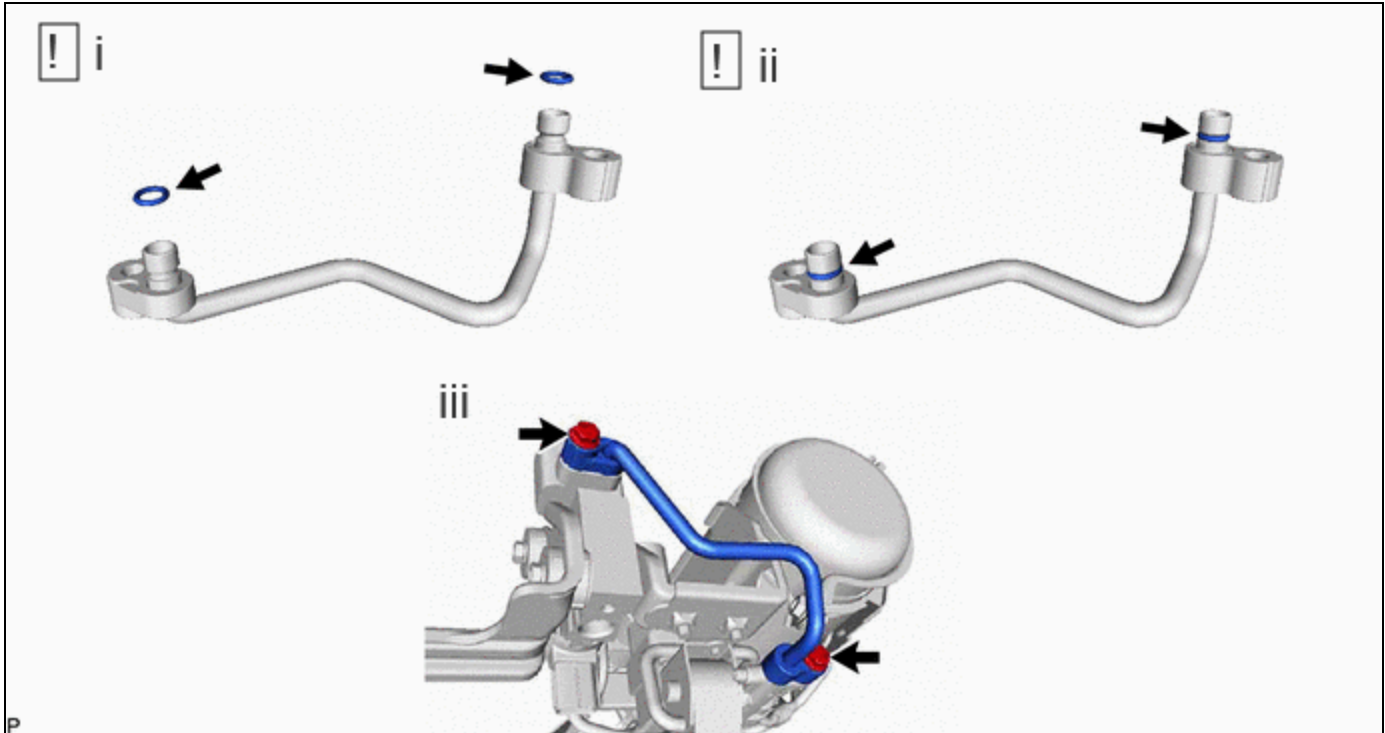
1. INSTALL MAGNET VALVE ASSEMBLY



(1) Install the magnet valve assembly with the 2 bolts.

Torque:

9.8 N·m {100 kgf·cm, 87 in·lbf}



(1) Remove the vinyl tape, and sufficiently apply compressor oil to 2 new O-rings and the fitting surface of the No. 3 liquid tube.

Compressor Oil:
 ND-OIL 11 or equivalent

(2) Install the 2 O-rings to the No. 3 liquid tube.

NOTICE:

Keep the O-ring and O-ring fitting surface free of foreign matter.

(3) Install the No. 3 liquid tube with the 2 bolts.

Torque:

9.8 N·m {100 kgf·cm, 87 in·lbf}

2. INSTALL ACCUMULATOR ASSEMBLY

Click here 

3. INITIALIZATION MAGNET VALVE ASSEMBLY

Click here 

