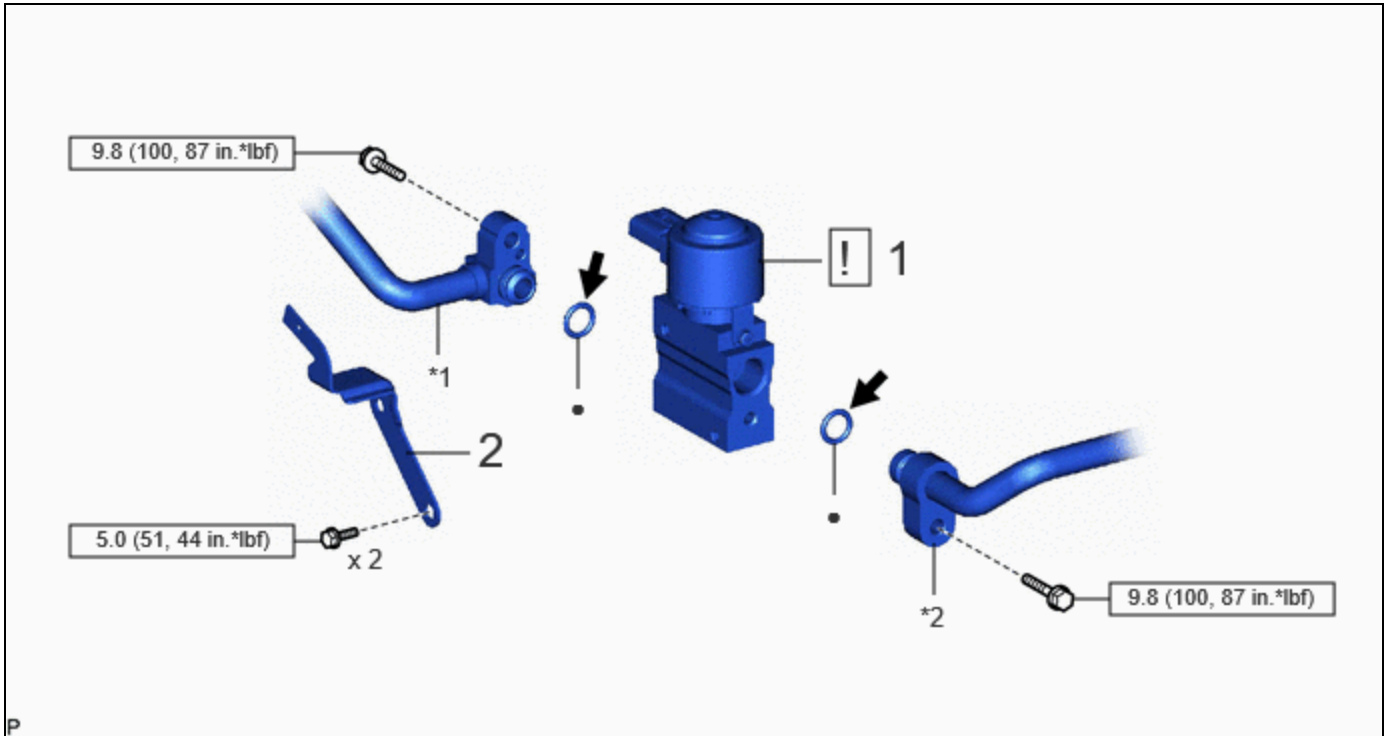


| | | |
|---|---------------------------|--------------------------------------|
| Last Modified: 12-04-2024 | 6.11:8.1.0 | Doc ID: RM10000002AXEH |
| Model Year Start: 2023 | Model: Prius Prime | Prod Date Range: [03/2023 -] |
| Title: HEATING / AIR CONDITIONING: ELECTRIC EXPANSION VALVE (COOLING): INSTALLATION; 2023 - 2024 MY Prius Prius Prime [03/2023 -] | | |

INSTALLATION

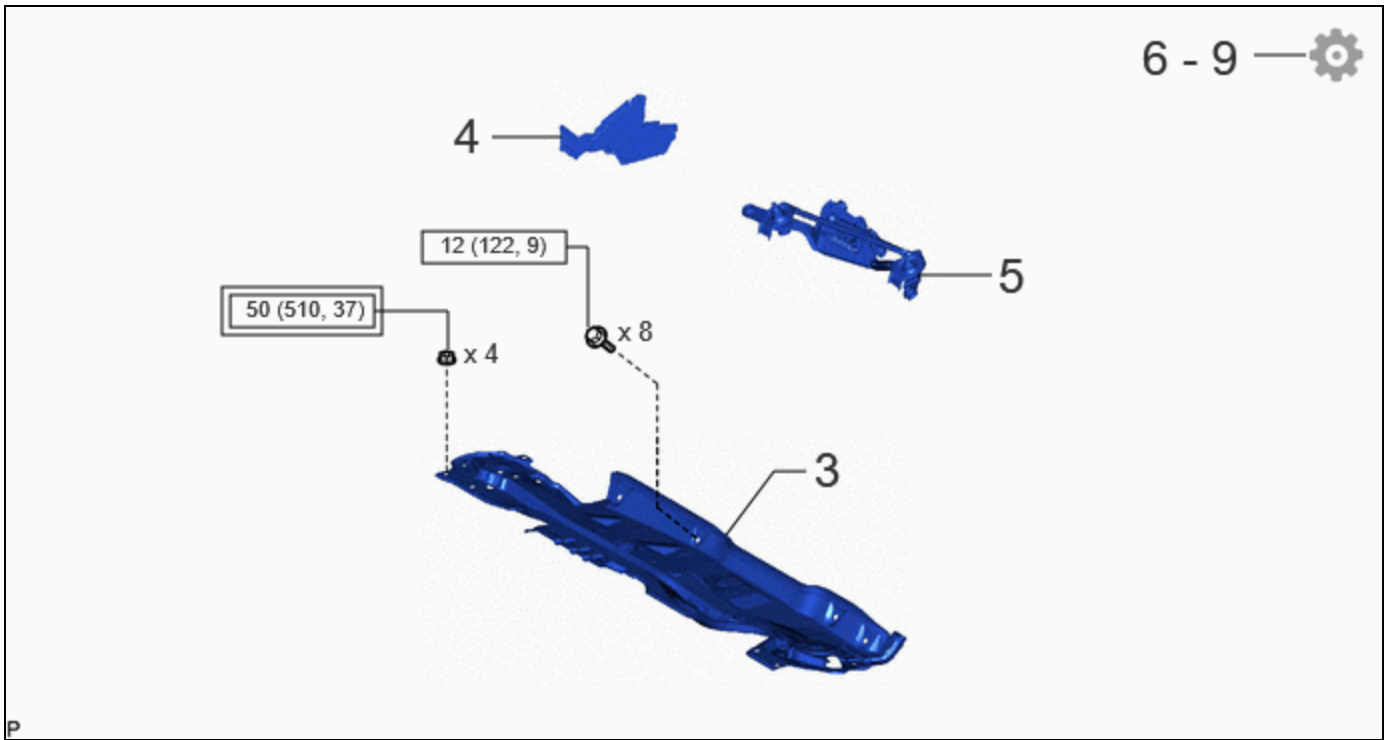
CAUTION / NOTICE / HINT

COMPONENTS (INSTALLATION)



| PROCEDURE | PART NAME CODE | | | |
|--------------------------|----------------|-------------|---|---|
| 1 COOLER EXPANSION VALVE | 88515A | INFO | - | - |
| 2 COOLER BRACKET | - | - | - | - |

| *1 | NO. 8 DISCHARGE TUBE | *2 | NO. 7 DISCHARGE TUBE |
|----|---|----|----------------------|
| | N*m (kgf*cm, ft.*lbf): Specified torque | | Non-reusable part |
| | Compressor oil ND-OIL 11 or equivalent | - | - |

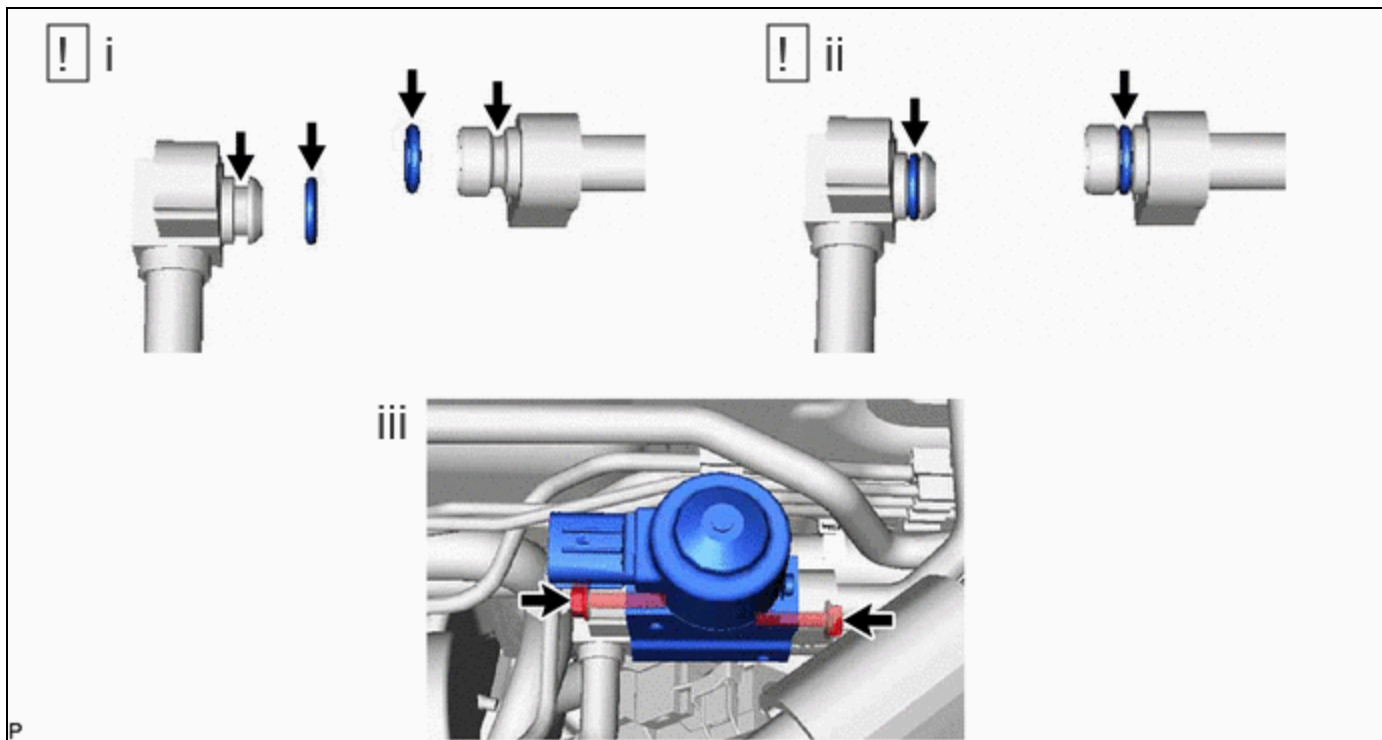


| PROCEDURE | PART NAME CODE | | | |
|---|----------------|---|---|----------------------|
| 3 OUTER COWL TOP PANEL SUB-ASSEMBLY | 55701J | - | - | - |
| 4 WATER GUARD PLATE | 55734D | - | - | - |
| 5 WINDSHIELD WIPER MOTOR AND LINK ASSEMBLY | - | - | - | - |
| 6 CHARGE AIR CONDITIONING SYSTEM WITH REFRIGERANT | - | - | - | INFO |
| 7 WARM UP COMPRESSOR | - | - | - | INFO |
| 8 INSPECT FOR REFRIGERANT LEAK | - | - | - | INFO |
| 9 INITIALIZATION COOLER EXPANSION VALVE | - | - | - | INFO |

| | | | |
|--|--|--|---|
| | Tightening torque for "Major areas involving basic vehicle performance such as moving/turning/stopping": N*m (kgf*cm, ft.*lbf) | | N*m (kgf*cm, ft.*lbf): Specified torque |
|--|--|--|---|

PROCEDURE

1. INSTALL COOLER EXPANSION VALVE



- (1) Remove the vinyl tape from the No. 7 discharge tube, No. 8 discharge tube and cooler expansion valve, and sufficiently apply compressor oil to 2 new O-rings and the fitting surface of the No. 7 discharge tube and No. 8 discharge tube.

Compressor Oil:

ND-OIL 11 or equivalent

- (2) Install the 2 O-rings to the No. 7 discharge tube and No. 8 discharge tube.

NOTICE:

Keep the O-ring and O-ring fitting surface free from foreign matter.

- (3) Install the cooler expansion valve with the 2 bolts.

Torque:

9.8 N·m {100 kgf·cm, 87 in·lbf}

2. INSTALL COOLER BRACKET

Torque:

5.0 N·m {51 kgf·cm, 44 in·lbf}

3. INSTALL OUTER COWL TOP PANEL SUB-ASSEMBLY

Click here [INFO](#)

4. INSTALL WATER GUARD PLATE

5. INSTALL WINDSHIELD WIPER MOTOR AND LINK ASSEMBLY

Click here [INFO](#)

6. CHARGE AIR CONDITIONING SYSTEM WITH REFRIGERANT

- (a) for HFC-134a (R134a):

Click here [INFO](#)

- (b) for HFO-1234yf (R1234yf):

Click here [INFO](#)

7. WARM UP COMPRESSOR

(a) for HFC-134a (R134a):

Click here [INFO](#)

(b) for HFO-1234yf (R1234yf):

Click here [INFO](#)

8. INSPECT FOR REFRIGERANT LEAK

(a) for HFC-134a (R134a):

Click here [INFO](#)

(b) for HFO-1234yf (R1234yf):

Click here [INFO](#)

9. INITIALIZATION COOLER EXPANSION VALVE

Click here [INFO](#)

