

Last Modified: 12-04-2024	6.11:8.1.0	Doc ID: RM10000002AXED
Model Year Start: 2023	Model: Prius Prime	Prod Date Range: [03/2023 -]
Title: HEATING / AIR CONDITIONING: DISCHARGE TEMPERATURE SENSOR: REMOVAL; 2023 - 2024 MY Prius Prius Prime [03/2023 -]		

REMOVAL

CAUTION / NOTICE / HINT

The necessary procedures (adjustment, calibration, initialization or registration) that must be performed after parts are removed and installed, or replaced during discharge temperature sensor removal/installation are shown below.

Necessary Procedures After Parts Removed/Installed/Replaced

REPLACED PART OR PERFORMED PROCEDURE	NECESSARY PROCEDURES	EFFECT/INOPERATIVE FUNCTION WHEN NECESSARY PROCEDURES ARE NOT PERFORMED	LINK
w/ Occupant Classification System: Front passenger seat*	Zero point calibration (Occupant classification system)	<ul style="list-style-type: none"> • Occupant Classification System • Passenger airbag ON/OFF indicator • Airbag System (Front passenger side) • Seat Belt Warning System (Front passenger) 	INFO
*: Even when not replacing the part, it is necessary to perform the specified necessary procedures after installation.			

CAUTION / NOTICE / HINT

CAUTION:

Be sure to read Precaution thoroughly before servicing.



[Click here](#) [INFO](#)

NOTICE:

After the ignition switch is turned off, there may be a waiting time before disconnecting the negative (-) auxiliary battery terminal.

[Click here](#) [INFO](#)

HINT:

When the cable is disconnected / reconnected to the auxiliary battery terminal, systems temporarily stop operating. However, each system has a function that completes learning the first time the system is used.

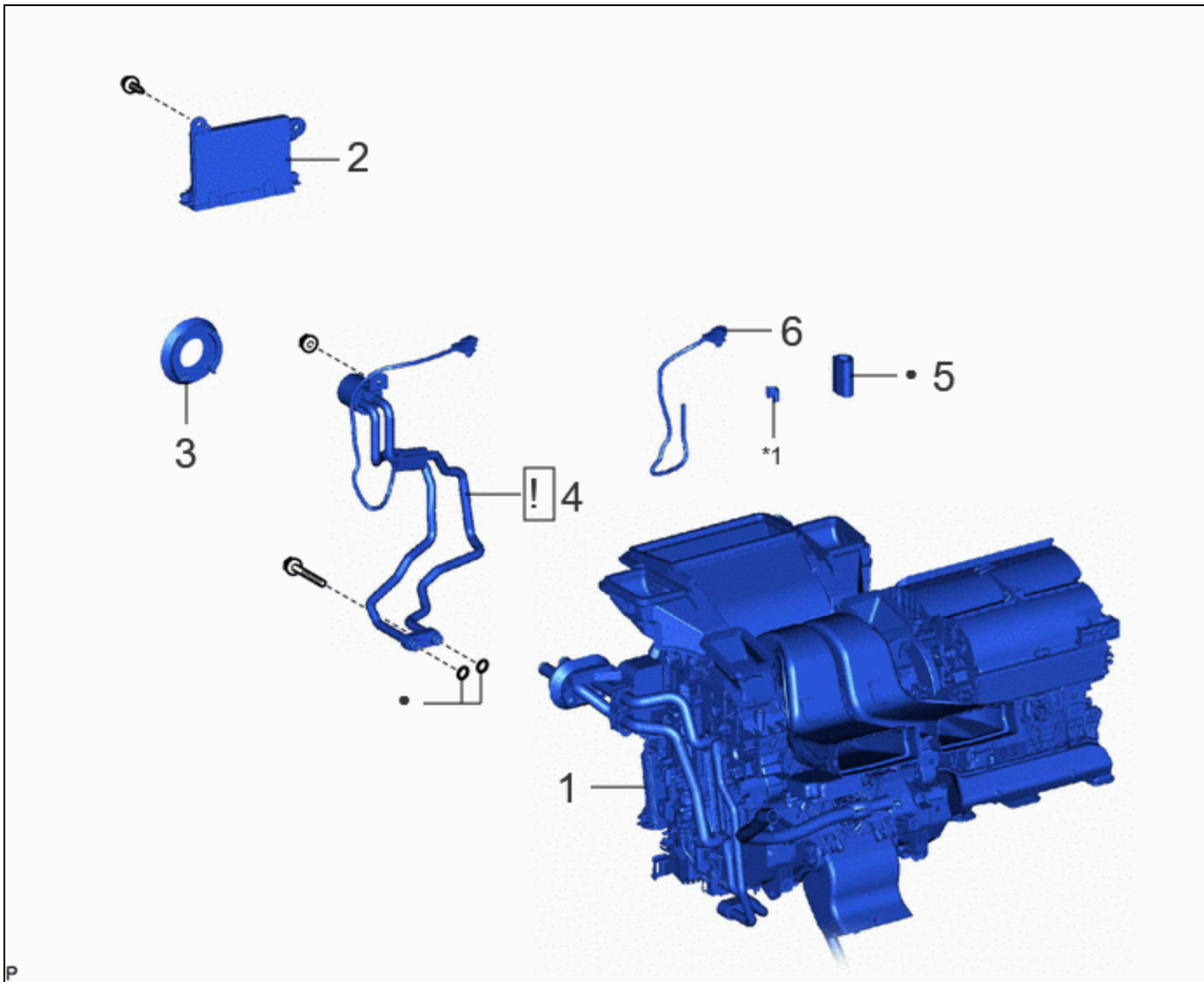
Learning completes when vehicle is driven

EFFECT/INOPERATIVE FUNCTION WHEN NECESSARY PROCEDURES ARE NOT PERFORMED	NECESSARY PROCEDURES	LINK
Front Camera System	Drive the vehicle straight ahead at 35 km/h (22 mph) or more for 5 seconds or more.	INFO

Learning completes when vehicle is operated normally

EFFECT/INOPERATIVE FUNCTION WHEN NECESSARY PROCEDURES ARE NOT PERFORMED	NECESSARY PROCEDURES	LINK
Power Door Lock Control System*1 <ul style="list-style-type: none"> • Back door opener 	Perform door unlock operation with door control switch or electrical key transmitter sub-assembly switch.	INFO
Power Back Door System*2	Reset back door close position	INFO
Air Conditioning System	<p>for HEV Model:</p> <p>After the ignition switch is turned to ON, the servo motor standard position is recognized.</p> <p>for PHEV Model:</p> <p>After the ignition switch is turned to ON, the servo motor and expansion valve standard position is recognized.</p>	-
*1: w/o Power Back Door System		
*2: w/ Power Back Door System		

CAUTION / NOTICE / HINT**COMPONENTS (REMOVAL)**



PROCEDURE		PART NAME CODE			
1	AIR CONDITIONER UNIT ASSEMBLY	-	-	-	-
2	AIR CONDITIONING AMPLIFIER ASSEMBLY	88650N	-	-	-
3	COOLING UNIT PARTS	88899L	-	-	-
4	NO. 1 DISCHARGE TUBE	88715M	INFO	-	-
5	NO. 1 COOLING UNIT PACKING	88578B	-	-	-
6	DISCHARGE TEMPERATURE SENSOR	88620H	-	-	-

*1	CLAMP	-	-
•	Non-reusable part	-	-

PROCEDURE

1. REMOVE AIR CONDITIONER UNIT ASSEMBLY

Click here [INFO](#)

2. REMOVE AIR CONDITIONING AMPLIFIER ASSEMBLY

Click here [INFO](#)

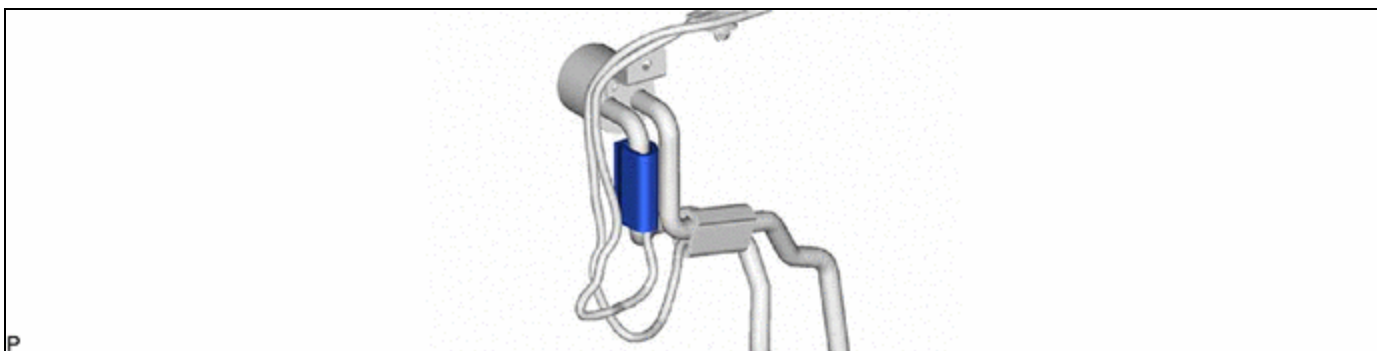
3. REMOVE COOLING UNIT PARTS

Click here [INFO](#)

4. REMOVE NO. 1 DISCHARGE TUBE

	Click here INFO
---	---------------------------------

5. REMOVE NO. 1 COOLING UNIT PACKING



6. REMOVE DISCHARGE TEMPERATURE SENSOR

