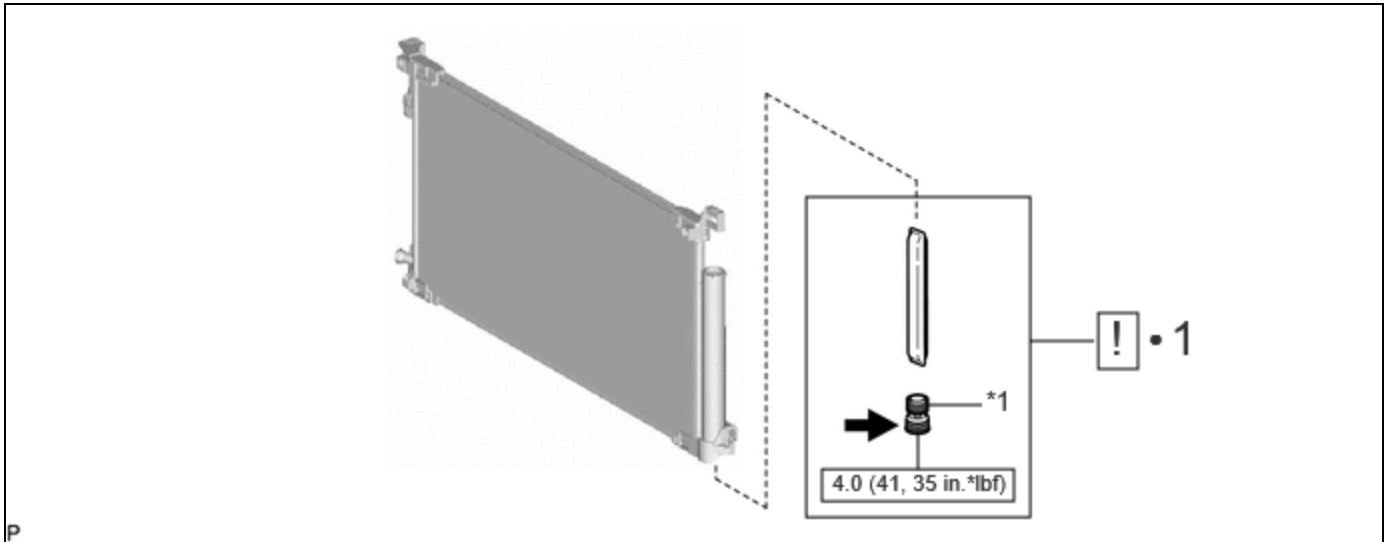


Last Modified: 12-04-2024	6.11:8.1.0	Doc ID: RM1000000029ZVZ
Model Year Start: 2023	Model: Prius	Prod Date Range: [12/2022 -]
Title: HEATING / AIR CONDITIONING: CONDENSER (for HEV Model): REASSEMBLY; 2023 - 2024 MY Prius [12/2022 -]		

REASSEMBLY

CAUTION / NOTICE / HINT

COMPONENTS (REASSEMBLY)

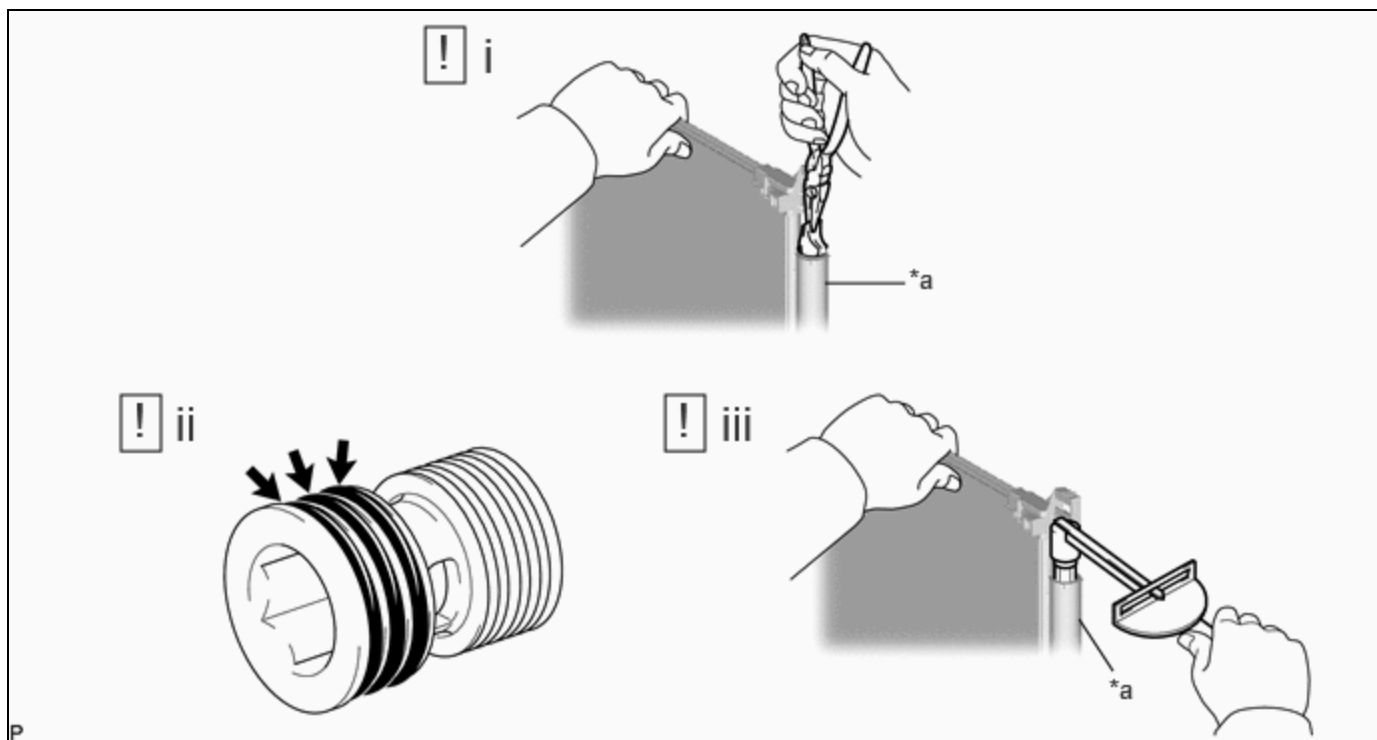


	PROCEDURE	PART NAME CODE		
1	COOLER DRYER	88474		-

*1	CAP	-	-
	N*m (kgf*cm, ft.*lbf): Specified torque	-	• Non-reusable part
	Compressor oil ND-OIL 11 or equivalent	-	-

PROCEDURE

1. INSTALL COOLER DRYER



*a	Modulator	-	-
----	-----------	---	---

(1) Using pliers, install a new cooler dryer to the modulator.

(2) Sufficiently apply compressor oil to the 3 O-rings and the fitting surfaces of a new cap.

Compressor Oil:

ND-OIL 11 or equivalent

NOTICE:

Keep the O-rings and O-ring fitting surfaces free from dirt or foreign matter.

(3) Using a 14 mm straight hexagon, install the cap to the modulator.

Torque:

4.0 N·m {41 kgf·cm, 35 in·lbf}

