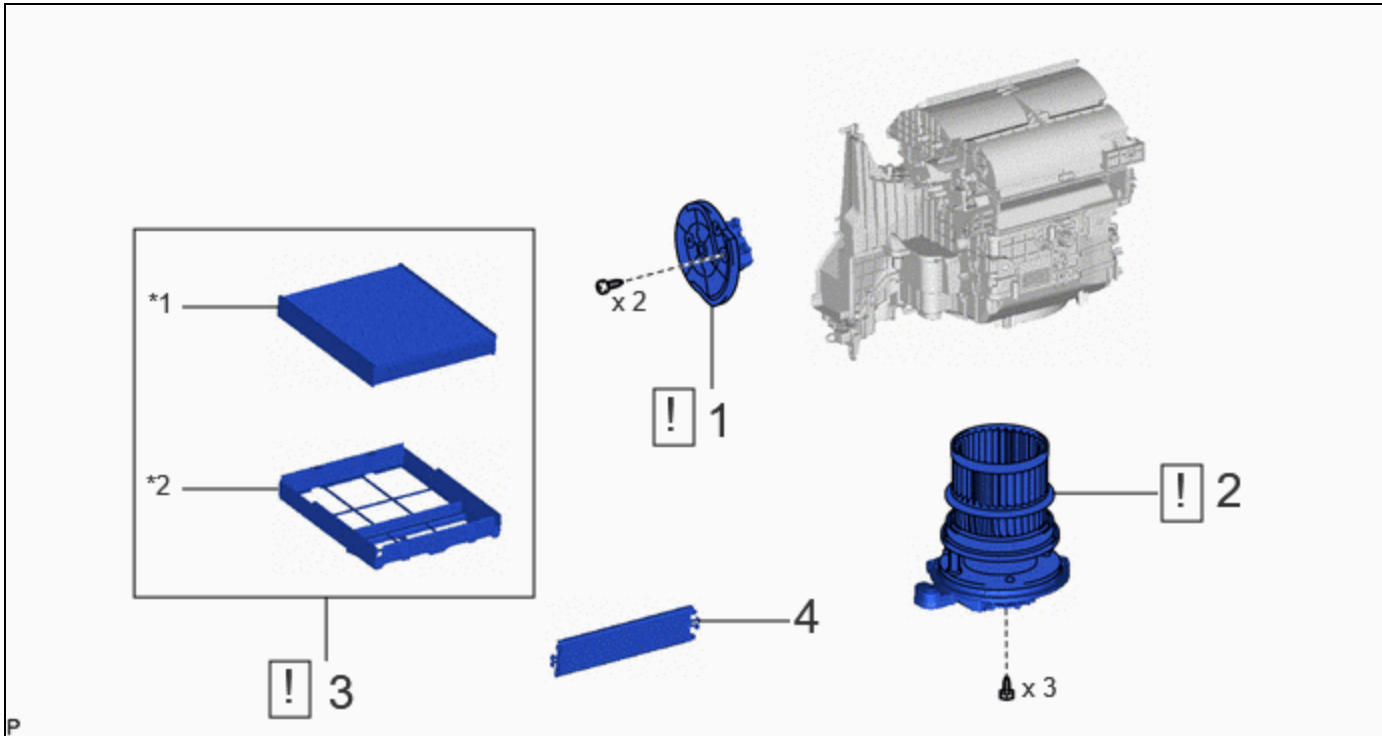


Last Modified: 12-04-2024	6.11:8.1.0	Doc ID: RM1000000029ZVP
Model Year Start: 2023	Model: Prius Prime	Prod Date Range: [12/2022 -]
Title: HEATING / AIR CONDITIONING: BLOWER UNIT: REASSEMBLY; 2023 - 2024 MY Prius Prius Prime [12/2022 -]		

REASSEMBLY

CAUTION / NOTICE / HINT

COMPONENTS (REASSEMBLY)

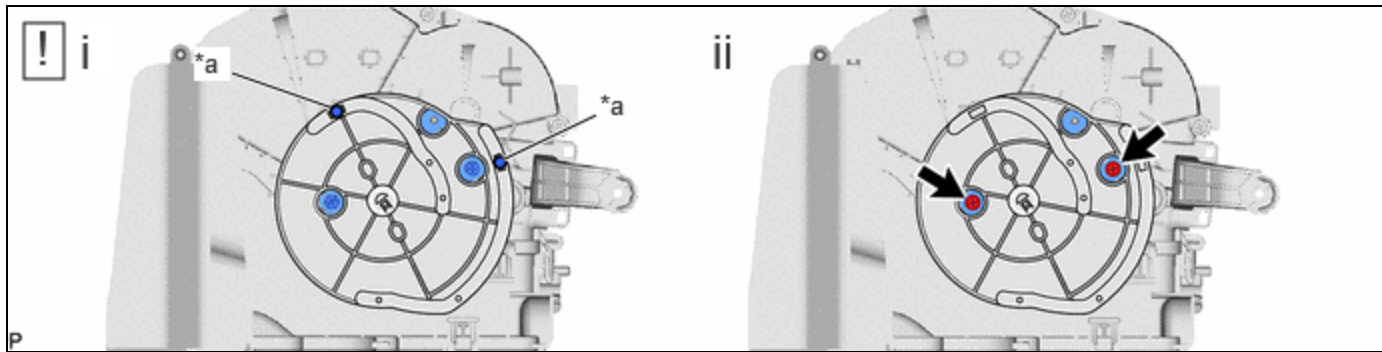


PROCEDURE		PART NAME CODE			
1	NO. 1 BLOWER DAMPER SERVO SUB-ASSEMBLY	87130K	INFO	-	-
2	BLOWER MOTOR WITH FAN SUB-ASSEMBLY	87103B	INFO	-	-
3	AIR FILTER SUB-ASSEMBLY	-	INFO	-	-
4	AIR FILTER COVER PLATE	88899M	-	-	-

*1	CLEAN AIR FILTER	*2	AIR FILTER CASE
----	------------------	----	-----------------

PROCEDURE

1. INSTALL NO. 1 BLOWER DAMPER SERVO SUB-ASSEMBLY




*a	Link	-	-
----	------	---	---

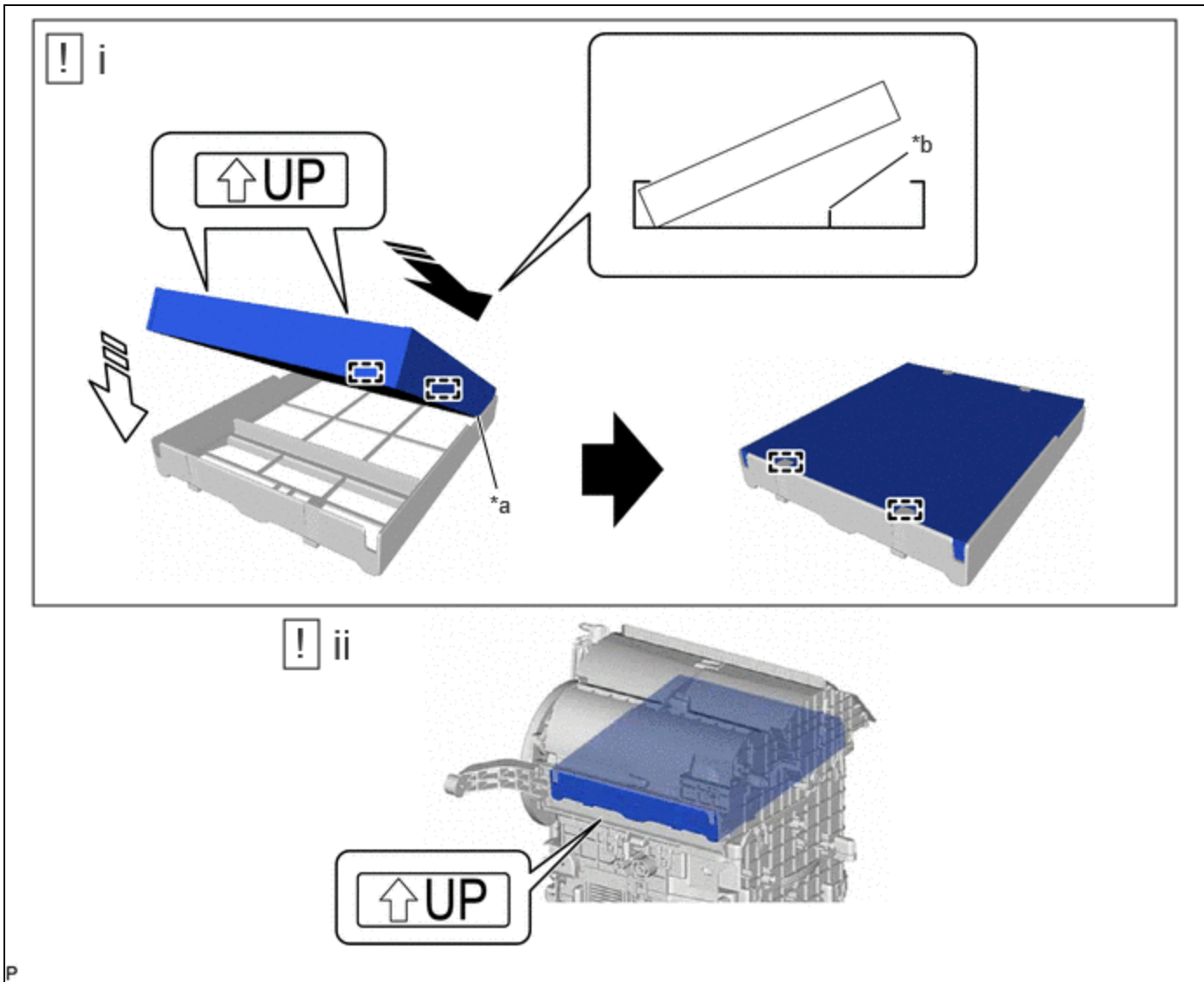
(1) Connect the 2 links of the blower assembly to the 2 grooves on the plate of the No. 1 blower damper servo sub-assembly as shown in the illustration.

(2) Install the No. 1 blower damper servo sub-assembly with the 2 screws.

2. INSTALL BLOWER MOTOR WITH FAN SUB-ASSEMBLY

	<p>NOTICE:</p> <p>Do not reuse the blower motor with fan sub-assembly if it has been dropped or subjected to a severe impact.</p>
-----------------------------------------------------------------------------------	------------------------------------------------------------------------------------------------------------------------------------------

3. INSTALL AIR FILTER SUB-ASSEMBLY



*a	Cutout	*b	Rib
	Install in this Direction (1)		Install in this Direction (2)

(1) Engage the 2 guides on the cutout side of the air filter case and then engage the 2 guides as shown in the illustration to install the clean air filter.

NOTICE:

- Make sure that the "UP" marks are facing the correct direction before installing the clean air filter.
- Make sure that there is no clearance between the clean air filter and air filter case and that the clean air filter is not deformed.

(2) Install the air filter sub-assembly as shown in the illustration.

NOTICE:

Make sure that the "UP" mark is facing the correct direction before installing the air filter sub-assembly.

4. INSTALL AIR FILTER COVER PLATE

