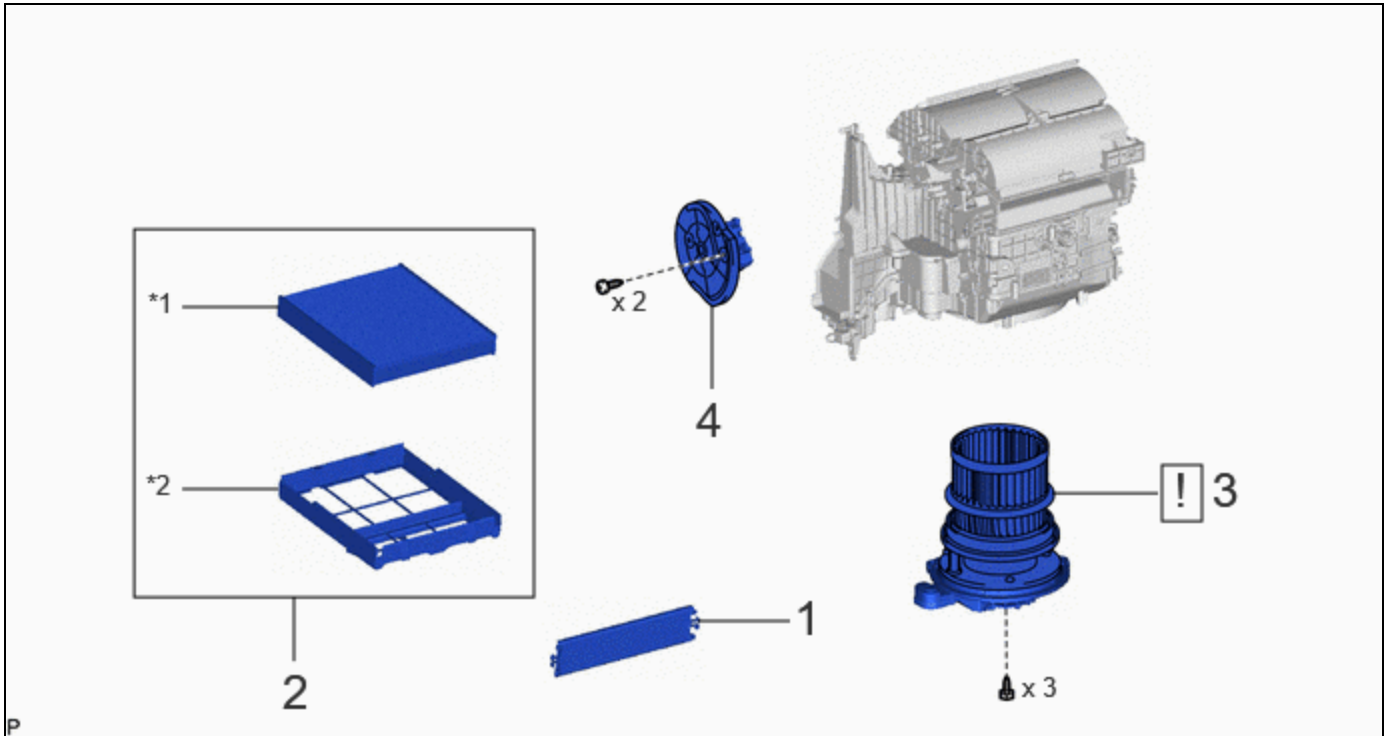


Last Modified: 12-04-2024	6.11:8.1.0	Doc ID: RM1000000029ZVO
Model Year Start: 2023	Model: Prius Prime	Prod Date Range: [12/2022 -]
Title: HEATING / AIR CONDITIONING: BLOWER UNIT: DISASSEMBLY; 2023 - 2024 MY Prius Prius Prime [12/2022 -]		

DISASSEMBLY

CAUTION / NOTICE / HINT

COMPONENTS (DISASSEMBLY)

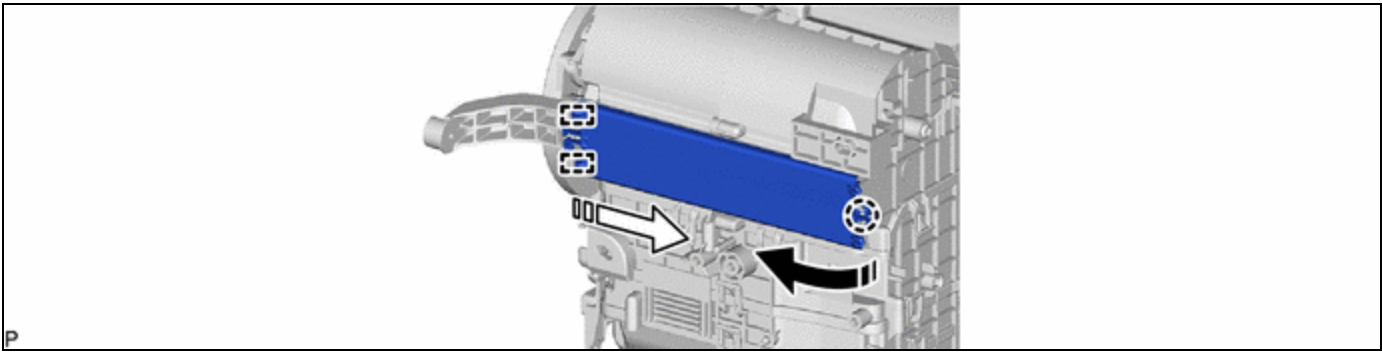


	PROCEDURE	PART NAME CODE	!	📄	⚙️
1	AIR FILTER COVER PLATE	88899M	-	-	-
2	AIR FILTER SUB-ASSEMBLY	-	-	-	-
3	BLOWER MOTOR WITH FAN SUB-ASSEMBLY	87103B	INFO	-	-
4	NO. 1 BLOWER DAMPER SERVO SUB-ASSEMBLY	87130K	-	-	-

*1	CLEAN AIR FILTER	*2	AIR FILTER CASE
----	------------------	----	-----------------

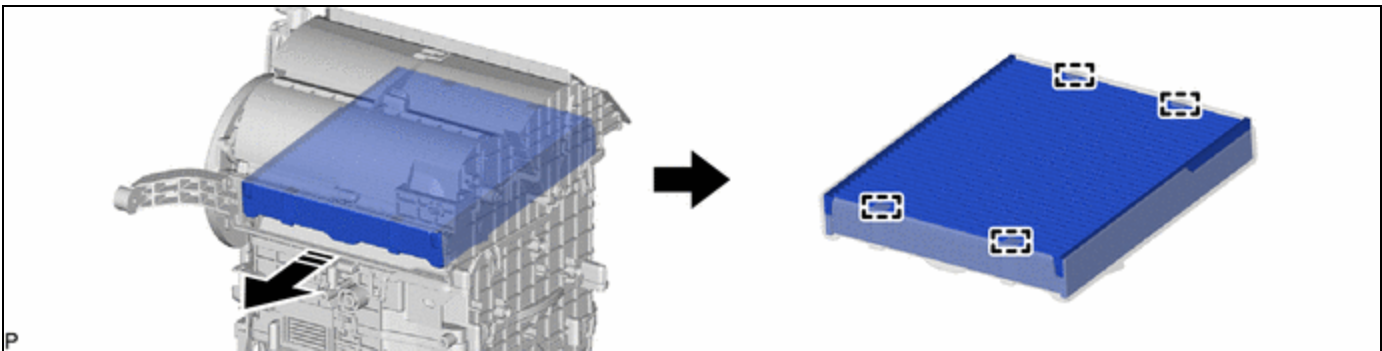
PROCEDURE

1. REMOVE AIR FILTER COVER PLATE



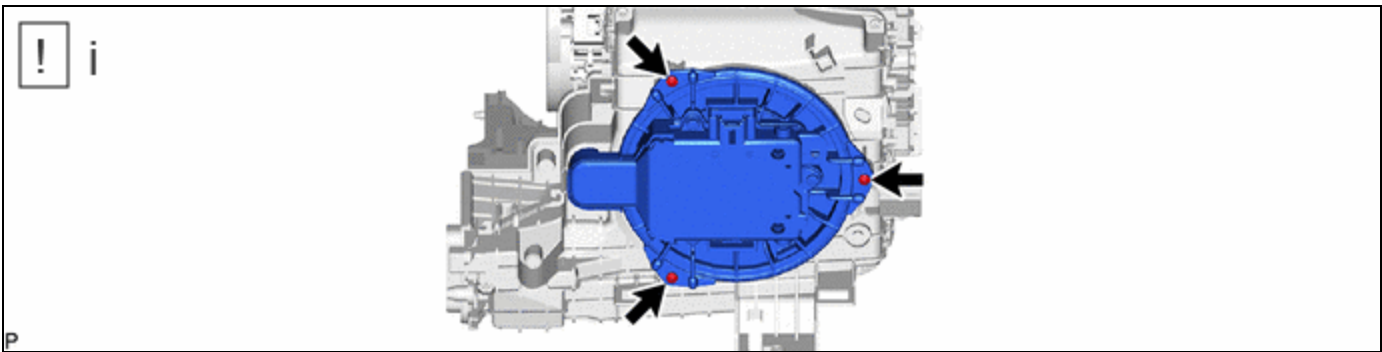
	Remove in this Direction (1)		Remove in this Direction (2)
--	------------------------------	--	------------------------------

2. REMOVE AIR FILTER SUB-ASSEMBLY



	Remove in this Direction	-	-
--	--------------------------	---	---

3. REMOVE BLOWER MOTOR WITH FAN SUB-ASSEMBLY



(1) Remove the 3 screws and blower motor with fan sub-assembly.

NOTICE:

Do not reuse the blower motor with fan sub-assembly if it has been dropped or subjected to a severe impact.

4. REMOVE NO. 1 BLOWER DAMPER SERVO SUB-ASSEMBLY

