

<b>Last Modified:</b> 12-04-2024	6.11:8.1.0	<b>Doc ID:</b> RM10000002AXF3
<b>Model Year Start:</b> 2023	<b>Model:</b> Prius Prime	<b>Prod Date Range:</b> [03/2023 - ]
<b>Title:</b> HEATING / AIR CONDITIONING: AIR CONDITIONING UNIT: REMOVAL; 2023 - 2024 MY Prius Prius Prime [03/2023 - ]		

## REMOVAL

### CAUTION / NOTICE / HINT

The necessary procedures (adjustment, calibration, initialization or registration) that must be performed after parts are removed and installed, or replaced during air conditioner unit removal/installation are shown below.

#### Necessary Procedures After Parts Removed/Installed/Replaced

REPLACED PART OR PERFORMED PROCEDURE	NECESSARY PROCEDURES	EFFECT/INOPERATIVE FUNCTION WHEN NECESSARY PROCEDURES ARE NOT PERFORMED	LINK
<b>w/ Occupant Classification System:</b>  Front passenger seat*	Zero point calibration (Occupant classification system)	<ul style="list-style-type: none"> <li>• Occupant Classification System</li> <li>• Passenger airbag ON/OFF indicator</li> <li>• Airbag System (Front passenger side)</li> <li>• Seat Belt Warning System (Front passenger)</li> </ul>	<a href="#">INFO</a>
*: Even when not replacing the part, it is necessary to perform the specified necessary procedures after installation.			

### CAUTION / NOTICE / HINT

**CAUTION:**

Be sure to read Precaution thoroughly before servicing.



[Click here](#) [INFO](#)

**NOTICE:**

After the ignition switch is turned off, there may be a waiting time before disconnecting the negative (-) auxiliary battery terminal.

[Click here](#) [INFO](#)

**HINT:**

When the cable is disconnected / reconnected to the auxiliary battery terminal, systems temporarily stop operating. However, each system has a function that completes learning the first time the system is used.

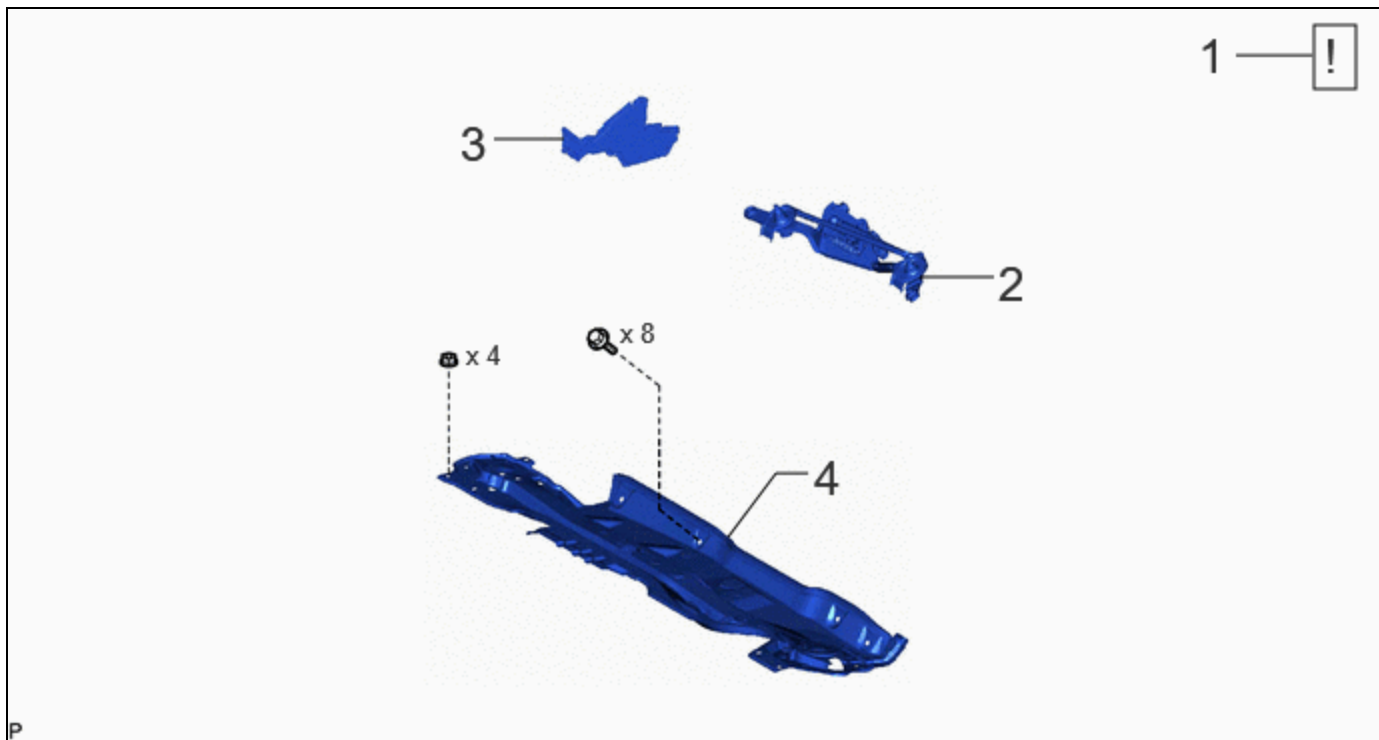
**Learning completes when vehicle is driven**




EFFECT/INOPERATIVE FUNCTION WHEN NECESSARY PROCEDURES ARE NOT PERFORMED	NECESSARY PROCEDURES	LINK
Front Camera System	Drive the vehicle straight ahead at 35 km/h (22 mph) or more for 5 seconds or more.	<a href="#">INFO</a>

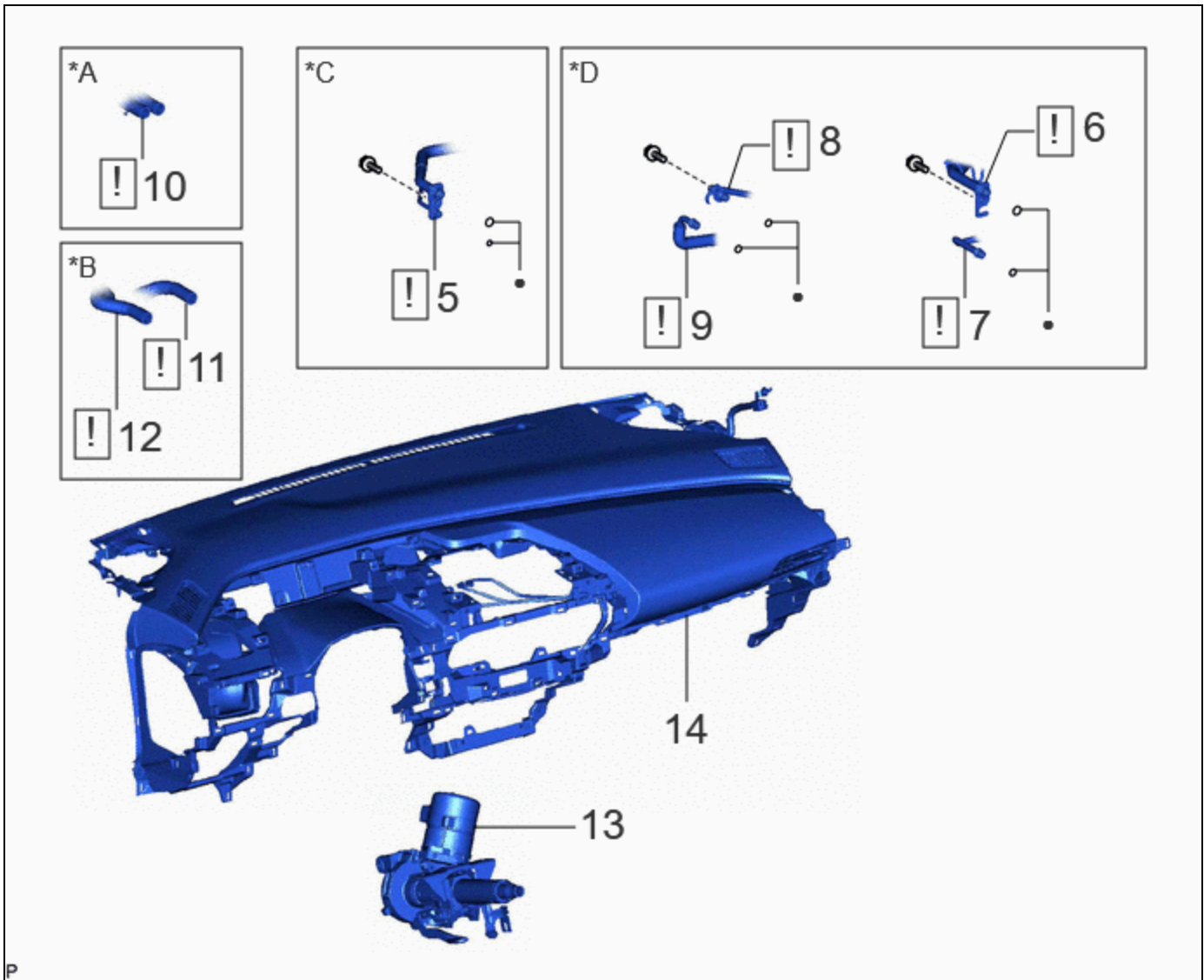
**Learning completes when vehicle is operated normally**




EFFECT/INOPERATIVE FUNCTION WHEN NECESSARY PROCEDURES ARE NOT PERFORMED	NECESSARY PROCEDURES	LINK
Power Door Lock Control System*1 <ul style="list-style-type: none"> <li>• <a href="#">Back door opener</a></li> </ul>	Perform door unlock operation with door control switch or electrical key transmitter sub-assembly switch.	<a href="#">INFO</a>
Power Back Door System*2	Reset back door close position	<a href="#">INFO</a>
Air Conditioning System	<p><b>for HEV Model:</b></p> <p>After the ignition switch is turned to ON, the servo motor standard position is recognized.</p> <p><b>for PHEV Model:</b></p> <p>After the ignition switch is turned to ON, the servo motor and expansion valve standard position is recognized.</p>	-
*1: w/o Power Back Door System		
*2: w/ Power Back Door System		

**CAUTION / NOTICE / HINT****COMPONENTS (REMOVAL)**

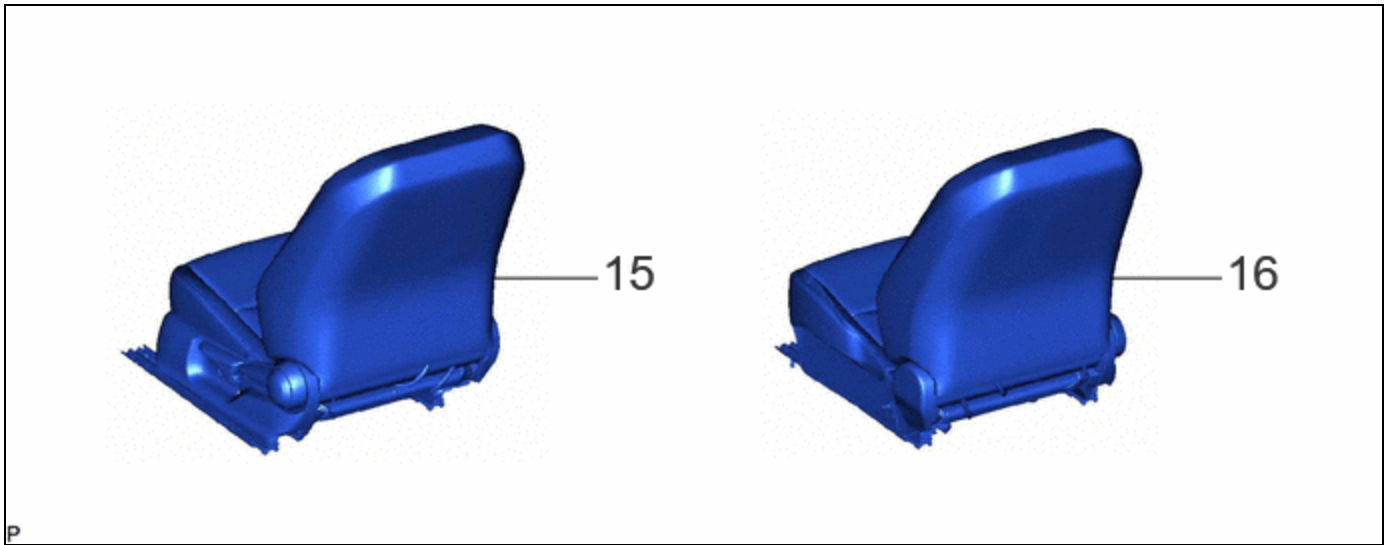


PROCEDURE		PART NAME CODE			
1	RECOVER REFRIGERANT FROM REFRIGERATION SYSTEM	-	<a href="#">INFO</a>	-	-
2	WINDSHIELD WIPER MOTOR AND LINK ASSEMBLY	-	-	-	-
3	WATER GUARD PLATE	55734D	-	-	-
4	OUTER COWL TOP PANEL SUB-ASSEMBLY	55701J	-	-	-

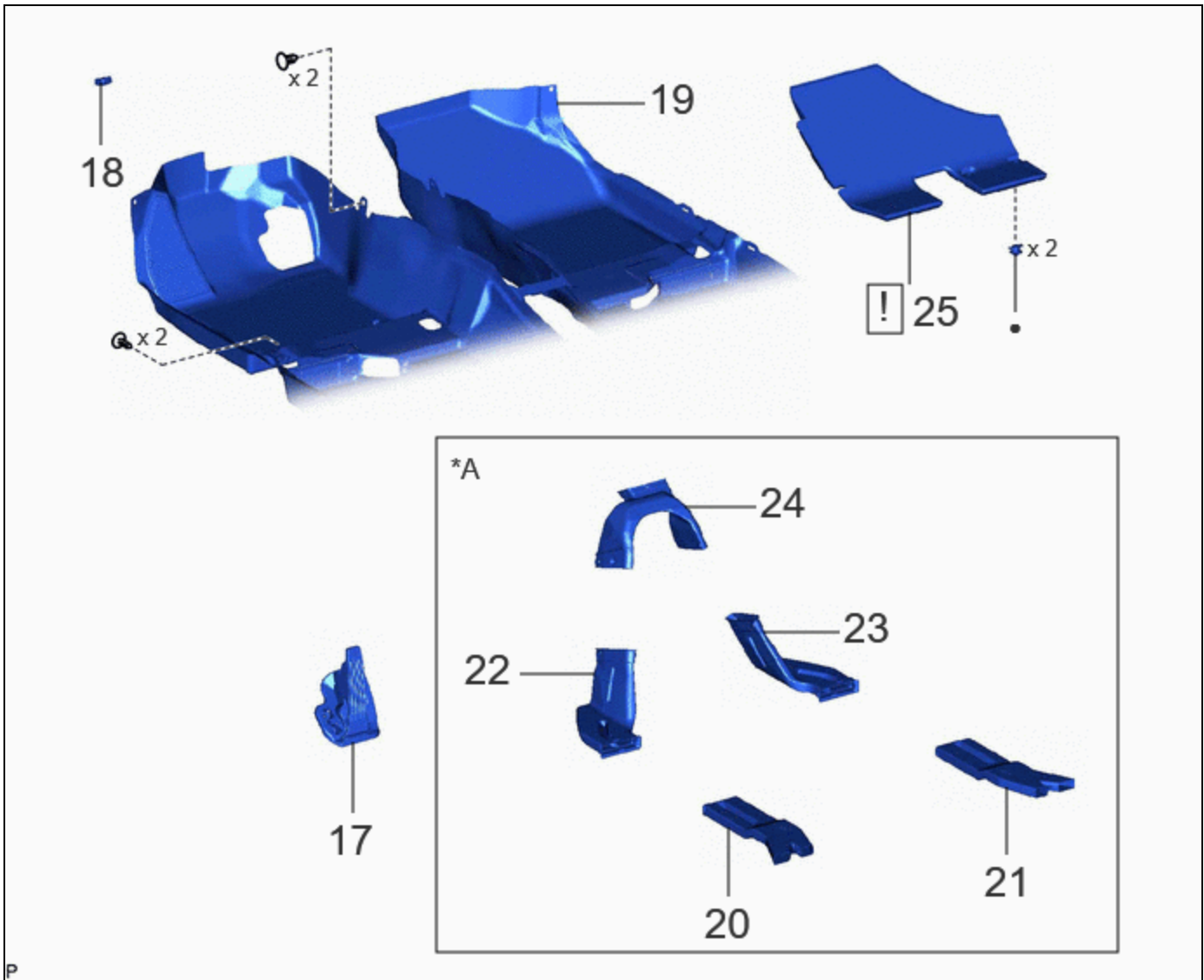


PROCEDURE		PART NAME CODE			
5	SUCTION PIPE SUB-ASSEMBLY	88707	<a href="#">INFO</a>	-	-
6	NO. 1 SUCTION TUBE	88717U	<a href="#">INFO</a>	-	-
7	NO. 7 DISCHARGE TUBE	88G15H	<a href="#">INFO</a>	-	-
8	DISCHARGE TUBE SUB-ASSEMBLY	88705A	<a href="#">INFO</a>	-	-
9	NO. 2 DISCHARGE HOSE SUB-ASSEMBLY	88703B	<a href="#">INFO</a>	-	-
10	WATER HOSE SUB-ASSEMBLY	87209	<a href="#">INFO</a>	-	-
11	OUTLET HEATER WATER HOSE	87246	<a href="#">INFO</a>	-	-
12	INLET HEATER WATER HOSE	87245	<a href="#">INFO</a>	-	-
13	STEERING COLUMN ASSEMBLY	-	-	-	-
14	INSTRUMENT PANEL SAFETY PAD SUB-ASSEMBLY	-	-	-	-

*A	for M20A-FXS	*B	for 2ZR-FXE
*C	for HEV Model	*D	for PHEV Model
•	Non-reusable part	-	-



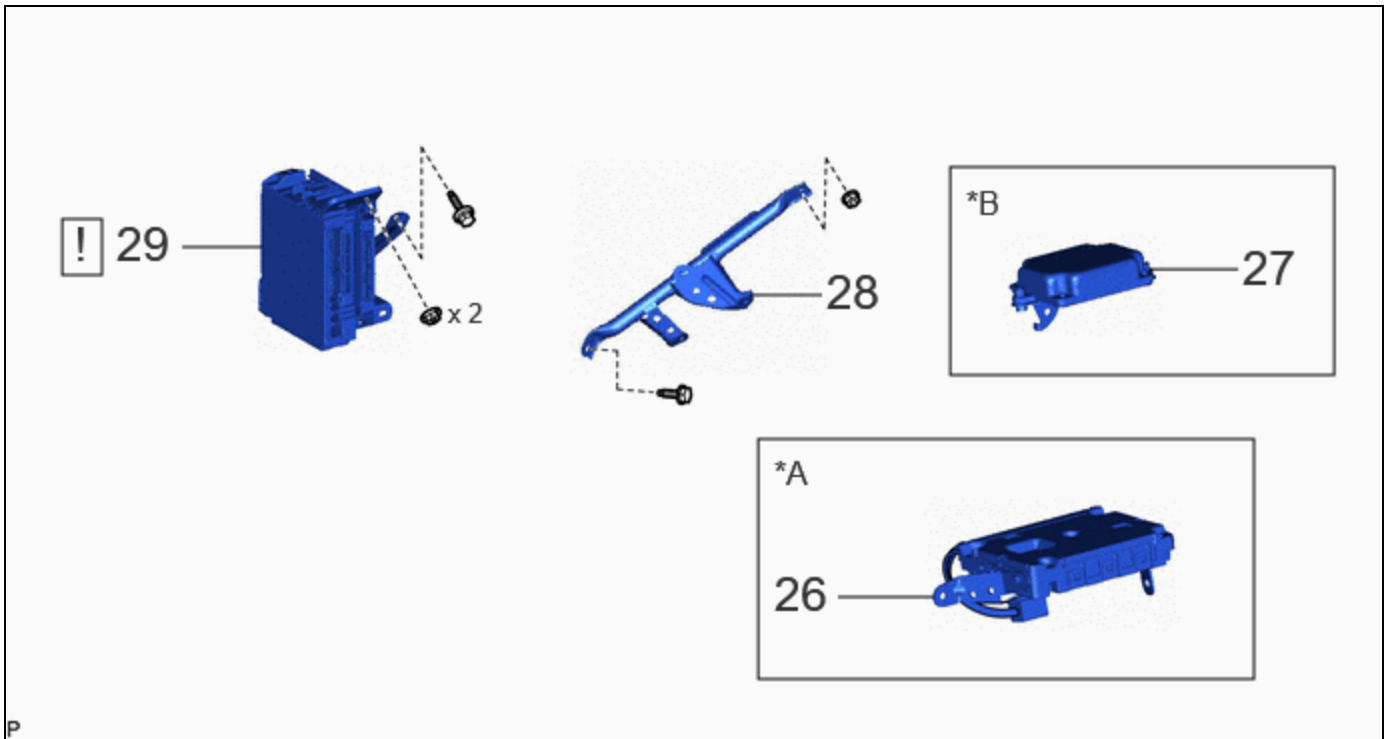
PROCEDURE		PART NAME CODE			
15	FRONT SEAT ASSEMBLY LH	-	-	-	-
16	FRONT SEAT ASSEMBLY RH	-	-	-	-



PROCEDURE		PART NAME CODE			
17	ACCELERATOR PEDAL (WITH SENSOR) ROD ASSEMBLY	78110K	-	-	-
18	COOLER (ROOM TEMP. SENSOR) THERMISTOR	88625Q	-	-	-
19	FRONT FLOOR CARPET ASSEMBLY	58510D	-	-	-
20	REAR NO. 5 AIR DUCT	87217C	-	-	-
21	REAR NO. 4 AIR DUCT	87216B	-	-	-
22	REAR NO. 2 AIR DUCT	87213	-	-	-
23	REAR NO. 1 AIR DUCT	87212	-	-	-
24	REAR NO. 3 AIR DUCT	87215F	-	-	-
25	NO. 3 DASH PANEL INSULATOR PAD	55215D	<b>INFO</b>	-	-

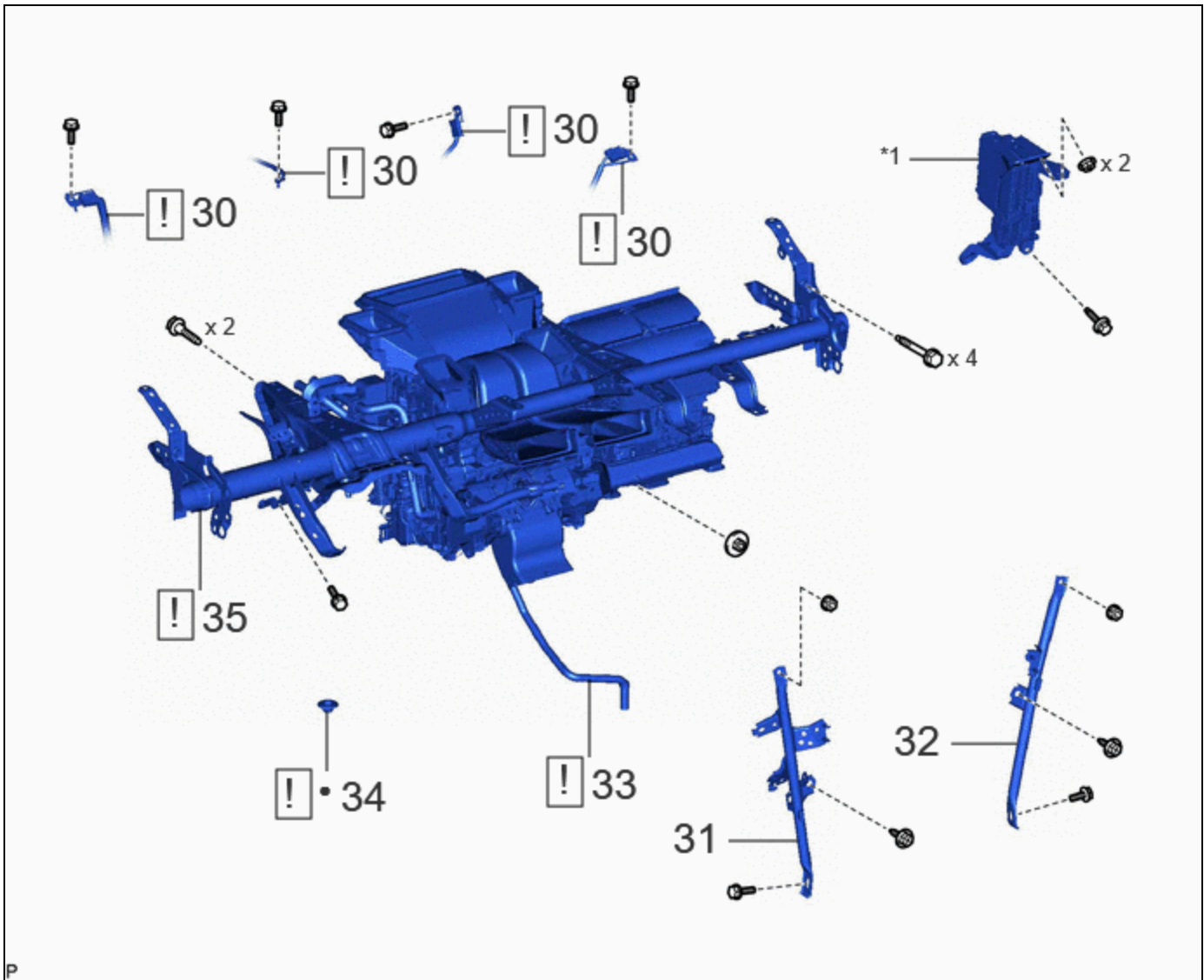
*A	w/ Rear Air Duct	-	-
----	------------------	---	---




•	Non-reusable part	-	-
---	-------------------	---	---



PROCEDURE		PART NAME CODE			
26	DCM (TELEMATICS TRANSCEIVER) WITH BRACKET	-	-	-	-
27	DRIVER MONITOR ECU ASSEMBLY	86470	-	-	-
28	NO. 3 INSTRUMENT PANEL TO COWL BRACE SUB-ASSEMBLY	55308B	-	-	-
29	JUNCTION BLOCK BRACKET WITH POWER DISTRIBUTION BOX ASSEMBLY	-	<span style="background-color: blue; color: white; padding: 2px;">INFO</span>	-	-

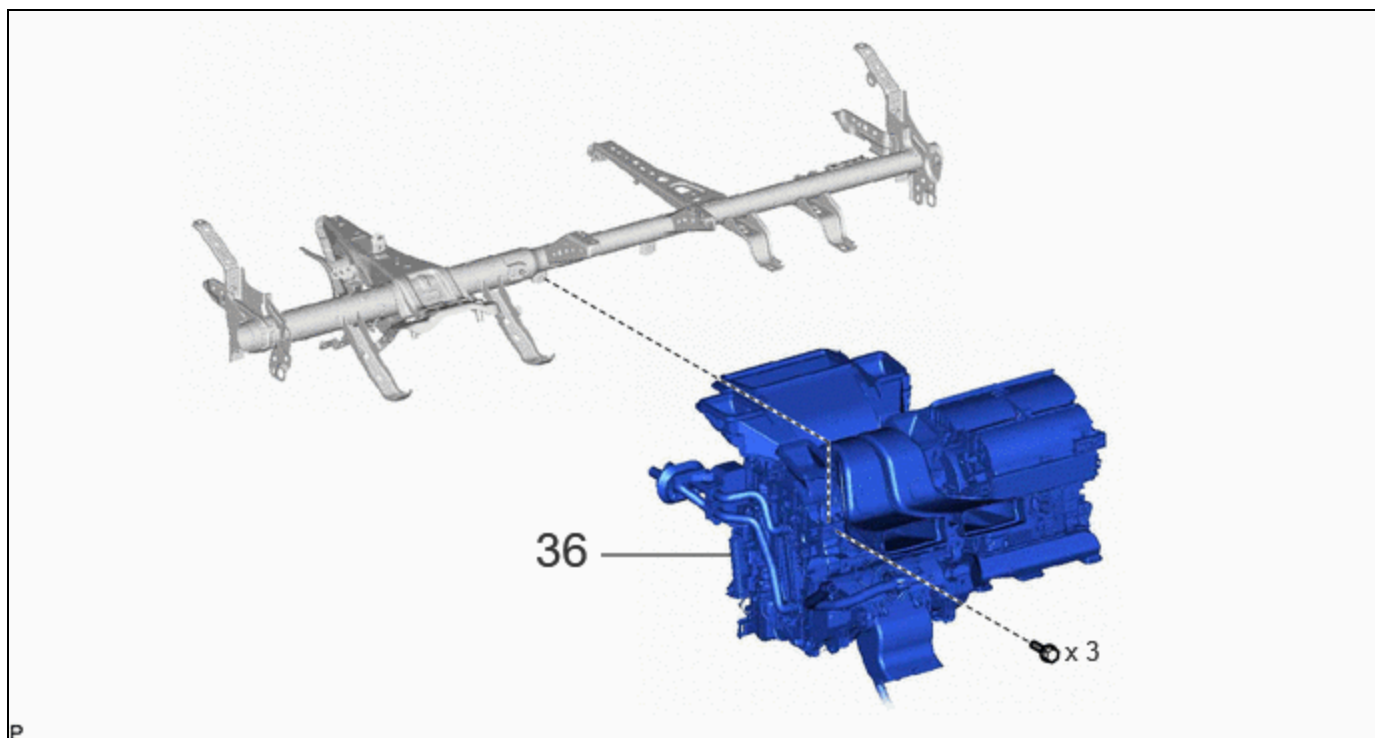
*A	w/ Telematics Transceiver	*B	w/ Driver Monitor Camera
----	---------------------------	----	--------------------------






PROCEDURE		PART NAME CODE			
30	INSTRUMENT PANEL WIRE	82141	INFO	-	-
31	NO. 1 INSTRUMENT PANEL BRACE SUB-ASSEMBLY	55306A	-	-	-
32	NO. 2 INSTRUMENT PANEL BRACE SUB-ASSEMBLY	55307C	-	-	-
33	DRAIN COOLER HOSE	88539J	INFO	-	-
34	COOLER UNIT DRAIN HOSE GROMMET	88539G	INFO	-	-
35	INSTRUMENT PANEL REINFORCEMENT ASSEMBLY WITH AIR CONDITIONER UNIT ASSEMBLY	-	INFO	-	-

*1	CONNECTOR HOLDER	-	-
•	Non-reusable part	-	-





PROCEDURE		PART NAME CODE				
36	AIR CONDITIONER UNIT ASSEMBLY	-	-	-	-	-

## PROCEDURE

### 1. RECOVER REFRIGERANT FROM REFRIGERATION SYSTEM

(a) for HFC-134a (R134a):

Click here [INFO](#)

(b) for HFO-1234yf (R1234yf):

(1) for HEV Model:

Click here [INFO](#)

(2) for PHEV Model:

Click here [INFO](#)

### 2. REMOVE WINDSHIELD WIPER MOTOR AND LINK ASSEMBLY

Click here [INFO](#)

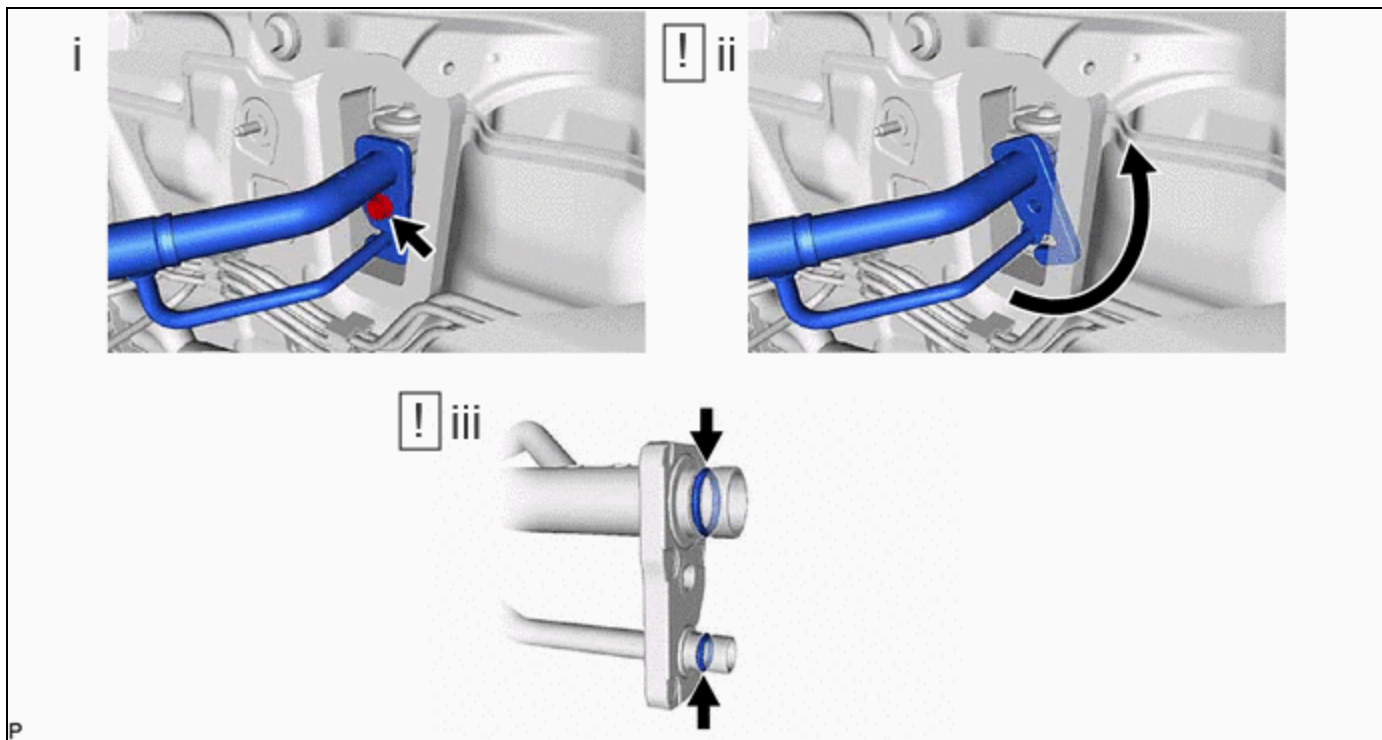
### 3. REMOVE WATER GUARD PLATE

Click here [INFO](#)

### 4. REMOVE OUTER COWL TOP PANEL SUB-ASSEMBLY

Click here [INFO](#)

### 5. DISCONNECT SUCTION PIPE SUB-ASSEMBLY (for HEV Model)

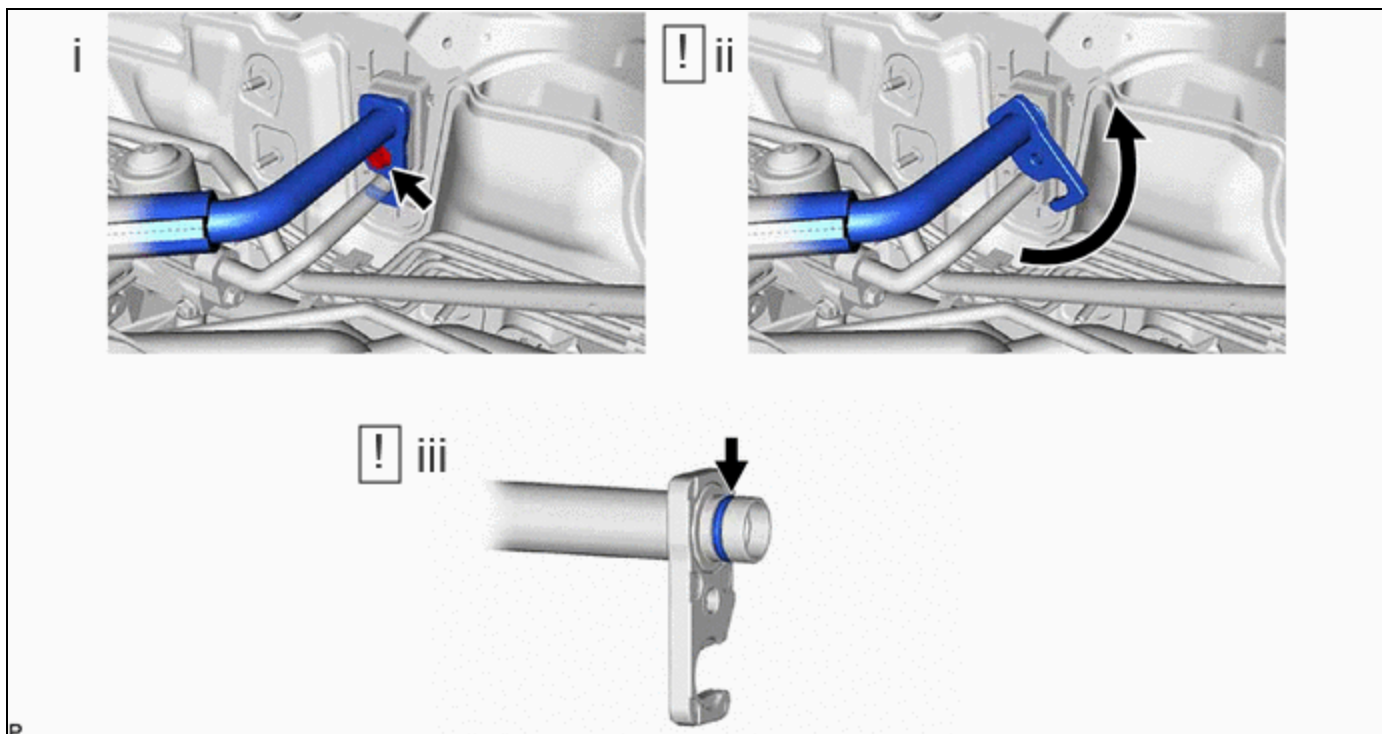


- (1) Remove the bolt.
- (2) Rotate the hook connector as shown in the illustration and disconnect the suction pipe sub-assembly.
- (3) Remove the 2 O-rings from the suction pipe sub-assembly.

**NOTICE:**

Seal the openings of the disconnected parts using vinyl tape to prevent entry of moisture and foreign matter.

**6. DISCONNECT NO. 1 SUCTION TUBE (for PHEV Model)**



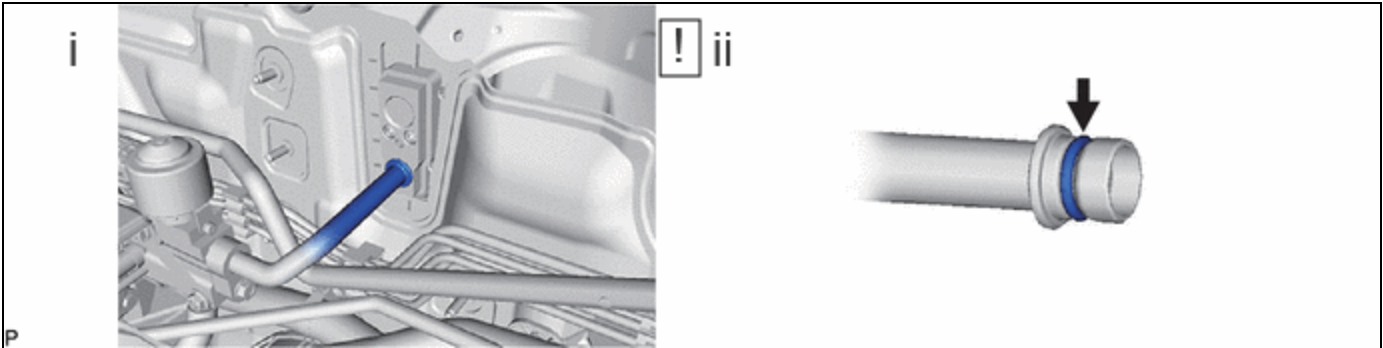
- (1) Remove the bolt.
- (2) Rotate the hook connector as shown in the illustration and disconnect the No. 1 suction tube.

- (3) Remove the O-ring from the No. 1 suction tube.

**NOTICE:**

Seal the openings of the disconnected parts using vinyl tape to prevent entry of moisture and foreign matter.

**7. DISCONNECT NO. 7 DISCHARGE TUBE (for PHEV Model)**

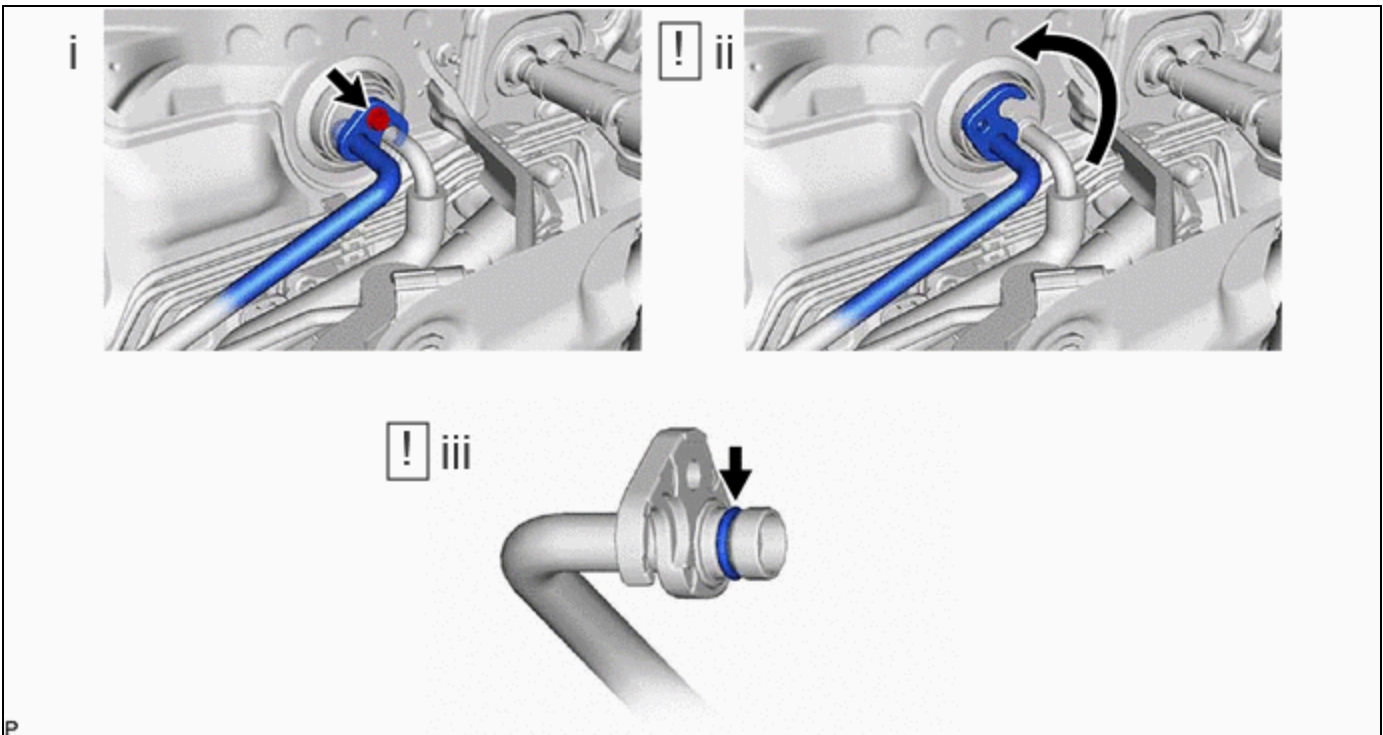


- (1) Disconnect the No. 7 discharge tube.
- (2) Remove the O-ring from the No. 7 discharge tube.

**NOTICE:**

Seal the openings of the disconnected parts using vinyl tape to prevent entry of moisture and foreign matter.

**8. DISCONNECT DISCHARGE TUBE SUB-ASSEMBLY (for PHEV Model)**

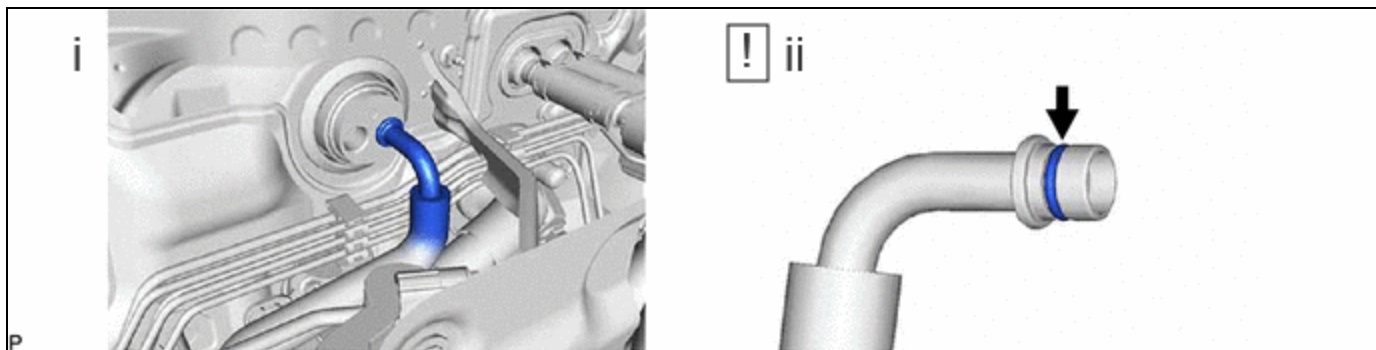


- (1) Remove the bolt.
- (2) Rotate the hook connector as shown in the illustration and disconnect the discharge tube sub-assembly.
- (3) Remove the O-ring from the discharge tube sub-assembly.

**NOTICE:**

Seal the openings of the disconnected parts using vinyl tape to prevent entry of moisture and foreign matter.

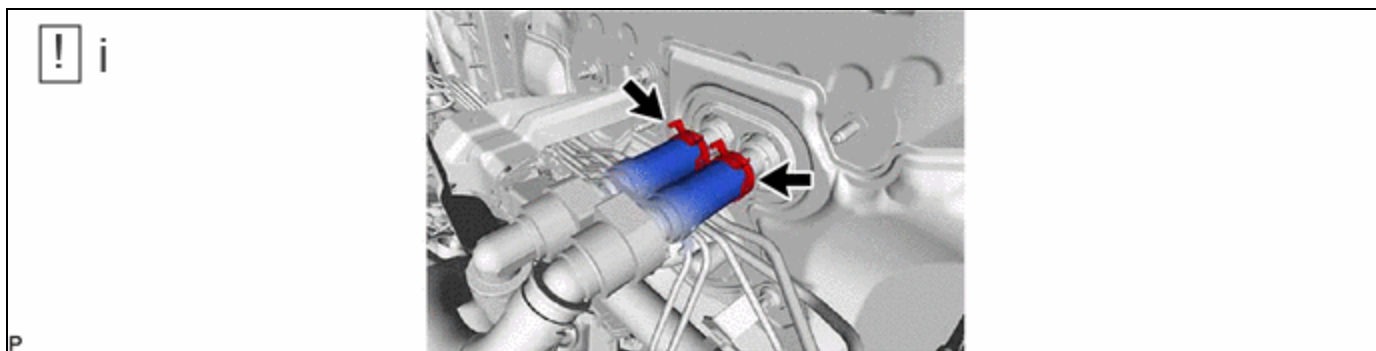
**9. DISCONNECT NO. 2 DISCHARGE HOSE SUB-ASSEMBLY (for PHEV Model)**



- (1) Disconnect the No. 2 discharge hose sub-assembly.
- (2) Remove the O-ring from the No. 2 discharge hose sub-assembly.

**NOTICE:**

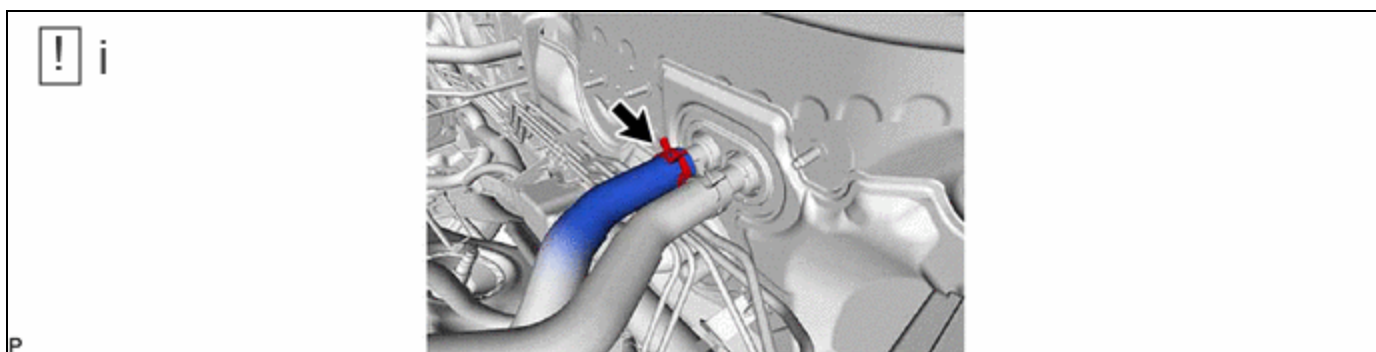
Seal the openings of the disconnected parts using vinyl tape to prevent entry of moisture and foreign matter.

**10. DISCONNECT WATER HOSE SUB-ASSEMBLY (for M20A-FXS)**

- (1) Using pliers, grip the claws of the hose clips and slide the hose clips and disconnect the water hose sub-assembly.

**NOTICE:**

- Do not apply excessive force to the water hose sub-assembly.
- Prepare a drain pan or cloth in case the coolant leaks.

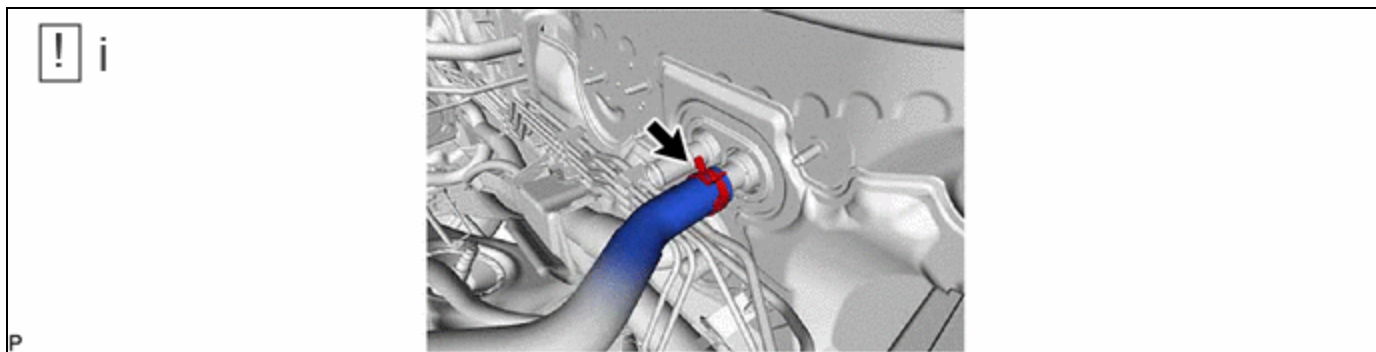
**11. DISCONNECT OUTLET HEATER WATER HOSE (for 2ZR-FXE)**

- (1) Using pliers, grip the claws of the hose clip and slide the hose clip and disconnect the outlet heater water hose.

**NOTICE:**

- Do not apply excessive force to the outlet heater water hose.
- Prepare a drain pan or cloth in case the coolant leaks.

**12. DISCONNECT INLET HEATER WATER HOSE (for 2ZR-FXE)**



(1) Using pliers, grip the claws of the hose clip and slide the hose clip and disconnect the inlet heater water hose.

**NOTICE:**

- Do not apply excessive force to the inlet heater water hose.
- Prepare a drain pan or cloth in case the coolant leaks.

**13. REMOVE STEERING COLUMN ASSEMBLY**

Click here [INFO](#)

**14. REMOVE INSTRUMENT PANEL SAFETY PAD SUB-ASSEMBLY**

Click here [INFO](#)

**15. REMOVE FRONT SEAT ASSEMBLY LH**

(a) for Manual Seat:

Click here [INFO](#)

(b) for Power Seat:

Click here [INFO](#)

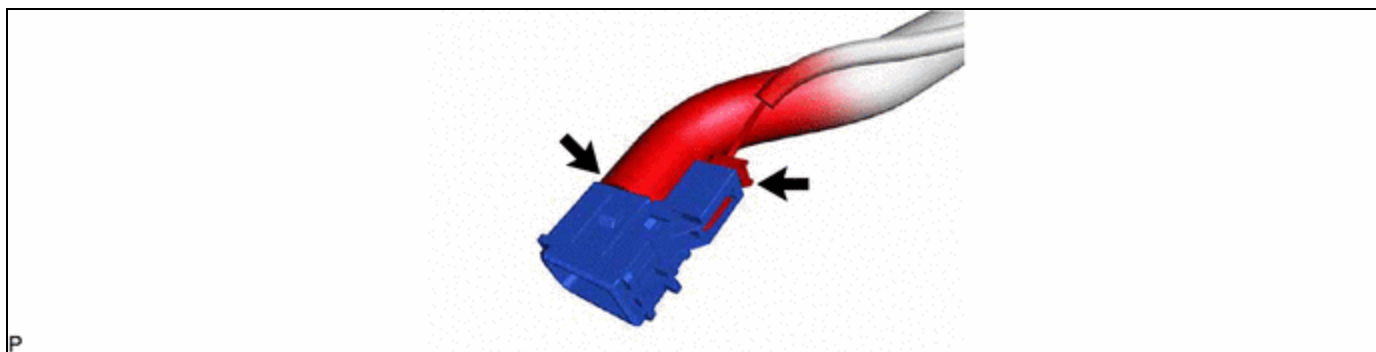
**16. REMOVE FRONT SEAT ASSEMBLY RH**

(a) Use the same procedure as for the LH side.

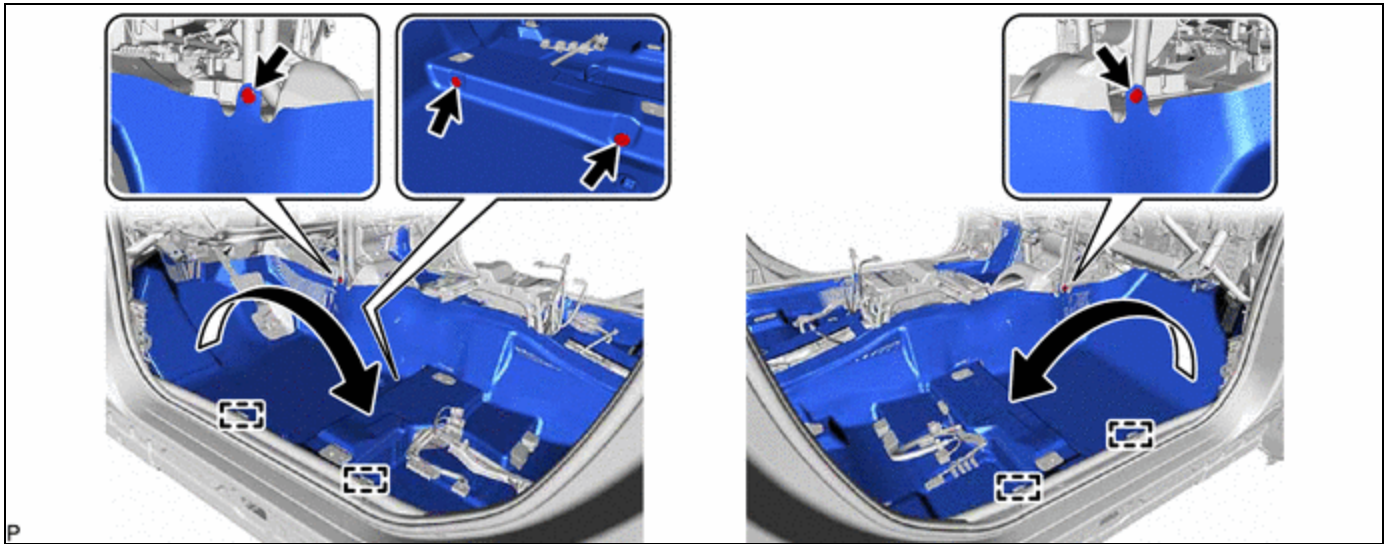
**17. REMOVE ACCELERATOR PEDAL (WITH SENSOR) ROD ASSEMBLY**

Click here [INFO](#)

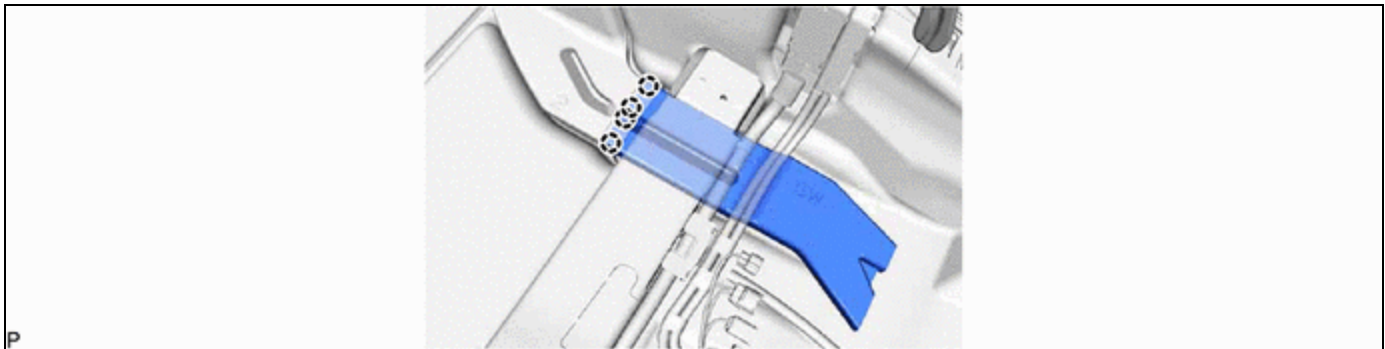
**18. REMOVE COOLER (ROOM TEMP. SENSOR) THERMISTOR**



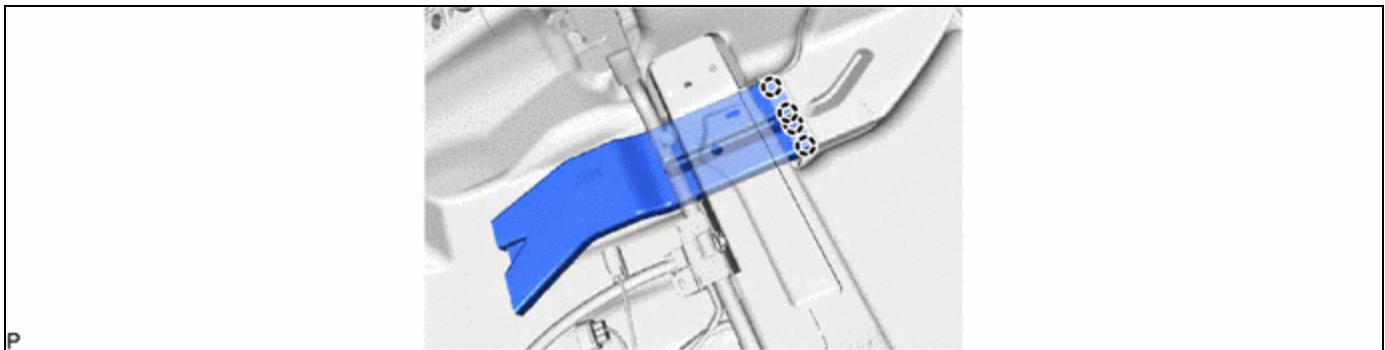
**19. DISCONNECT FRONT FLOOR CARPET ASSEMBLY**



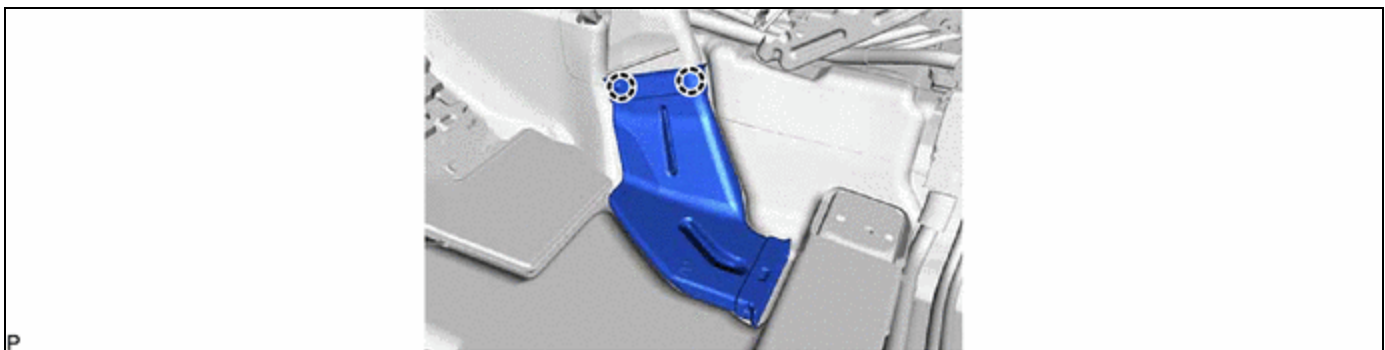
**20. REMOVE REAR NO. 5 AIR DUCT (w/ Rear Air Duct)**

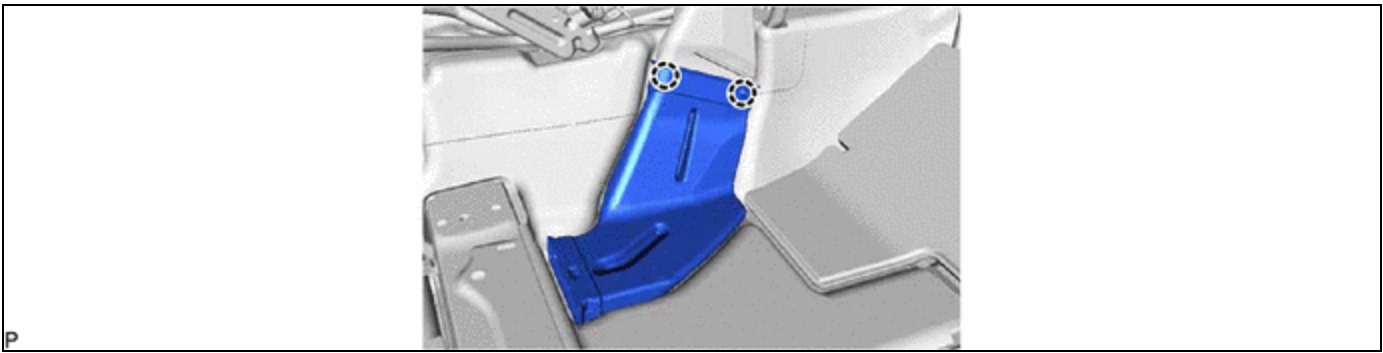
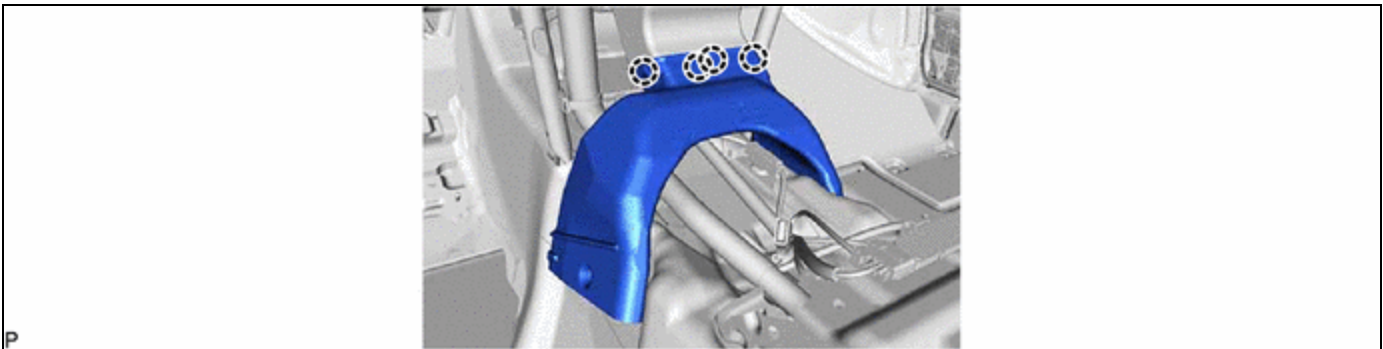
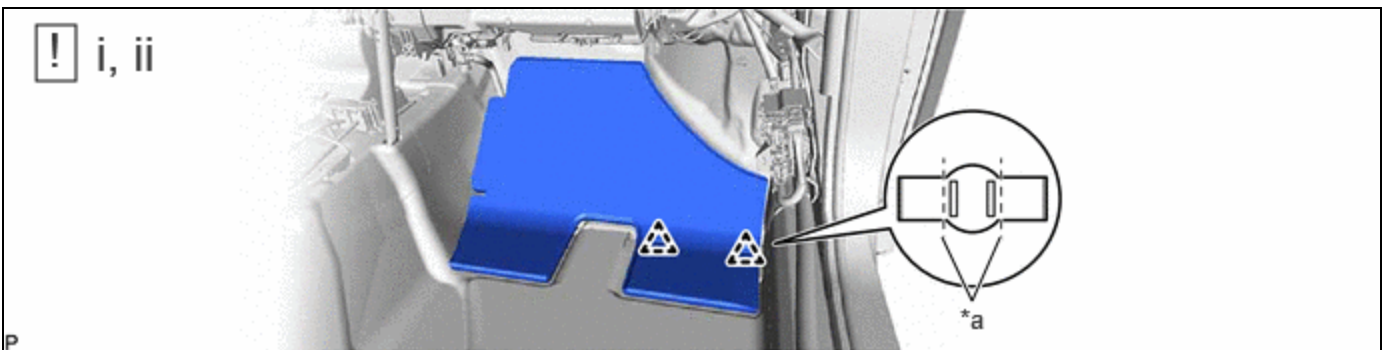


**21. REMOVE REAR NO. 4 AIR DUCT (w/ Rear Air Duct)**



**22. REMOVE REAR NO. 2 AIR DUCT (w/ Rear Air Duct)**



**23. REMOVE REAR NO. 1 AIR DUCT (w/ Rear Air Duct)****24. REMOVE REAR NO. 3 AIR DUCT (w/ Rear Air Duct)****25. REMOVE NO. 3 DASH PANEL INSULATOR PAD**

*a	Cut	-	-
----	-----	---	---

(1) Cut each claw of the 2 clips and remove the No. 3 dash panel insulator pad.

**NOTICE:**

If the No. 3 dash panel insulator pad is damaged, replace it with a new one.

(2) Remove the 2 clips.

**26. REMOVE DCM (TELEMATICS TRANSCEIVER) WITH BRACKET (w/ Telematics Transceiver)**

Click here [INFO](#)

**27. REMOVE DRIVER MONITOR ECU ASSEMBLY (w/ Driver Monitor Camera)**

Click here [INFO](#)

**28. REMOVE NO. 3 INSTRUMENT PANEL TO COWL BRACE SUB-ASSEMBLY**

Click here [INFO](#)

## 29. REMOVE JUNCTION BLOCK BRACKET WITH POWER DISTRIBUTION BOX ASSEMBLY

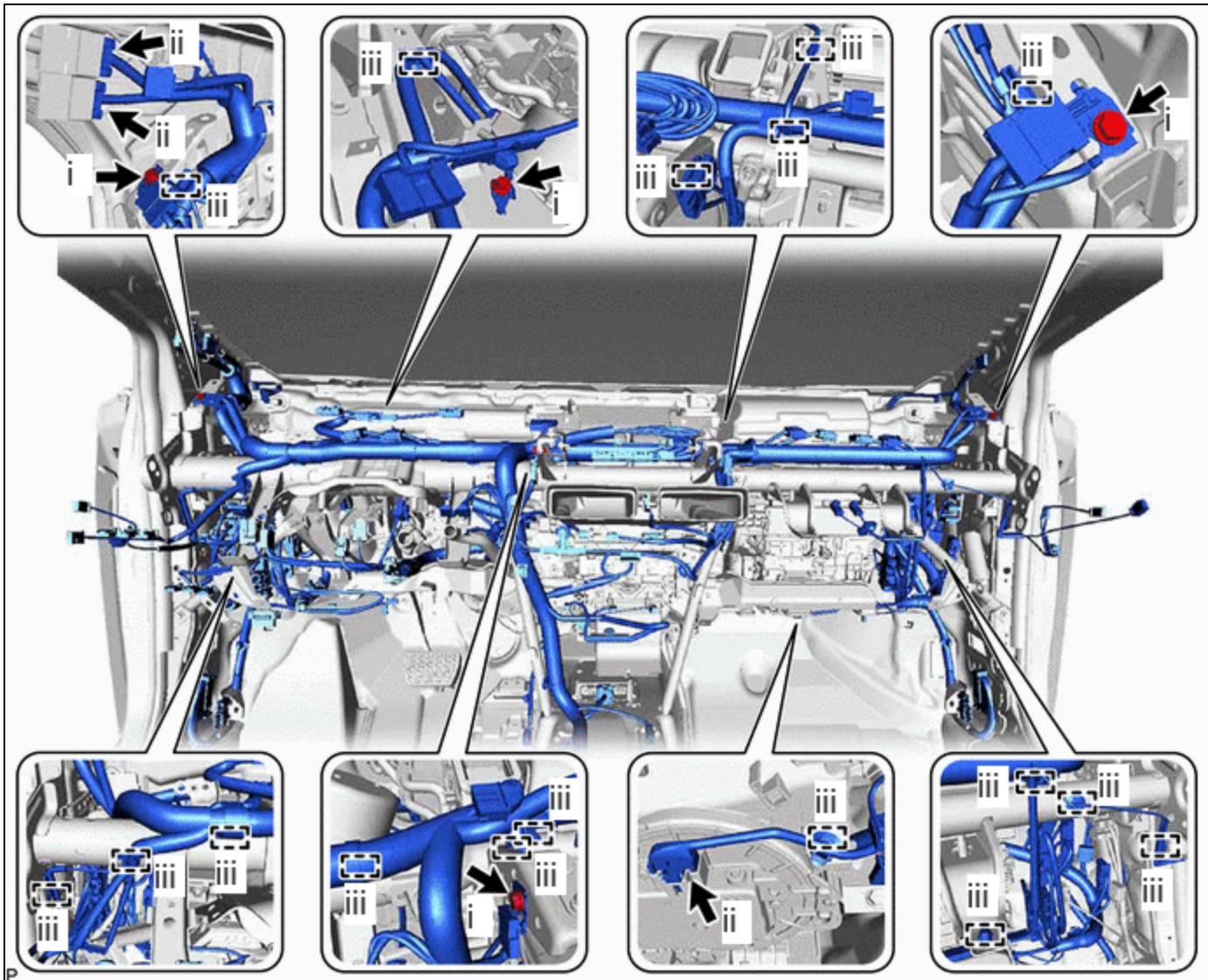


Click here [INFO](#)

## 30. DISCONNECT INSTRUMENT PANEL WIRE

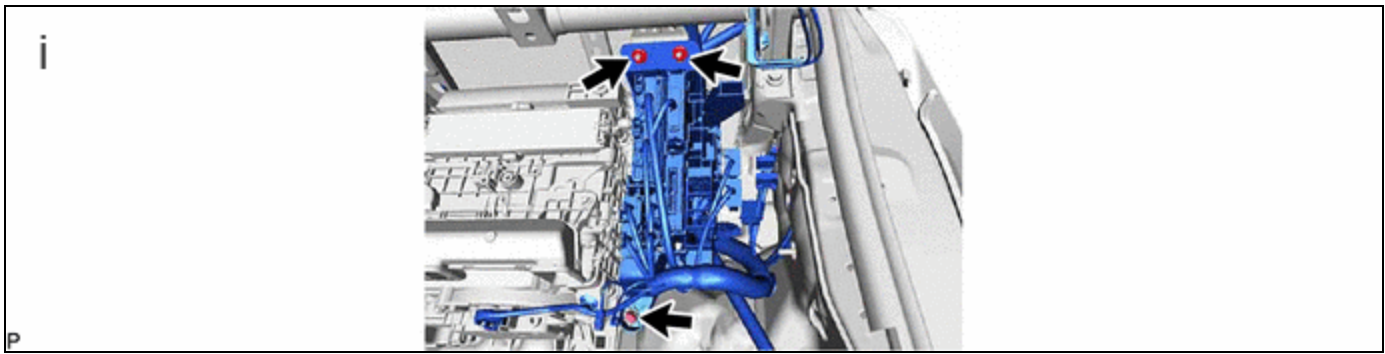
### HINT:

The illustration shown is an example only. The illustration may differ from the actual parts according to the model.

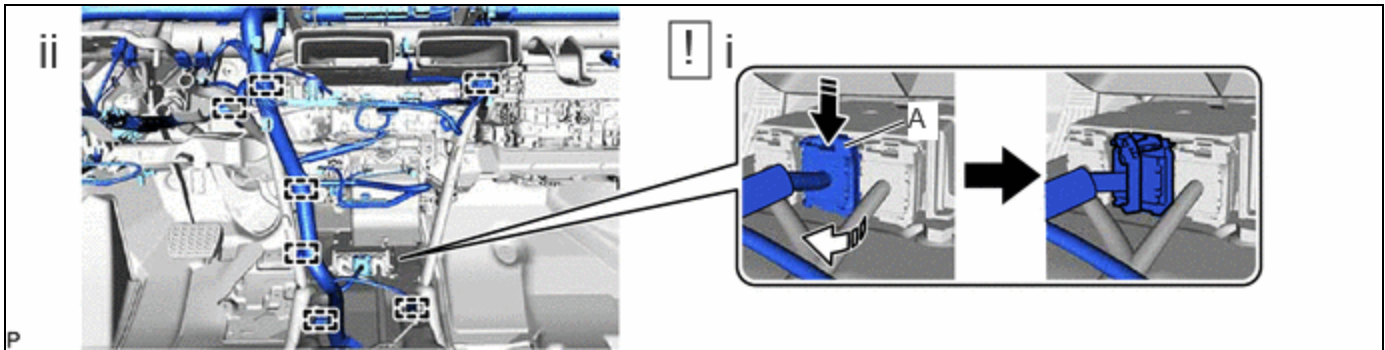


- (1) Remove the 4 bolts and disconnect the 4 earth wires.
- (2) Disconnect each connector.
- (3) Disengage each clamp.





(1) Remove the bolt and 2 nuts, and disconnect the connector holder.



	Release (1)		Move in this Direction (2)
--	-------------	--	----------------------------

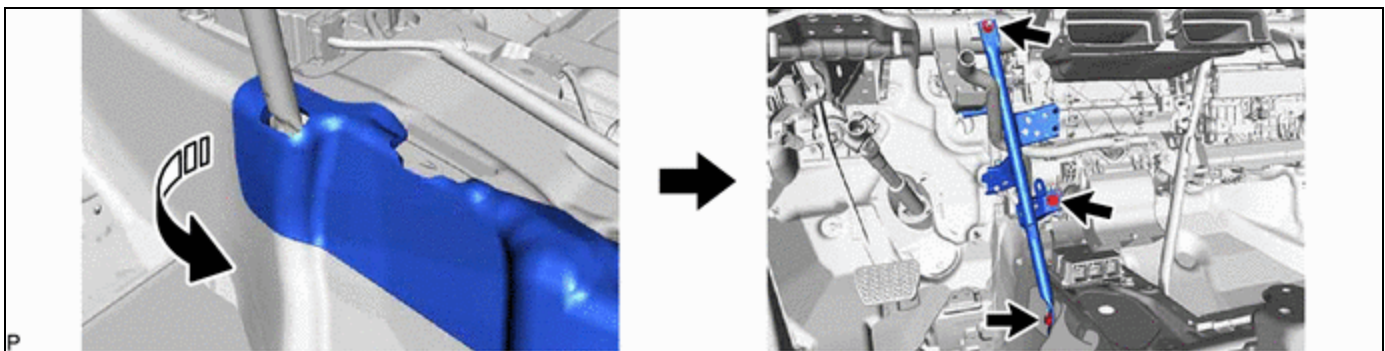
(1) Push down the part (A) in the direction indicated by the arrow (1), to release the lock, and then move the lock lever in the direction indicated by the arrow (2) shown in the illustration to disconnect the connector.

**NOTICE:**

When disconnecting any airbag connector, take care not to damage the airbag wire harness.

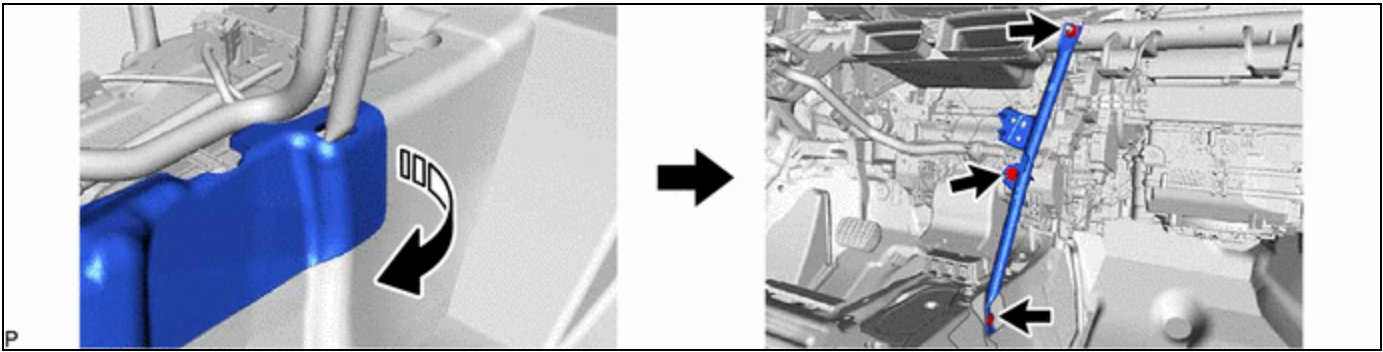
(2) Disengage each clamp and disconnect the instrument panel wire.


**31. REMOVE NO. 1 INSTRUMENT PANEL BRACE SUB-ASSEMBLY**



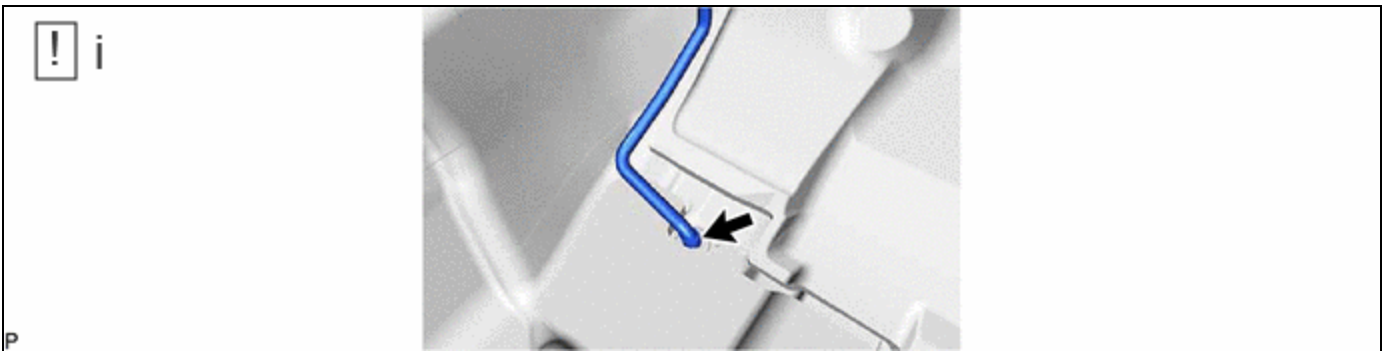
	Remove in this Direction	-	-
--	--------------------------	---	---

**32. REMOVE NO. 2 INSTRUMENT PANEL BRACE SUB-ASSEMBLY**



	Remove in this Direction	-	-
---	--------------------------	---	---

### 33. DISCONNECT DRAIN COOLER HOSE



(1) Disconnect the drain cooler hose from the cooler unit drain hose grommet.

**NOTICE:**

If the cooler unit drain hose grommet was removed from the vehicle body, replace it with a new one.

### 34. REMOVE COOLER UNIT DRAIN HOSE GROMMET

**HINT:**

Perform this procedure only when replacement of the cooler unit drain hose grommet is necessary.



(1) Remove the cooler unit drain hose grommet.

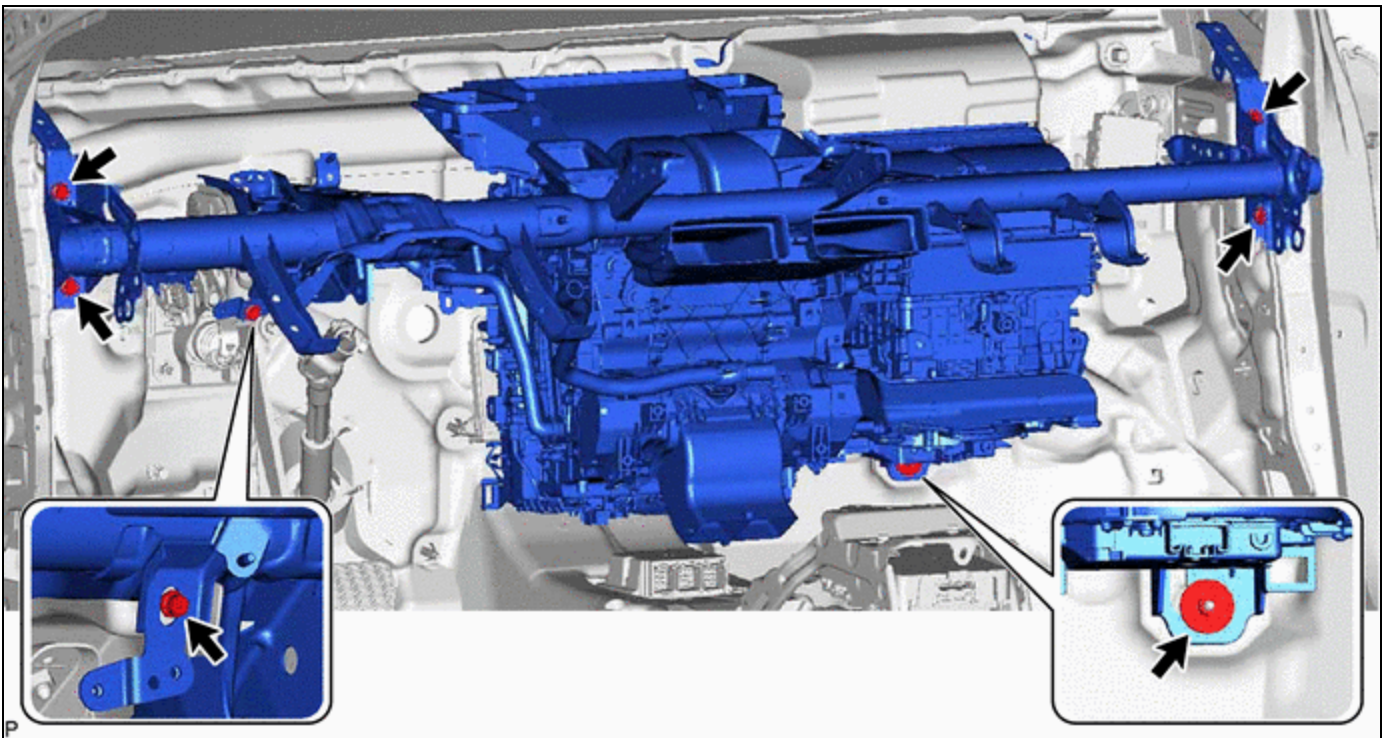
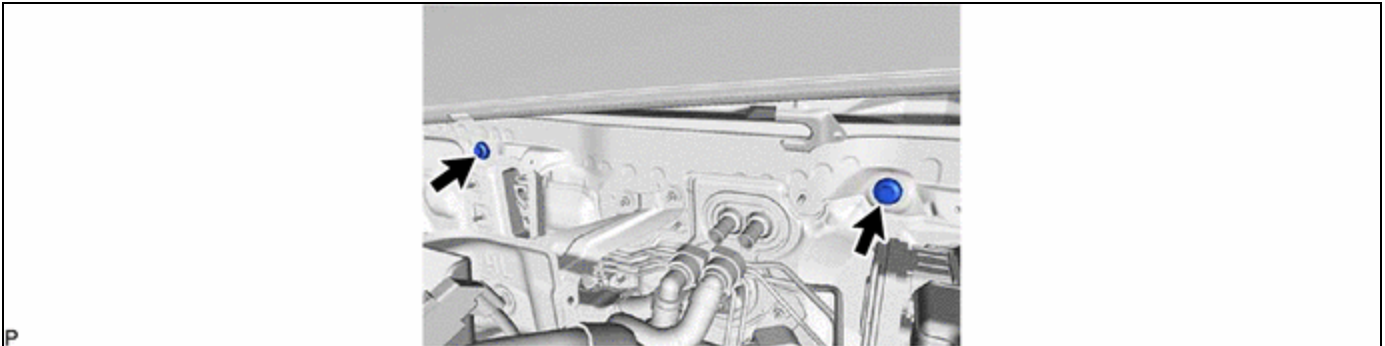
**NOTICE:**

After removing the cooler unit drain hose grommet, replace it with a new one to prevent water from entering.

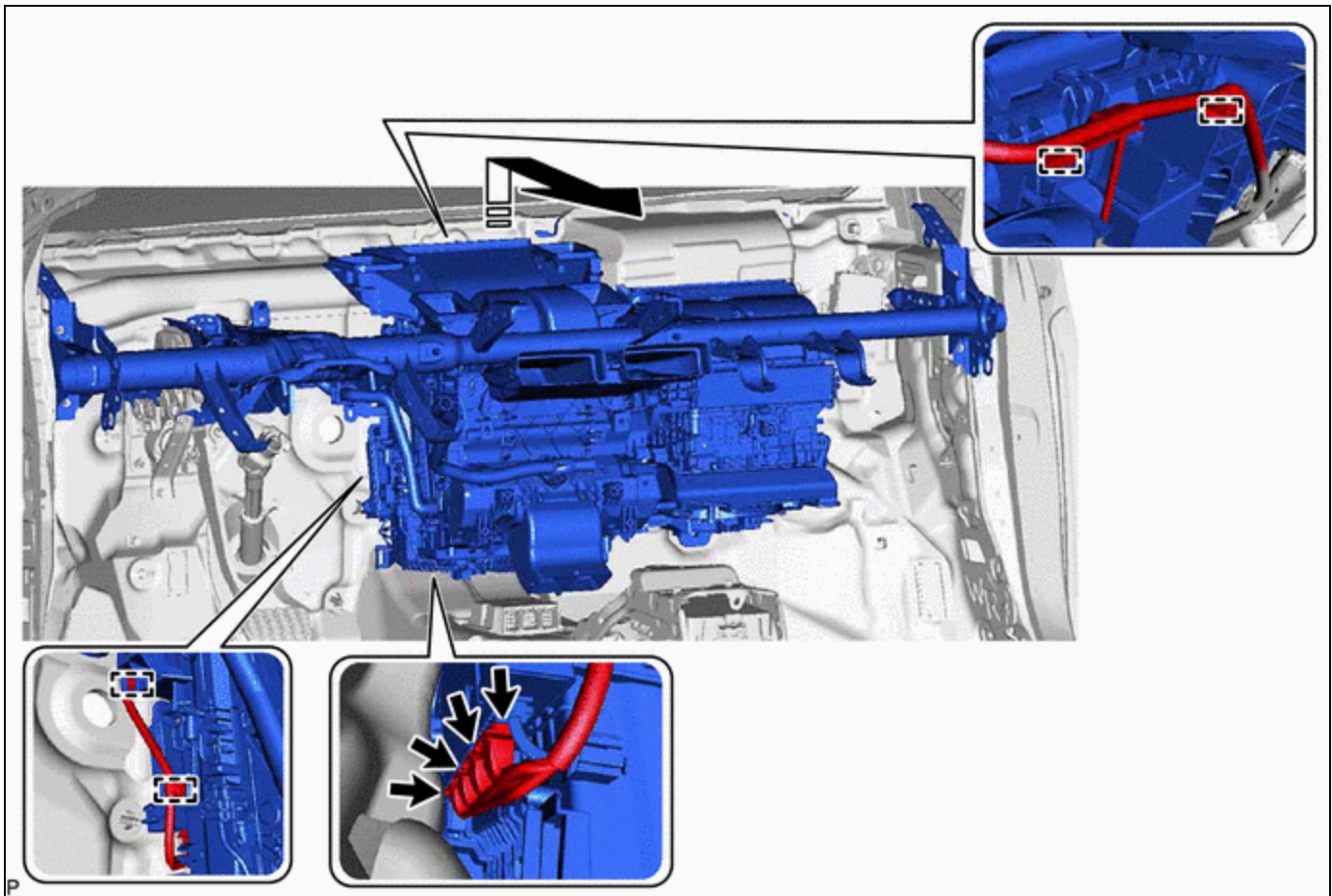
### 35. REMOVE INSTRUMENT PANEL REINFORCEMENT ASSEMBLY WITH AIR CONDITIONER UNIT ASSEMBLY


**NOTICE:**

- Be sure to support the air conditioner unit assembly when removing it. Failure to do so may cause the bracket of the air conditioner unit assembly to break.
- When disassembling the air conditioner unit assembly, eliminate static electricity by touching the vehicle body to prevent the components from being damaged.

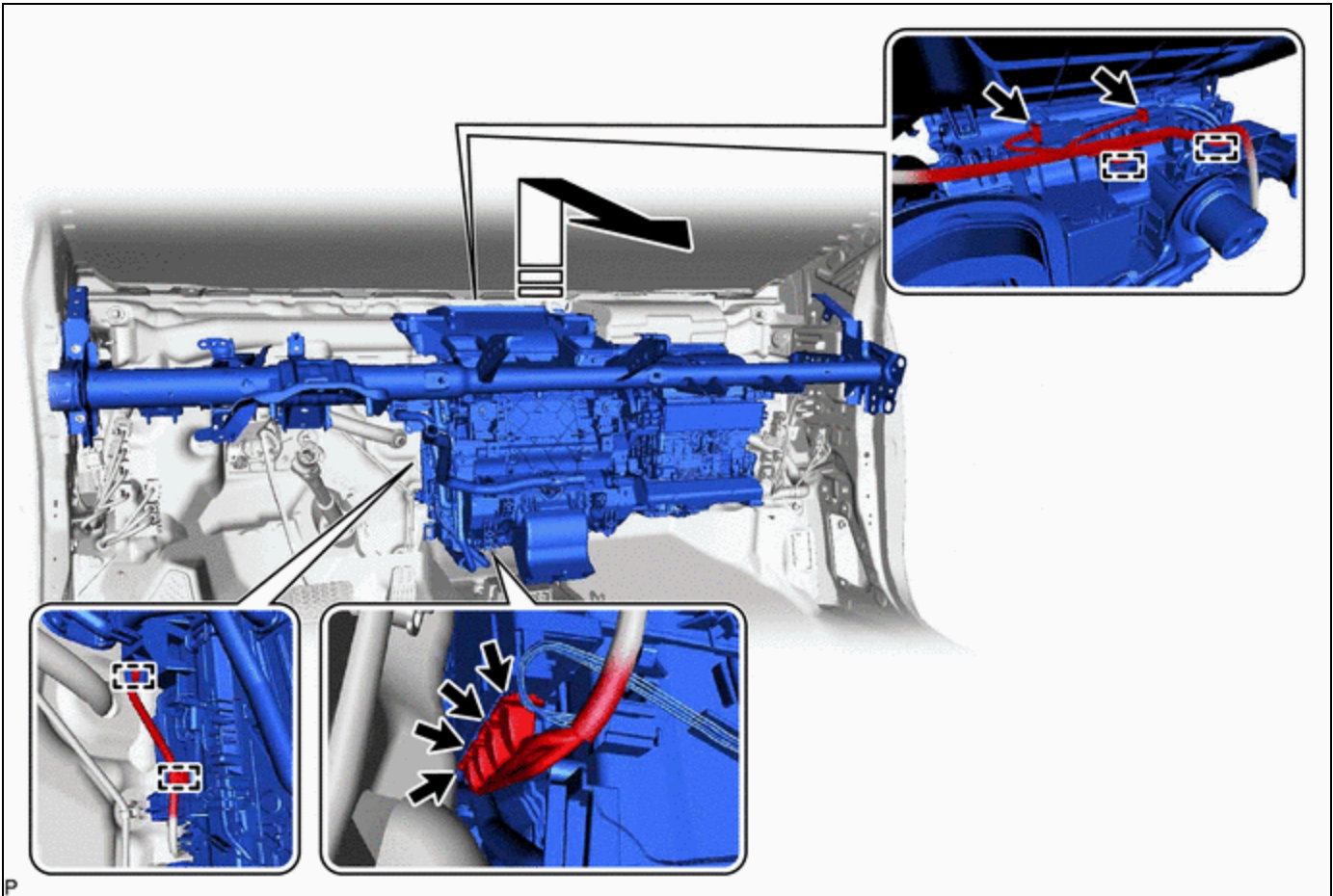



(c) for HEV Model:



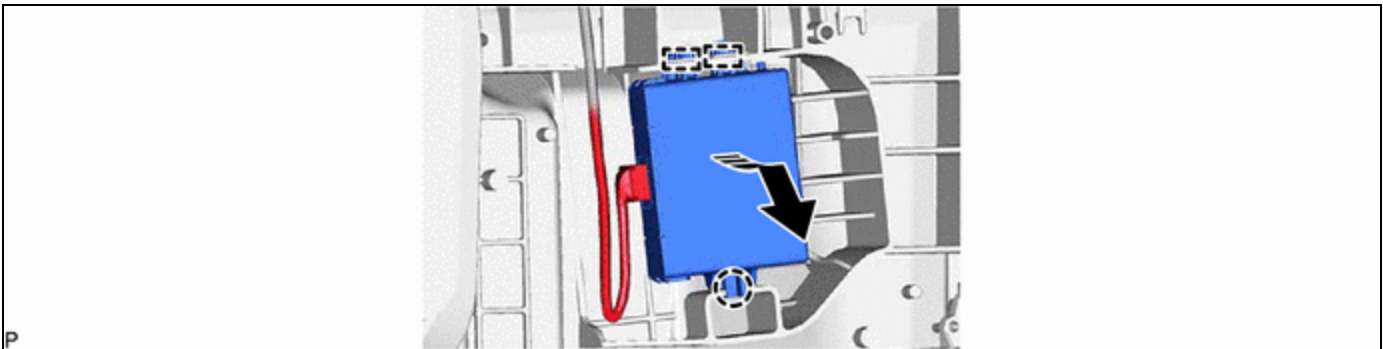
	Remove in this Direction	-	-
---	--------------------------	---	---


(d) for PHEV Model:



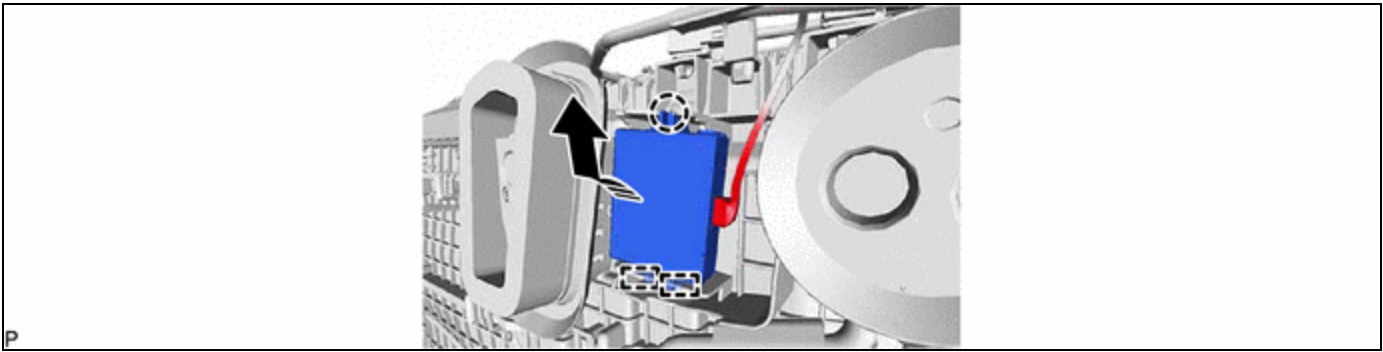
	Remove in this Direction	-	-
---	--------------------------	---	---


(e) for HEV Model:



	Remove in this Direction	-	-
---	--------------------------	---	---

(f) for PHEV Model:



	Remove in this Direction	-	-
---	--------------------------	---	---

### 36. REMOVE AIR CONDITIONER UNIT ASSEMBLY

