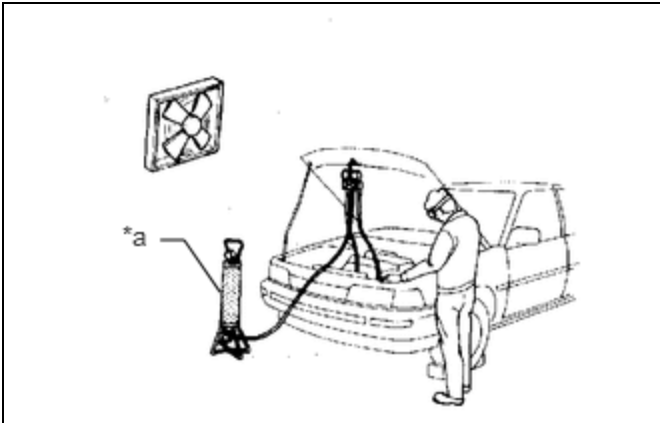


Last Modified: 12-04-2024	6.11:8.1.0	Doc ID: RM10000002AQ00
Model Year Start: 2023	Model: Prius Prime	Prod Date Range: [03/2023 -]
Title: HEATING / AIR CONDITIONING: AIR CONDITIONING SYSTEM (for PHEV Model): PRECAUTION; 2023 - 2024 MY Prius Prime [03/2023 -]		

PRECAUTION

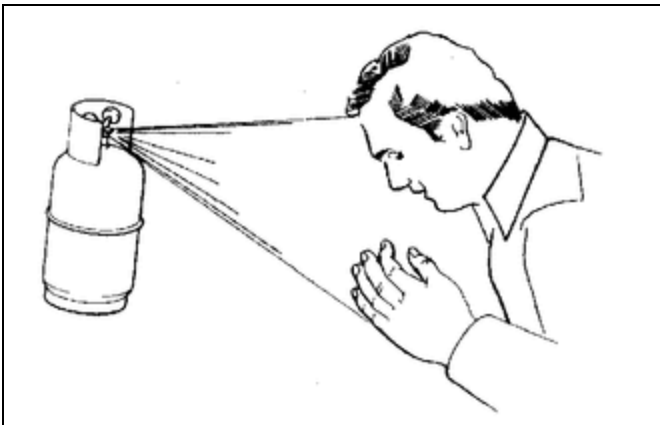
DO NOT HANDLE REFRIGERANT IN AN ENCLOSED AREA OR NEAR AN OPEN FLAME



*a Charging Cylinder

ALWAYS WEAR EYE PROTECTION

BE CAREFUL NOT TO GET LIQUID REFRIGERANT IN YOUR EYES OR ON YOUR SKIN



If liquid refrigerant gets in your eyes or on your skin.

(a) Wash the area with lots of cold water.

CAUTION:

Do not rub your eyes or skin.

(b) Apply clean petroleum jelly to the skin.

(c) Go immediately to a hospital or see a physician for professional treatment.

NEVER HEAT CONTAINER OR EXPOSE CONTAINER TO AN OPEN FLAME

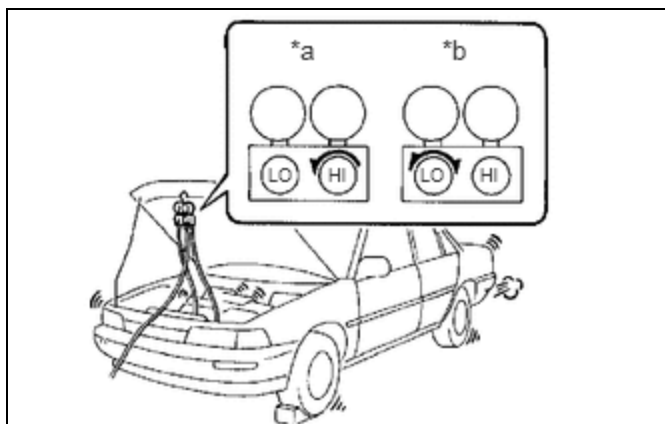
BE CAREFUL NOT TO DROP CONTAINER OR APPLY PHYSICAL SHOCKS TO IT

DO NOT OPERATE COMPRESSOR WITHOUT ENOUGH REFRIGERANT IN REFRIGERANT SYSTEM

If there is not enough refrigerant in the air conditioning system, oil lubrication will be insufficient and the compressor may be damaged.

Necessary care should be taken to avoid this.

DO NOT OPEN HIGH PRESSURE MANIFOLD VALVE WHILE COMPRESSOR IS OPERATING



*a	Wrong
*b	Okay

Open and close only the low pressure valve.

If the high pressure valve is opened, refrigerant will flow in the reverse direction causing the charging cylinder to rupture.

BE CAREFUL NOT TO OVERCHARGE SYSTEM WITH REFRIGERANT

If the system is overcharged with refrigerant, it causes problems such as insufficient cooling, poor fuel economy, engine overheating, etc.

DO NOT OPERATE ENGINE AND COMPRESSOR WITH NO REFRIGERANT

CAUTION:

Doing so may damage the inside of the compressor because the compressor parts always move regardless of whether the air conditioning system is turned on or off.

SUPPLEMENTAL RESTRAINT SYSTEM (SRS)

This vehicle is equipped with a Supplemental Restraint System (SRS). Failure to carry out service operations in the correct sequence could cause the SRS to unexpectedly deploy during servicing, possibly leading to a serious accident. Before servicing (including removal or installation of parts, inspection or replacement), be sure to read the precautionary notices.

Click here [INFO](#)

GENERAL PRECAUTION

While using the battery during inspection, do not bring the positive (+) and negative (-) tester probes too close to each other as a short circuit may occur.

PRECAUTIONS FOR DISCONNECTING CABLE FROM NEGATIVE (-) AUXILIARY BATTERY TERMINAL

NOTICE:

After the ignition switch is turned off, there may be a waiting time before disconnecting the negative (-) auxiliary battery terminal.

[Click here](#) 

HINT:

When disconnecting and reconnecting the auxiliary battery, there is an automatic learning function that completes learning when the respective system is used.

[Click here](#) 

