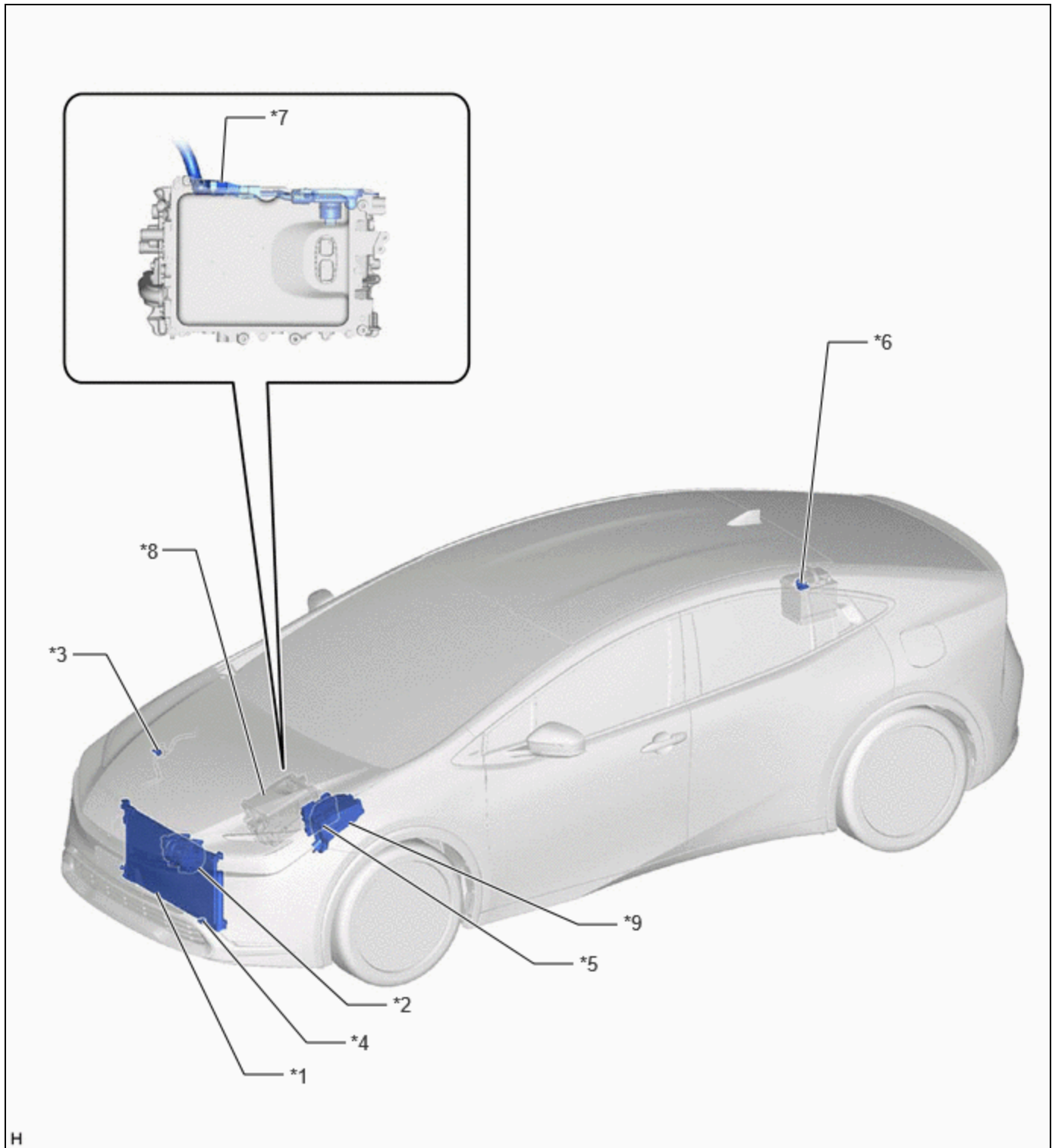


<b>Last Modified:</b> 12-04-2024	6.11:8.1.0	<b>Doc ID:</b> RM10000000290Z3
<b>Model Year Start:</b> 2023	<b>Model:</b> Prius	<b>Prod Date Range:</b> [12/2022 - ]
<b>Title:</b> HEATING / AIR CONDITIONING: AIR CONDITIONING SYSTEM (for HEV Model): PARTS LOCATION; 2023 - 2024 MY Prius [12/2022 - ]		

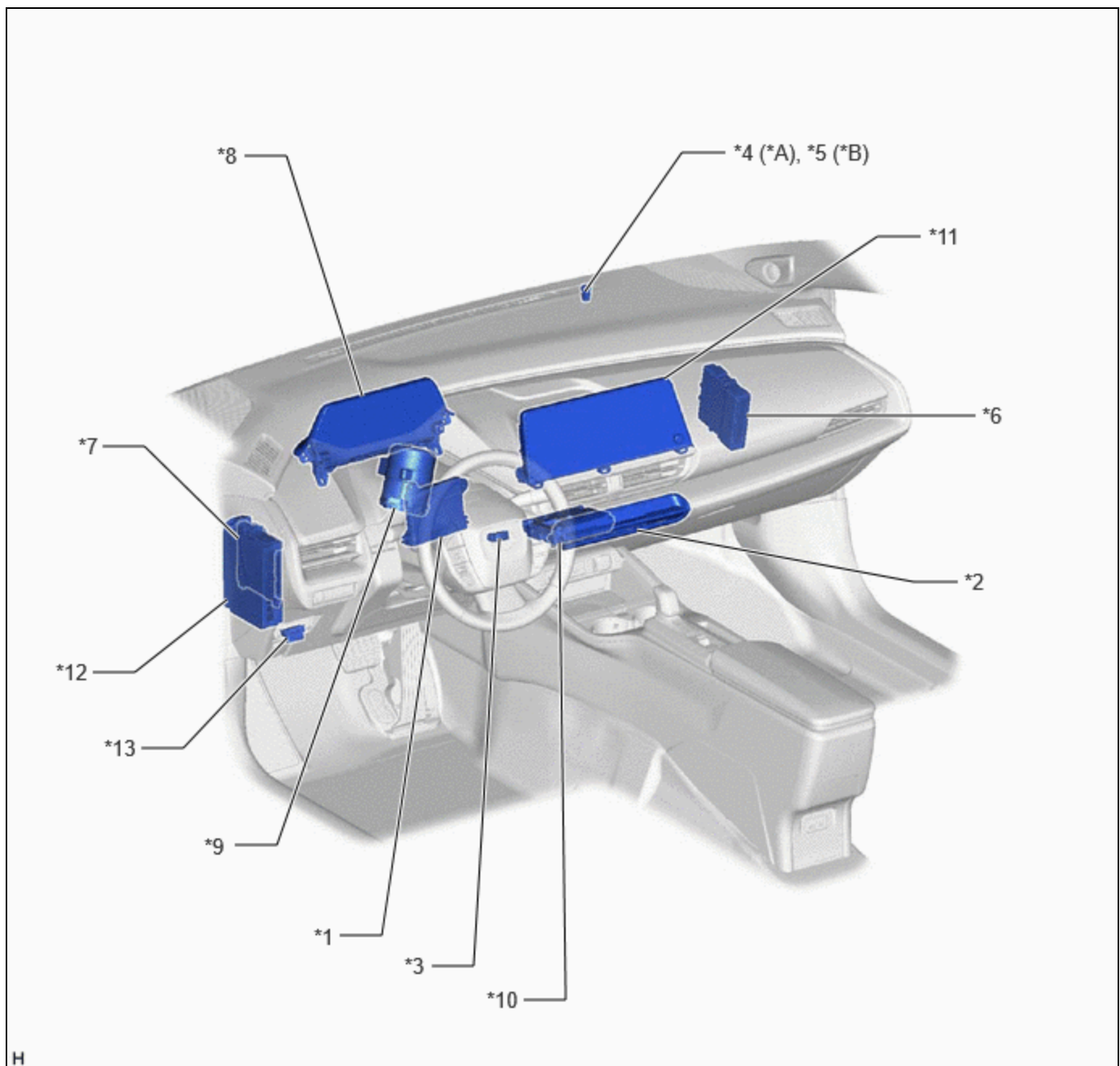
## PARTS LOCATION

### ILLUSTRATION



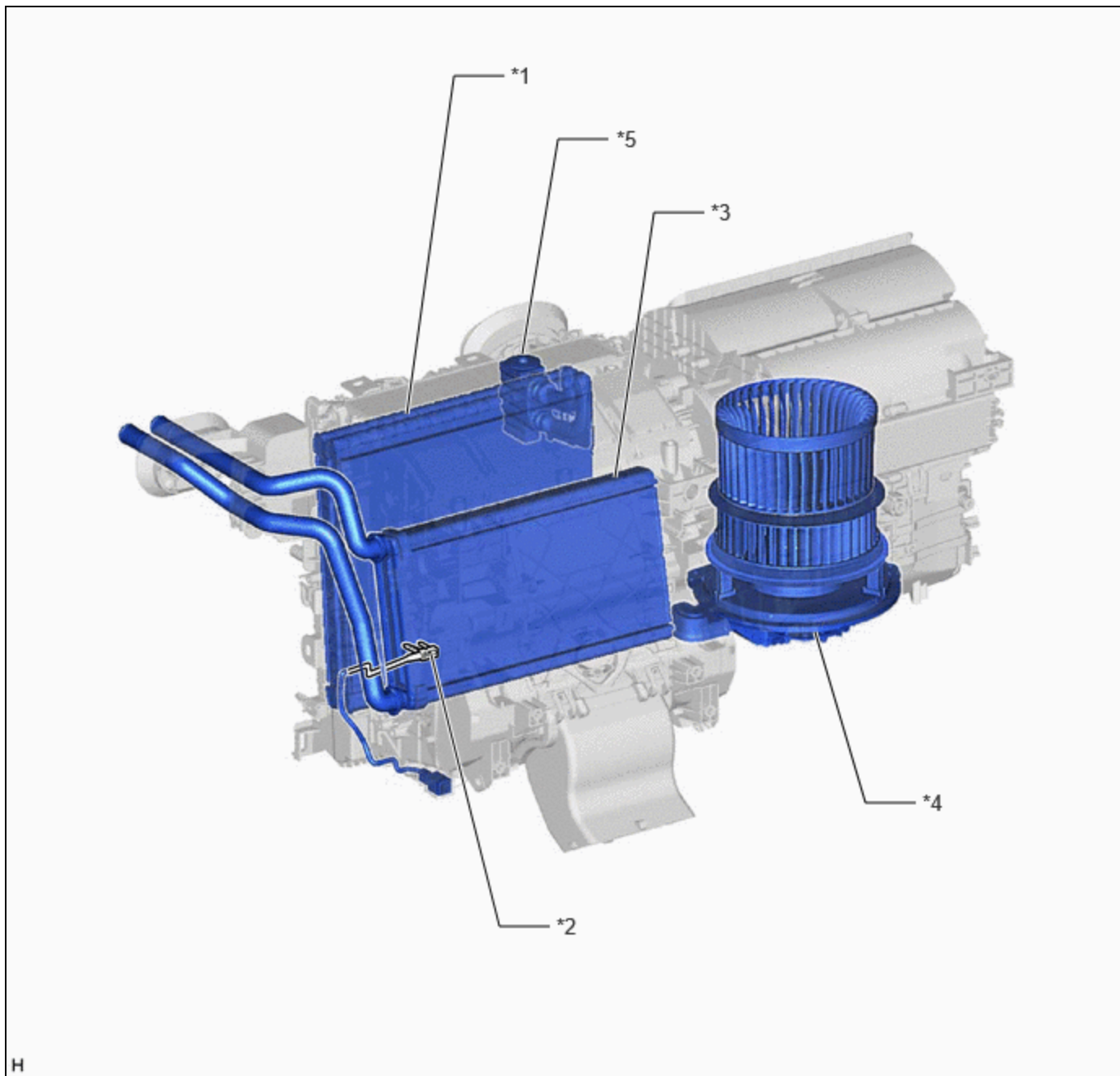
*1	COOLER CONDENSER ASSEMBLY	*2	COMPRESSOR WITH MOTOR ASSEMBLY
*3	AIR CONDITIONING PRESSURE SENSOR	*4	AMBIENT TEMP. SENSOR (THERMISTOR ASSEMBLY)
*5	ECM	*6	BATTERY STATE SENSOR ASSEMBLY
*7	HV AIR CONDITIONING WIRE	*8	INVERTER WITH CONVERTER ASSEMBLY
*9	NO. 1 ENGINE ROOM RELAY BLOCK AND NO. 1 JUNCTION BLOCK ASSEMBLY - HTR FUSE - ECU-IGP NO. 3 FUSE	-	-

## ILLUSTRATION



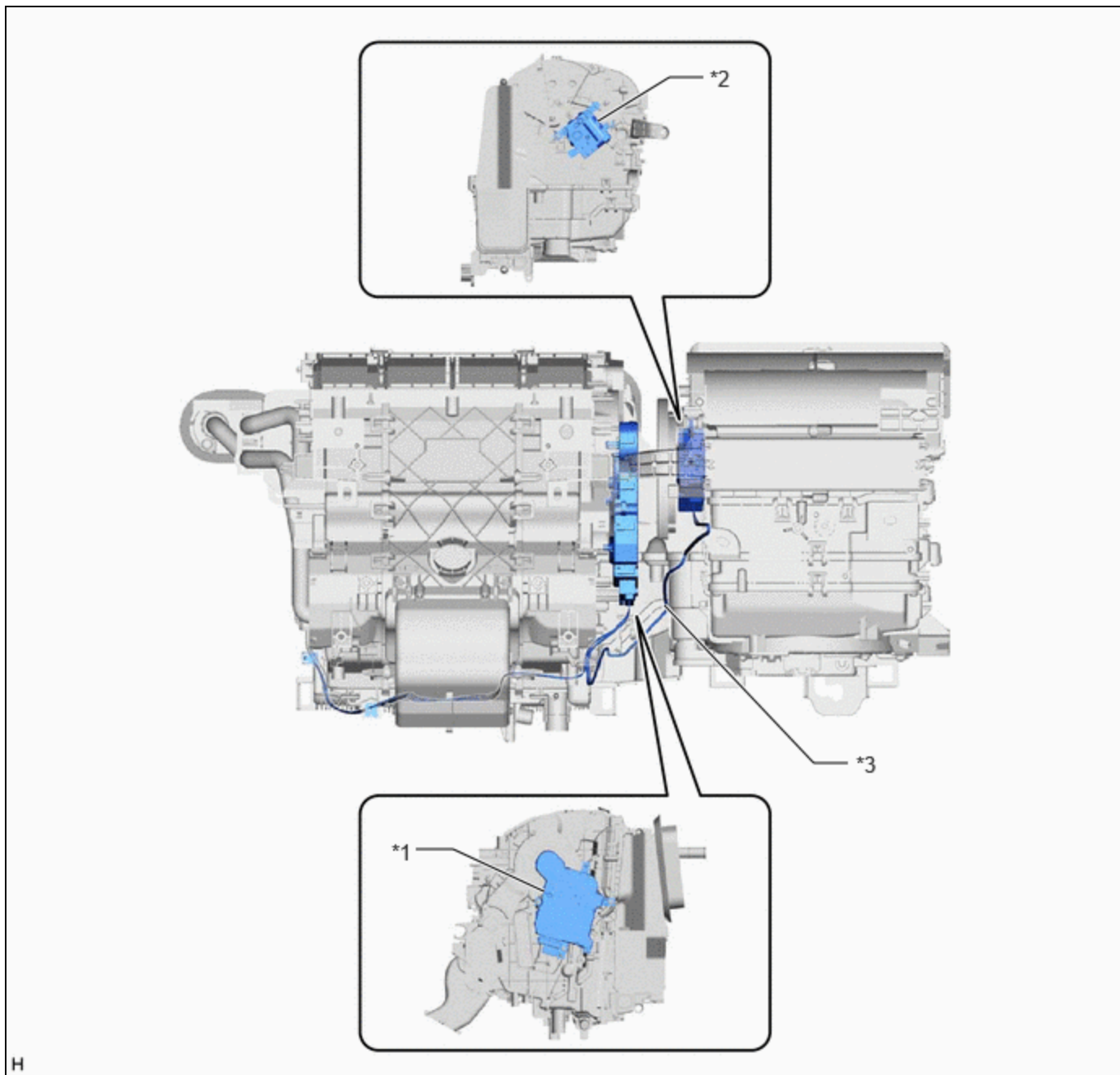
*A	w/o Automatic Light Control	*B	w/ Automatic Light Control
*1	AIR CONDITIONING AMPLIFIER ASSEMBLY	*2	AIR CONDITIONING CONTROL ASSEMBLY
*3	ROOM TEMP. SENSOR (COOLER THERMISTOR)	*4	SOLAR SENSOR (COOLER THERMISTOR)
*5	SOLAR SENSOR (AUTOMATIC LIGHT CONTROL SENSOR)	*6	HYBRID VEHICLE CONTROL ECU
*7	MAIN BODY ECU (MULTIPLEX NETWORK BODY ECU)	*8	COMBINATION METER ASSEMBLY
*9	POWER STEERING ECU ASSEMBLY	*10	DCM (TELEMATICS TRANSCEIVER)
*11	RADIO AND DISPLAY RECEIVER ASSEMBLY	*12	POWER DISTRIBUTION BOX ASSEMBLY - ECU-B NO. 3 FUSE
*13	DLC3	-	-

## ILLUSTRATION



*1	NO. 1 COOLER EVAPORATOR SUB-ASSEMBLY	*2	EVAPORATOR TEMP. SENSOR (NO. 1 COOLER THERMISTOR)
*3	HEATER RADIATOR UNIT SUB-ASSEMBLY	*4	BLOWER MOTOR WITH FAN SUB-ASSEMBLY
*5	COOLER EXPANSION VALVE	-	-

**ILLUSTRATION**



*1	NO. 1 AIR CONDITIONING RADIATOR DAMPER SERVO SUB-ASSEMBLY	*2	NO. 1 BLOWER DAMPER SERVO SUB-ASSEMBLY
*3	AIR CONDITIONING HARNESS ASSEMBLY	-	-

