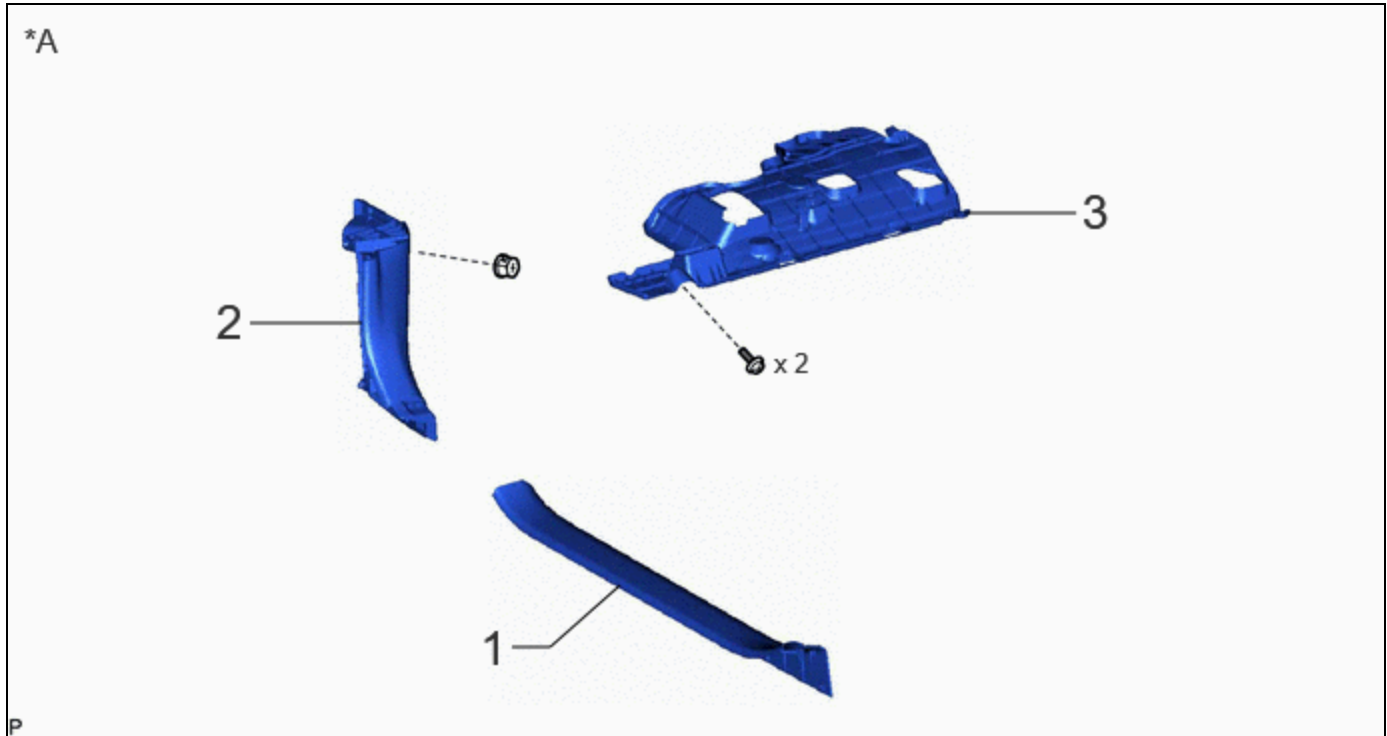


Last Modified: 12-04-2024	6.11:8.1.0	Doc ID: RM1000000029ZWK
Model Year Start: 2023	Model: Prius Prime	Prod Date Range: [12/2022 -]
Title: HEATING / AIR CONDITIONING: AIR CONDITIONING PANEL: REMOVAL; 2023 - 2024 MY Prius Prius Prime [12/2022 -]		

REMOVAL

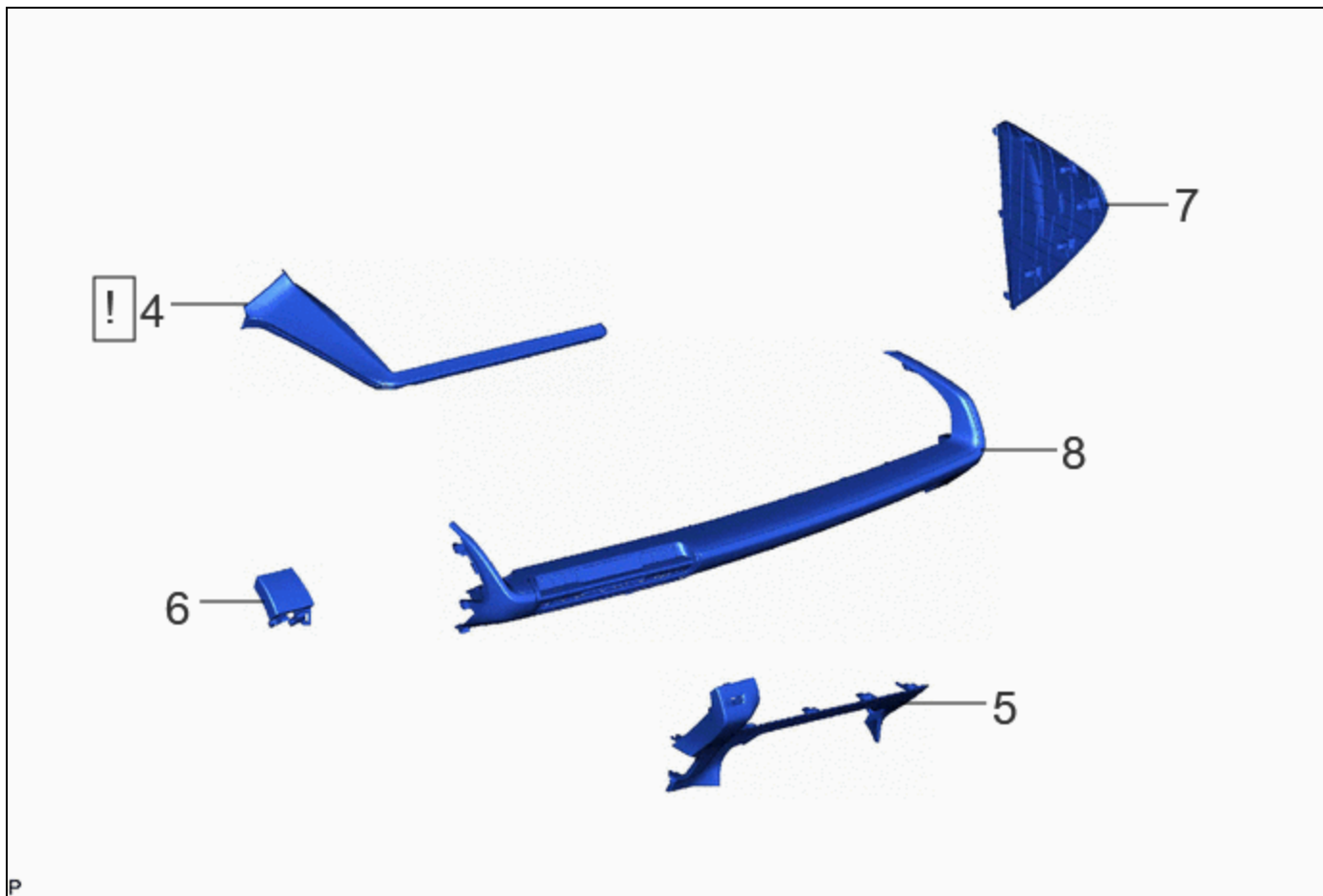
CAUTION / NOTICE / HINT




COMPONENTS (REMOVAL)

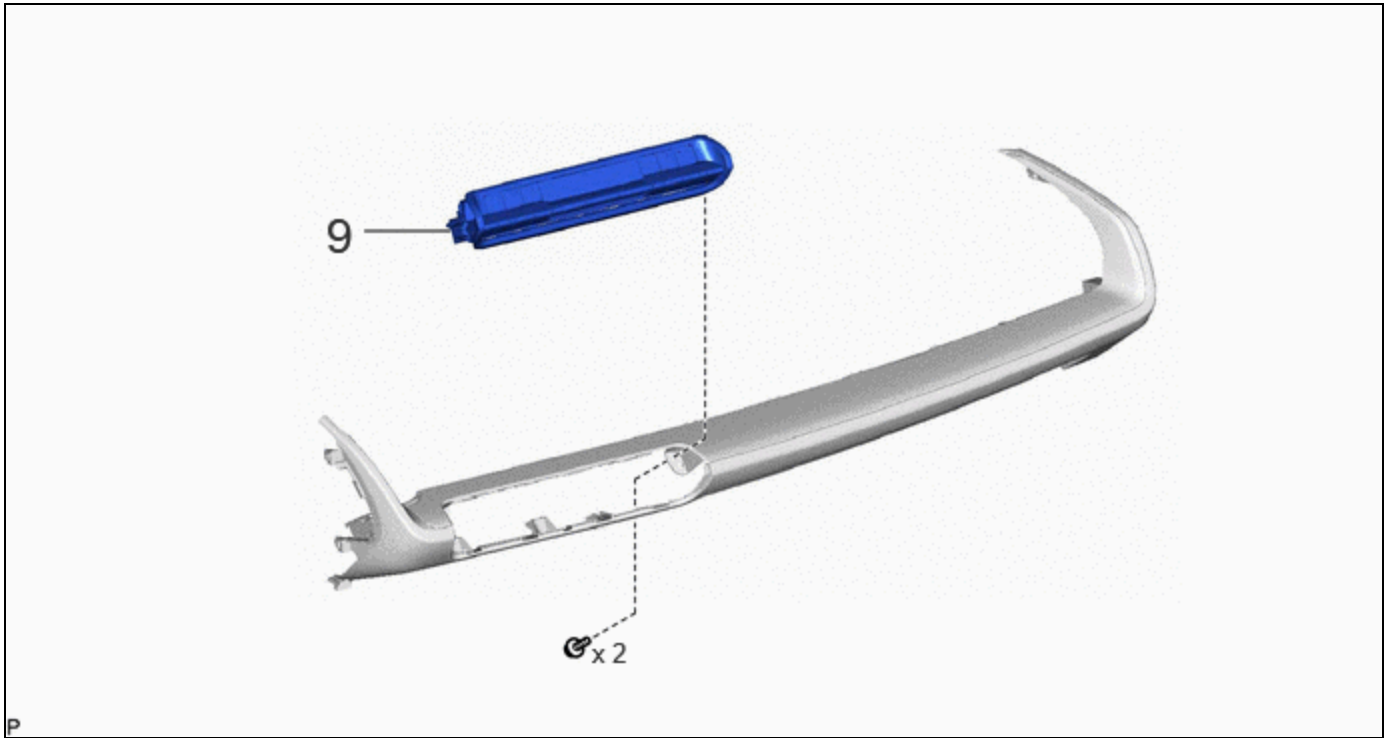





	PROCEDURE	PART NAME CODE			
1	FRONT DOOR SCUFF PLATE LH	67914	-	-	-
2	COWL SIDE TRIM BOARD LH	62112	-	-	-
3	NO. 1 INSTRUMENT PANEL UNDER COVER SUB-ASSEMBLY	55606	-	-	-

*A	w/ Knee Airbag	-	-
----	----------------	---	---



PROCEDURE		PART NAME CODE			
4	CENTER INSTRUMENT CLUSTER FINISH PANEL ASSEMBLY	55420A	INFO	-	-
5	LOWER CENTER INSTRUMENT PANEL FINISH PANEL	55434B	-	-	-
6	LOWER CENTER INSTRUMENT CLUSTER FINISH PANEL SUB-ASSEMBLY	55406B	-	-	-
7	INSTRUMENT SIDE PANEL RH	55317A	-	-	-
8	NO. 2 INSTRUMENT PANEL GARNISH SUB-ASSEMBLY WITH AIR CONDITIONING CONTROL ASSEMBLY	-	-	-	-



PROCEDURE	PART NAME CODE			
9 AIR CONDITIONING CONTROL ASSEMBLY	55900	-	-	-

PROCEDURE

1. REMOVE FRONT DOOR SCUFF PLATE LH (w/ Knee Airbag)

Click here [INFO](#)


2. REMOVE COWL SIDE TRIM BOARD LH (w/ Knee Airbag)

Click here [INFO](#)

3. REMOVE NO. 1 INSTRUMENT PANEL UNDER COVER SUB-ASSEMBLY (w/ Knee Airbag)

Click here [INFO](#)

4. REMOVE CENTER INSTRUMENT CLUSTER FINISH PANEL ASSEMBLY

	Click here INFO
---	---------------------------------

5. REMOVE LOWER CENTER INSTRUMENT PANEL FINISH PANEL

Click here [INFO](#)

6. REMOVE LOWER CENTER INSTRUMENT CLUSTER FINISH PANEL SUB-ASSEMBLY

Click here [INFO](#)

7. REMOVE INSTRUMENT SIDE PANEL RH

Click here [INFO](#)

8. REMOVE NO. 2 INSTRUMENT PANEL GARNISH SUB-ASSEMBLY WITH AIR CONDITIONING CONTROL ASSEMBLY

Click here [INFO](#)

9. REMOVE AIR CONDITIONING CONTROL ASSEMBLY

