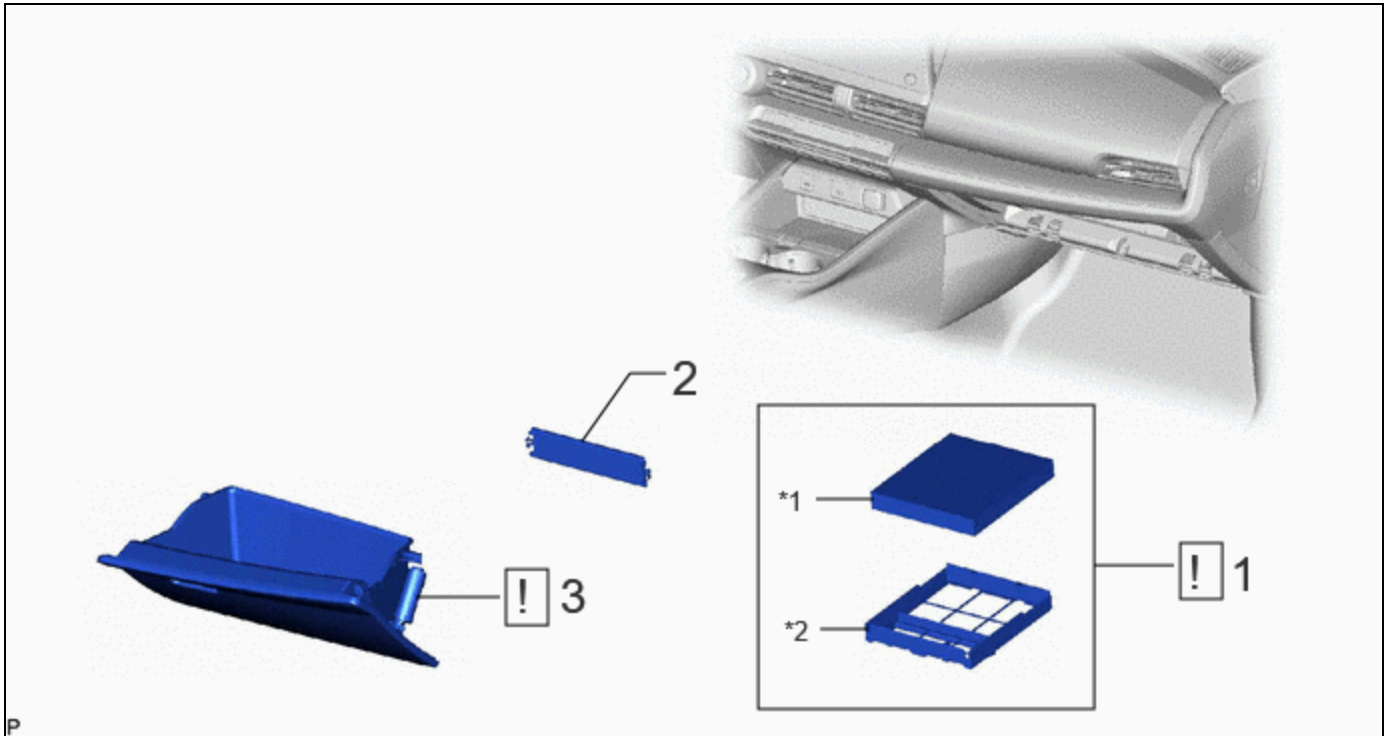


Last Modified: 12-04-2024	6.11:8.1.0	Doc ID: RM100000002A0CH
Model Year Start: 2023	Model: Prius Prime	Prod Date Range: [12/2022 -]
Title: MAINTENANCE: AIR CONDITIONING FILTER: INSTALLATION; 2023 - 2024 MY Prius Prius Prime [12/2022 -]		

INSTALLATION

CAUTION / NOTICE / HINT

COMPONENTS (INSTALLATION)

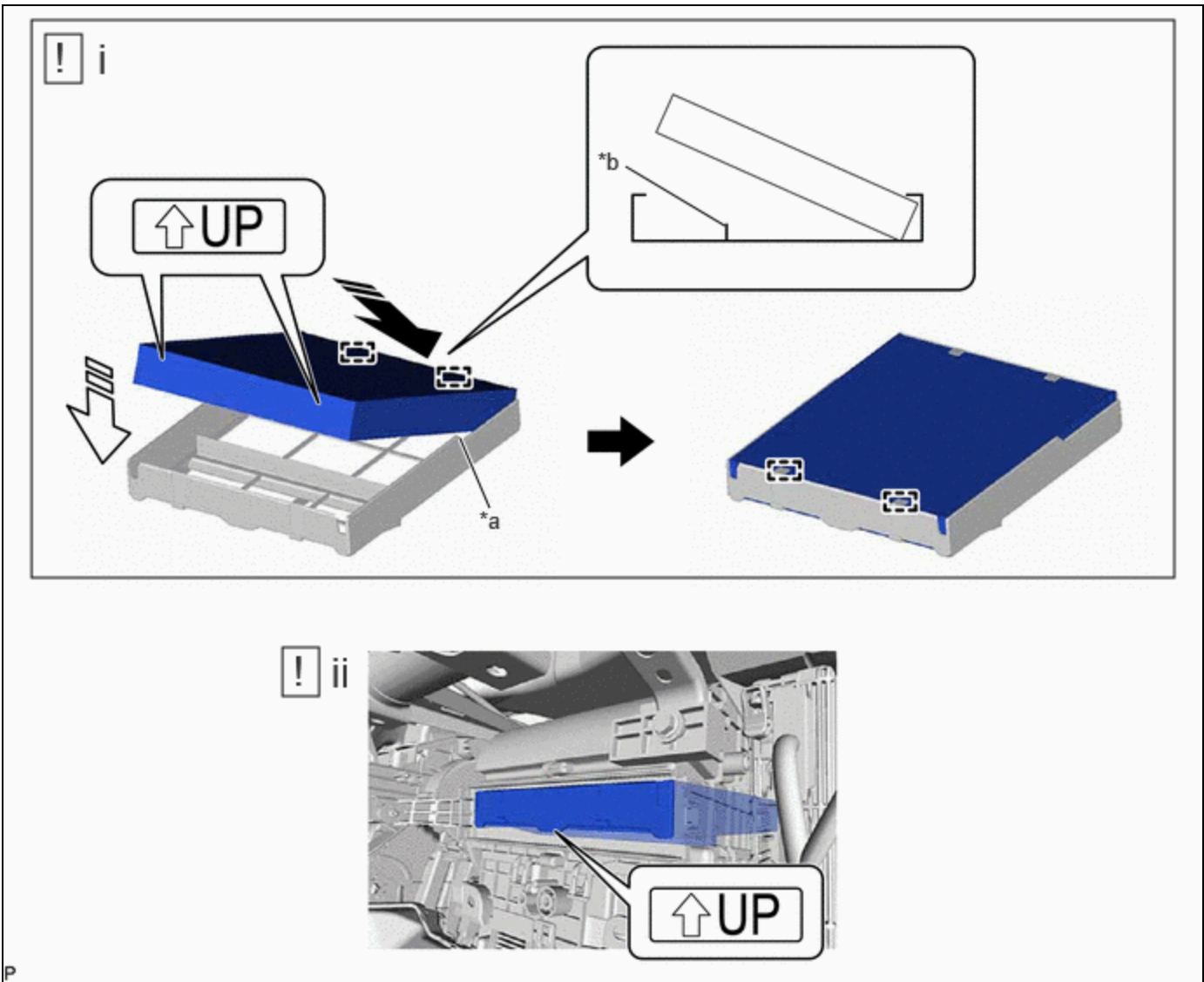


	PROCEDURE	PART NAME CODE	!	📄	⚙️
1	AIR FILTER SUB-ASSEMBLY	-	INFO	-	-
2	AIR FILTER COVER PLATE	88899M	-	-	-
3	GLOVE COMPARTMENT DOOR ASSEMBLY	55550	INFO	-	-

*1	CLEAN AIR FILTER	*2	AIR FILTER CASE
----	------------------	----	-----------------

PROCEDURE

1. INSTALL AIR FILTER SUB-ASSEMBLY



*a	Cutout	*b	Rib
	Install in this Direction (1)		Install in this Direction (2)

(1) Engage the 2 guides on the cutout side of the air filter case and then engage the 2 guides as shown in the illustration to install the clean air filter.

NOTICE:

- Make sure that the "UP" marks are facing the correct direction before installing the clean air filter.
- Make sure that there is no clearance between the clean air filter and air filter case and that the clean air filter is not deformed.

(2) Install the air filter sub-assembly as shown in the illustration.

NOTICE:

Make sure that the "UP" mark is facing the correct direction before installing the air filter sub-assembly.

2. INSTALL AIR FILTER COVER PLATE

3. INSTALL GLOVE COMPARTMENT DOOR ASSEMBLY



Click here [INFO](#) [INFO](#)

