

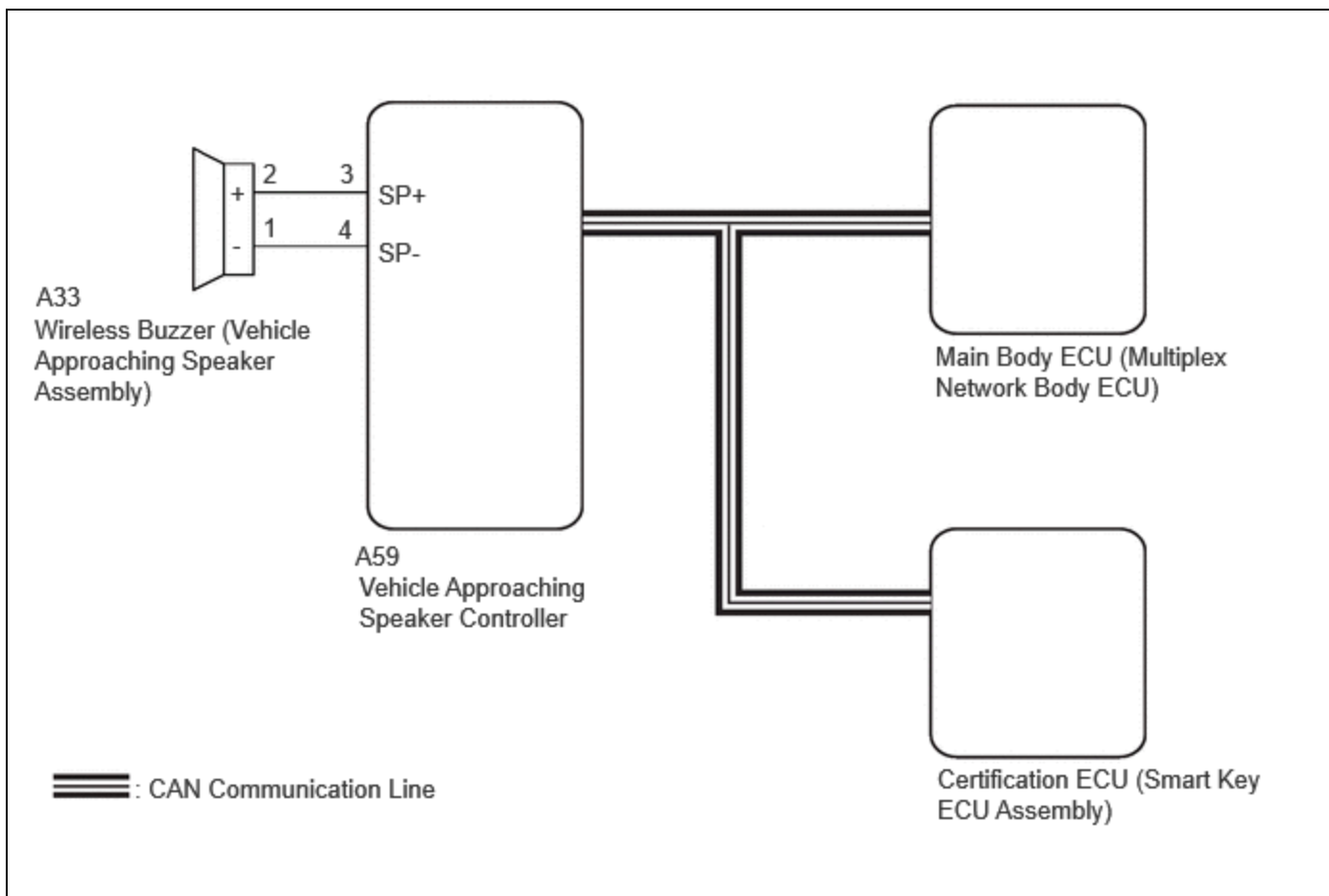
<b>Last Modified:</b> 12-04-2024	6.11:8.1.0	<b>Doc ID:</b> RM100000029099
<b>Model Year Start:</b> 2023	<b>Model:</b> Prius Prime	<b>Prod Date Range:</b> [12/2022 - ]
<b>Title:</b> THEFT DETERRENT / KEYLESS ENTRY: SMART KEY SYSTEM (for Entry Function): Entry Exterior Alarm and Answer-back Buzzer do not Sound; 2023 - 2024 MY Prius Prius Prime [12/2022 - ]		

**Entry Exterior Alarm and Answer-back Buzzer do not Sound**

## DESCRIPTION

The smart key system (for Entry Function) uses the wireless buzzer to perform various vehicle exterior warnings. When the conditions of each warning are met, the certification ECU (smart key ECU assembly) sends a buzzer activation request signal to the main body ECU (multiplex network body ECU) via CAN communication and the buzzer sounds.

## WIRING DIAGRAM



## CAUTION / NOTICE / HINT

**NOTICE:**

- When using the GTS with the ignition switch off, perform lock and unlock operations using the door control switch of the multiplex network master switch assembly at intervals of 1.5 seconds or less until communication between the GTS and the vehicle begins, and then select the vehicle model manually.

Then select Model Code "KEY REGIST" under manual mode and enter the following menus: Body Electrical / Smart Key(CAN). While using the GTS, periodically perform lock and unlock operations using the door control switch of the multiplex network master switch assembly at intervals of 1.5 seconds or less to maintain communication between the GTS and the vehicle.

- The smart key system (for Entry Function) uses the CAN communication system. Inspect the communication function by following How to Proceed with Troubleshooting. Troubleshoot the smart key system (for Entry Function) after confirming that the communication systems are functioning properly.

Click here [INFO](#)

- Before replacing the certification ECU (smart key ECU assembly) or main body ECU (multiplex network body ECU), refer to Precaution.

Click here [INFO](#)

- After repair, confirm that no DTCs are output.

## PROCEDURE

### 1. CHECK FOR DTC

(a) Check for DTCs.

#### Body Electrical > Vehicle Proximity Notification System > Trouble Codes

RESULT	PROCEED TO
B135013 and B135019 are not output	A
B135013 and B135019 are output	B

**B**  **GO TO ACOUSTIC VEHICLE ALERTING SYSTEM** [INFO](#)

**A**



### 2. CHECK CUSTOMIZE SETTING (WIRELESS BUZZER RESPONSE FUNCTION)

(a) Read the customize setting according to the display on the GTS.

#### Wireless Door Lock

TESTER DISPLAY	DESCRIPTION	DEFAULT	SETTING	ECU
Wireless Buzzer Response Function	Wireless buzzer response	Enable	\$00:Disable,\$01:Enable	Main body ECU (multiplex network body ECU)

RESULT	PROCEED TO
"Enable" is displayed	A

RESULT	PROCEED TO
"Disable" is displayed	B

**B** ► **PERFORM CUSTOMIZE SETTING**

**A**



<b>3.</b>	<b>CHECK WIRELESS DOOR LOCK CONTROL SYSTEM</b>
-----------	--

(a) Check that the function operates normally.

Click here [INFO](#)

RESULT	PROCEED TO
Wireless door lock function operates normally	A
Wireless door lock function does not operate normally	B

**B** ► **GO TO WIRELESS DOOR LOCK CONTROL SYSTEM**

**A**



<b>4.</b>	<b>READ VALUE USING GTS (EACH UNLOCK DETECTION SWITCH)</b>
-----------	--

(a) Read the Data List according to the display on the GTS.

**Body Electrical > Main Body > Data List**

TESTER DISPLAY	MEASUREMENT ITEM	RANGE	NORMAL CONDITION	DIAGNOSTIC NOTE
FR Door Lock Position Switch Status	Front door RH unlock detection switch signal	Unlock or Lock	Unlock: Front door RH unlocked Lock: Front door RH locked	-
FL Door Lock Position Switch Status	Front door LH unlock detection switch signal	Unlock or Lock	Unlock: Front door LH unlocked	-

TESTER DISPLAY	MEASUREMENT ITEM	RANGE	NORMAL CONDITION	DIAGNOSTIC NOTE
			Lock: Front door LH locked	
RR Door Lock Position Switch Status	Rear door RH unlock detection switch signal	Unlock or Lock	Unlock: Rear door RH locked Lock: Rear door RH unlocked	-
RL Door Lock Position Switch Status	Rear door LH unlock detection switch signal	Unlock or Lock	Unlock: Rear door LH locked Lock: Rear door LH unlocked	-

**Body Electrical > Main Body > Data List**

TESTER DISPLAY
FR Door Lock Position Switch Status
FL Door Lock Position Switch Status
RR Door Lock Position Switch Status
RL Door Lock Position Switch Status

OK:

The GTS display changes correctly in response to the lock/unlock operation.

**OK** ► **REPLACE CERTIFICATION ECU (SMART KEY ECU ASSEMBLY)** [INFO](#)

**NG** ► **GO TO LIGHTING SYSTEM (Proceed to Door Unlock Detection Switch Circuit)**

