

Last Modified: 12-04-2024	6.11:8.1.0	Doc ID: RM10000002C040
Model Year Start: 2023	Model: Prius Prime	Prod Date Range: [03/2023 -]
Title: THEFT DETERRENT / KEYLESS ENTRY: ID CODE BOX: REMOVAL; 2023 - 2024 MY Prius Prius Prime [03/2023 -]		

REMOVAL

CAUTION / NOTICE / HINT

The necessary procedures (adjustment, calibration, initialization or registration) that must be performed after parts are removed and installed, or replaced during ID code box (immobilizer code ECU) removal/installation are shown below.

Necessary Procedure After Parts Removed/Installed/Replaced

REPLACED PART OR PERFORMED PROCEDURE	NECESSARY PROCEDURE	EFFECT/INOPERATIVE FUNCTION WHEN NECESSARY PROCEDURE NOT PERFORMED	LINK
ID code box (immobilizer code ECU)	Code registration	<ul style="list-style-type: none"> • Wireless Door Lock Control System • Smart Key System (for Entry function) • Smart Key System (for Start function) • Hybrid control system cannot be started • Digital Key System • Remote Control Function 	INFO
w/ Occupant Classification System: Front passenger seat*1	Zero point calibration (Occupant classification system)	<ul style="list-style-type: none"> • Occupant Classification System • Passenger airbag ON/OFF indicator • Airbag System (Front passenger side) • Seat Belt Warning System (Front passenger) 	INFO
<ul style="list-style-type: none"> • No. 1 air conditioning radiator damper servo sub-assembly • No. 1 blower damper servo sub-assembly • Cooling electric expansion valve 	<ul style="list-style-type: none"> • Servo motor initialization (Air Conditioning System) • Expansion valve initialization (Air Conditioning System)*2 	DTCs are stored	for HEV Model: INFO for PHEV Model: INFO
*1: Even when not replacing the part, it is necessary to perform the specified necessary procedures after installation. *2: for PHEV Model			

REPLACED PART OR PERFORMED PROCEDURE	NECESSARY PROCEDURE	EFFECT/INOPERATIVE FUNCTION WHEN NECESSARY PROCEDURE NOT PERFORMED	LINK
(cooler expansion valve)*2 <ul style="list-style-type: none"> • Heating electric expansion valve (magnet valve assembly)*2 			
*1: Even when not replacing the part, it is necessary to perform the specified necessary procedures after installation. *2: for PHEV Model			

NOTICE:

After turning the ignition switch off, waiting time may be required before disconnecting the cable from the negative (-) auxiliary battery terminal.

Click here [INFO](#)

HINT:

When the cable is disconnected/reconnected to the auxiliary battery terminal, systems temporarily stop operating. However, each system has a function that completes learning the first time the system is used.

Items for which learning is completed by driving the vehicle

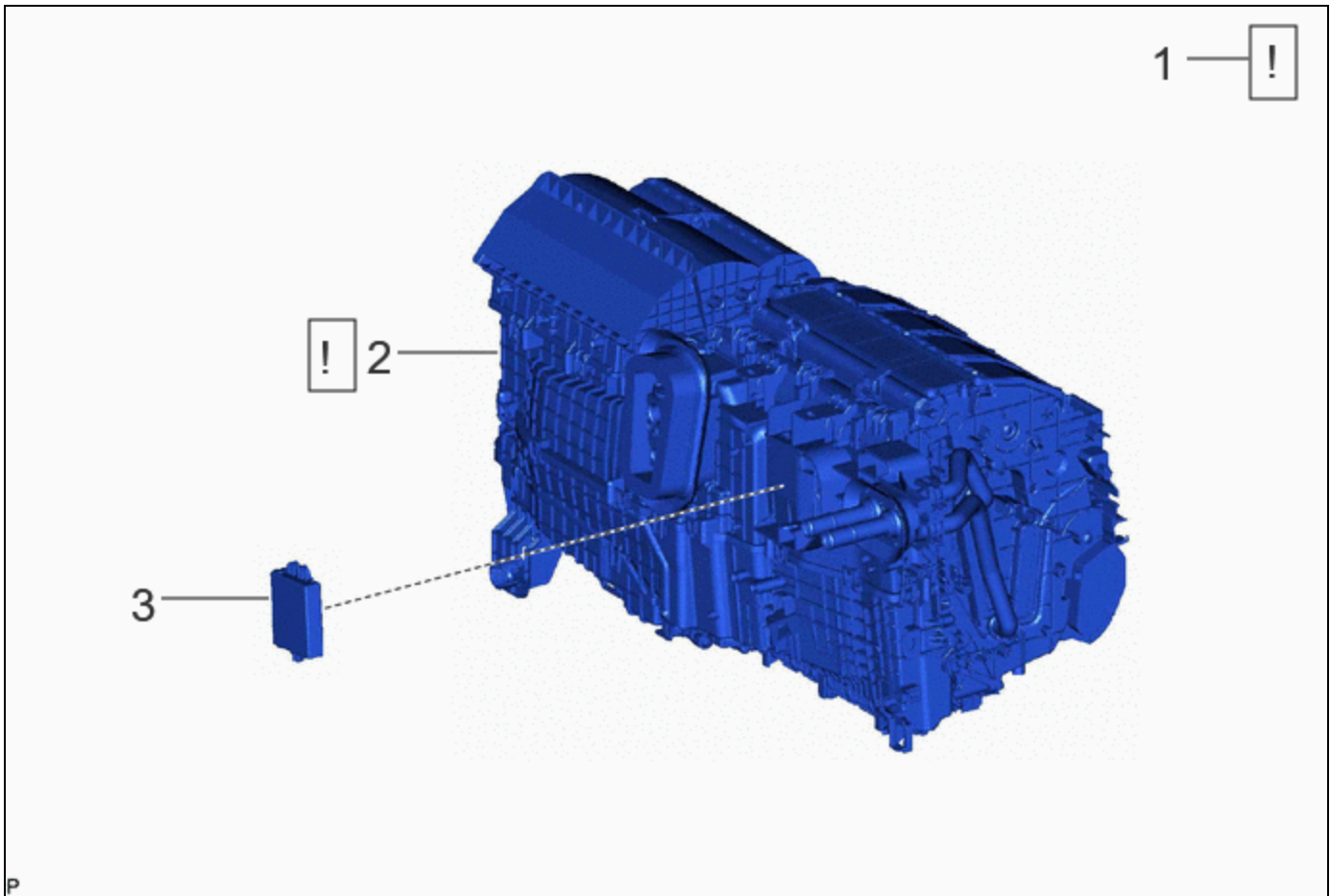
EFFECT/INOPERATIVE FUNCTION WHEN NECESSARY PROCEDURES ARE NOT PERFORMED	NECESSARY PROCEDURES	LINK
Front Camera System	Drive the vehicle straight ahead at 35 km/h (22 mph) or more for 5 second or more.	INFO

Items for which learning is completed by operating the vehicle normally

EFFECT/INOPERATIVE FUNCTION WHEN NECESSARY PROCEDURES ARE NOT PERFORMED	NECESSARY PROCEDURES	LINK
Power Door Lock Control System*1 <ul style="list-style-type: none"> ◦ Back door opener 	Perform door unlock operation with door control switch or electrical key transmitter sub-assembly switch.	INFO
Power Back Door System*2	Reset back door close position	INFO
Air Conditioning System	for HEV Model: After the ignition switch is turned to ON, the servo motor standard position is recognized. for PHEV Model: After the ignition switch is turned to ON, the servo motor and expansion valve standard position is recognized.	-
*1: w/o Power Back Door System *2: w/ Power Back Door System		

CAUTION / NOTICE / HINT

COMPONENTS (REMOVAL)

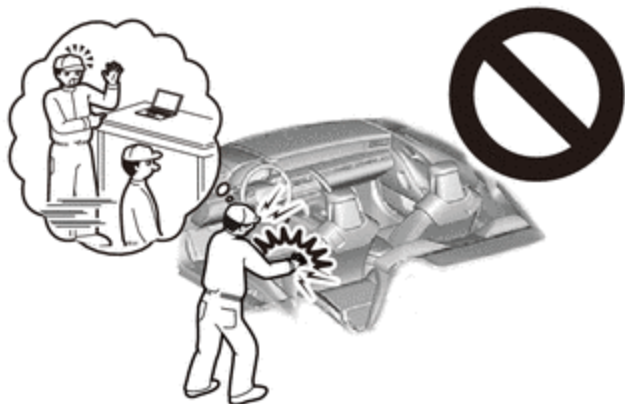


PROCEDURE		PART NAME CODE			
1	PRECAUTION	-	INFO	-	-
2	AIR CONDITIONER UNIT ASSEMBLY	-	INFO	-	-
3	ID CODE BOX (IMMOBILISER CODE ECU)	89784	-	-	-

PROCEDURE

1. PRECAUTION

	<p>CAUTION: Be sure to read precaution thoroughly before servicing.</p> <p>Click here</p>
--	--



Click here [INFO](#)

NOTICE:

After turning the ignition switch off, waiting time may be required before disconnecting the cable from the negative (-) auxiliary battery terminal.

Click here

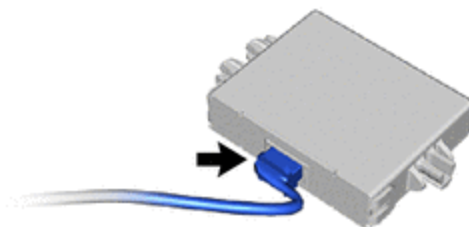
Click here [INFO](#)

2. REMOVE AIR CONDITIONER UNIT ASSEMBLY



Click here [INFO](#)

3. REMOVE ID CODE BOX (IMMOBILISER CODE ECU)



0

