

Last Modified: 12-04-2024	6.11:8.1.0	Doc ID: RM1000000290CF
Model Year Start: 2023	Model: Prius Prime	Prod Date Range: [12/2022 -]
Title: THEFT DETERRENT / KEYLESS ENTRY: DIGITAL KEY SYSTEM: The Operation Range of the Power Source Switching Function has Decreased; 2023 - 2024 MY Prius Prius Prime [12/2022 -]		

The Operation Range of the Power Source Switching Function has Decreased

DESCRIPTION

When the power source mode does not change even after removing the cause of the malfunction which is not related to vehicle settings and vehicle components, the BLE indoor digital key receiver assembly or digital key may be malfunctioning.

CAUTION / NOTICE / HINT

NOTICE:

- Before performing troubleshooting of the vehicle, refer to Precautions for Inspection or Registration to check for a cause of the malfunction which is not related to vehicle settings or vehicle components.

Click here [INFO](#)

- Perform troubleshooting with the electrical key transmitter sub-assembly not inside the detection area of the smart key system.
- If the power source does not change, refer to precautions regarding the in-vehicle operating range and make sure the digital key is within the in-vehicle operating range.

Click here [INFO](#)

- Make sure that no DTCs are output. If any DTCs are output, proceed to Diagnostic Trouble Code Chart.
- If the digital key system has been disabled, enable the system before performing troubleshooting.

Click here [INFO](#)

- Before replacing the BLE indoor digital key receiver assembly, refer to Service Registration.

Click here [INFO](#)

PROCEDURE

1. CHECK POWER SOURCE MODE CHANGING FUNCTION

- (a) Hold the digital key above the center console near the vehicle interior BLE digital key receiver and operate the power switch.

NOTICE:

- Make sure there is no electronic device that outputs high-voltage or noise inside or around the vehicle.
- Make sure that the digital key is not covered by or touching a metal object.

- (b) While moving the digital device closer to and farther away from the center console while repeatedly changing the power source mode, check the operating range.

OK:

The range at which the power source mode can be changed is the same as the default.

NG  **GO TO STEP 3**

OK**2. CAUSE ANALYSIS**

(a) Using the GTS, check for Vehicle Control History (RoB).

Body Electrical > Smart Key > Utility



(b) Perform cause analysis.

Click here [INFO](#)

(c) Take appropriate action in accordance with the result of the cause analysis.

NEXT **END**

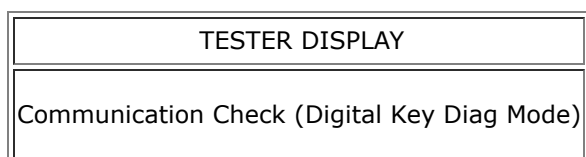
3. CHECK DIGITAL KEY DIAGNOSTIC MODE (FRONT FLOOR)**NOTICE:**

With only one digital key connected to BLE, perform inspection in digital key diagnostic mode.

(a) Check the BLE indoor digital key receiver assembly in key diagnostic mode.

(1) Using the GTS, select Body Electrical / Smart Key / Utility / Communication Check (Digital Key Diag Mode) / Digital key engine/power start area

Body Electrical > Smart Key > Utility



(2) While holding the digital key in the in-vehicle operating range, check that the wireless buzzer sounds

NOTICE:

- Make sure there is no electronic device that outputs high-voltage or noise inside or around the vehicle.
- Make sure that the digital key is not covered by or touching a metal object.

(3) While moving the digital device closer to and farther away from the center console, check the wireless buzzer sound range.

RESULT	PROCEED TO
The wireless buzzer sounds when in an operating range smaller than the default of the power source mode changing function	A
Wireless buzzer does not sound	B

B  **GO TO OTHER PROBLEM**

A



4.	CHECK ANOTHER DIGITAL KEY
-----------	----------------------------------

(a) Check if there is digital key available that is already registered to the vehicle.

RESULT	PROCEED TO
Another registered digital key is not available	A
Another registered digital key is available	B

B  **GO TO STEP 7**

A



5.	CHECK USING ANOTHER VEHICLE
-----------	------------------------------------

(a) Check if another vehicle equipped with digital key system is available

RESULT	PROCEED TO
Vehicle equipped with digital key system not available	A
Vehicle equipped with digital key system available	B

B  **GO TO STEP 9**

A**6. REGISTER NEW SHARE KEY**

(a) Register a share key.

HINT:

Refer to the digital key application.

NEXT**7. CHECK POWER SOURCE MODE CHANGING FUNCTION**

(a) Hold a registered digital key above the center console near the vehicle interior BLE digital key receiver and operate the power switch.

NOTICE:

- Make sure there is no electronic device that outputs high-voltage or noise inside or around the vehicle.
- Make sure that the digital key is not covered by or touching a metal object.

(b) While moving the digital device closer to and farther away from the center console while repeatedly changing the power source mode, check the operating range.

OK:

The range at which the power source mode can be changed is the same as the default.

OK **END (PERFORM TROUBLESHOOTING ON ORIGINAL DIGITAL KEY)**

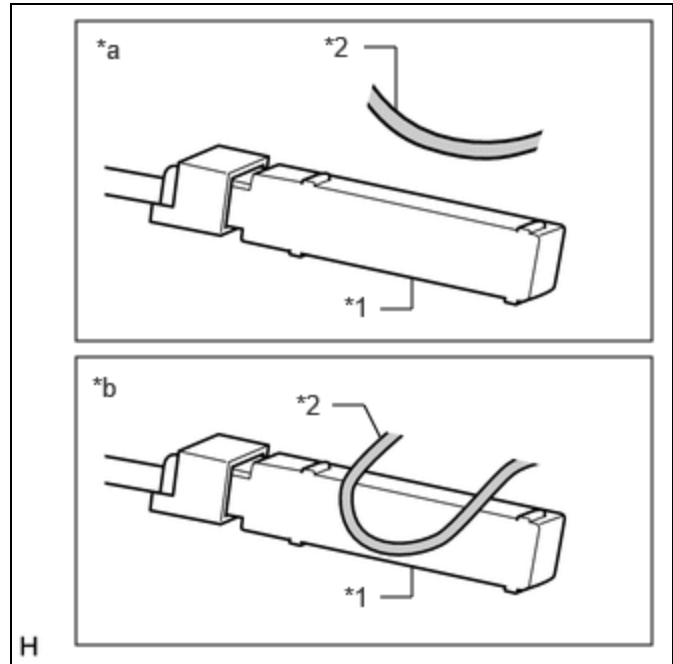
NG**8. CHECK THE INSTALLATION CONDITION OF BLE INDOOR DIGITAL KEY RECEIVER ASSEMBLY**

(a) Check that the wire harness is not contacting or hanging near the BLE indoor digital key receiver assembly.

Click here

NOTICE:

If the wire harness is contacting or hanging near the BLE indoor digital key receiver assembly, the vehicle interior digital key detection range will change.



*1	BLE Indoor Digital Key Receiver Assembly
*2	Wire Harness
*a	Normal
*b	Abnormal

(b) Install BLE indoor digital key receiver assembly properly.

Click here [INFO](#)

RESULT	PROCEED TO
OK	A
NG (Wire harness is contacting or hanging)	B
NG (Not installed correctly)	C

- A** ▶ REPLACE BLE INDOOR DIGITAL KEY RECEIVER ASSEMBLY [INFO](#)
- B** ▶ END (ADJUST WIRE HARNESS POSITION)
- C** ▶ END (INSTALL THE BLE INDOOR DIGITAL KEY RECEIVER ASSEMBLY TO THE STANDARD LOCATION)

9.	REGISTER NEW SHARE KEY
-----------	-------------------------------

- (a) Register a share key that did not operate correctly within the default operating range to another vehicle equipped with a digital key system.

HINT:

Refer to the digital key application.

NEXT**10. CHECK POWER SOURCE MODE CHANGING FUNCTION**

- (a) Hold a registered digital key above the center console near the vehicle interior BLE digital key receiver and operate the power switch.

NOTICE:

- Make sure there is no electronic device that outputs high-voltage or noise inside or around the vehicle.
- Make sure that the digital key is not covered by or touching a metal object.

- (b) While moving the digital device closer to and farther away from the center console while repeatedly changing the power source mode, check the operating range.

OK:

The range at which the power source mode can be changed is the same as the default.

OK ► **GO TO STEP 8**

NG ► **END (PERFORM TROUBLESHOOTING ON ORIGINAL DIGITAL KEY)**

