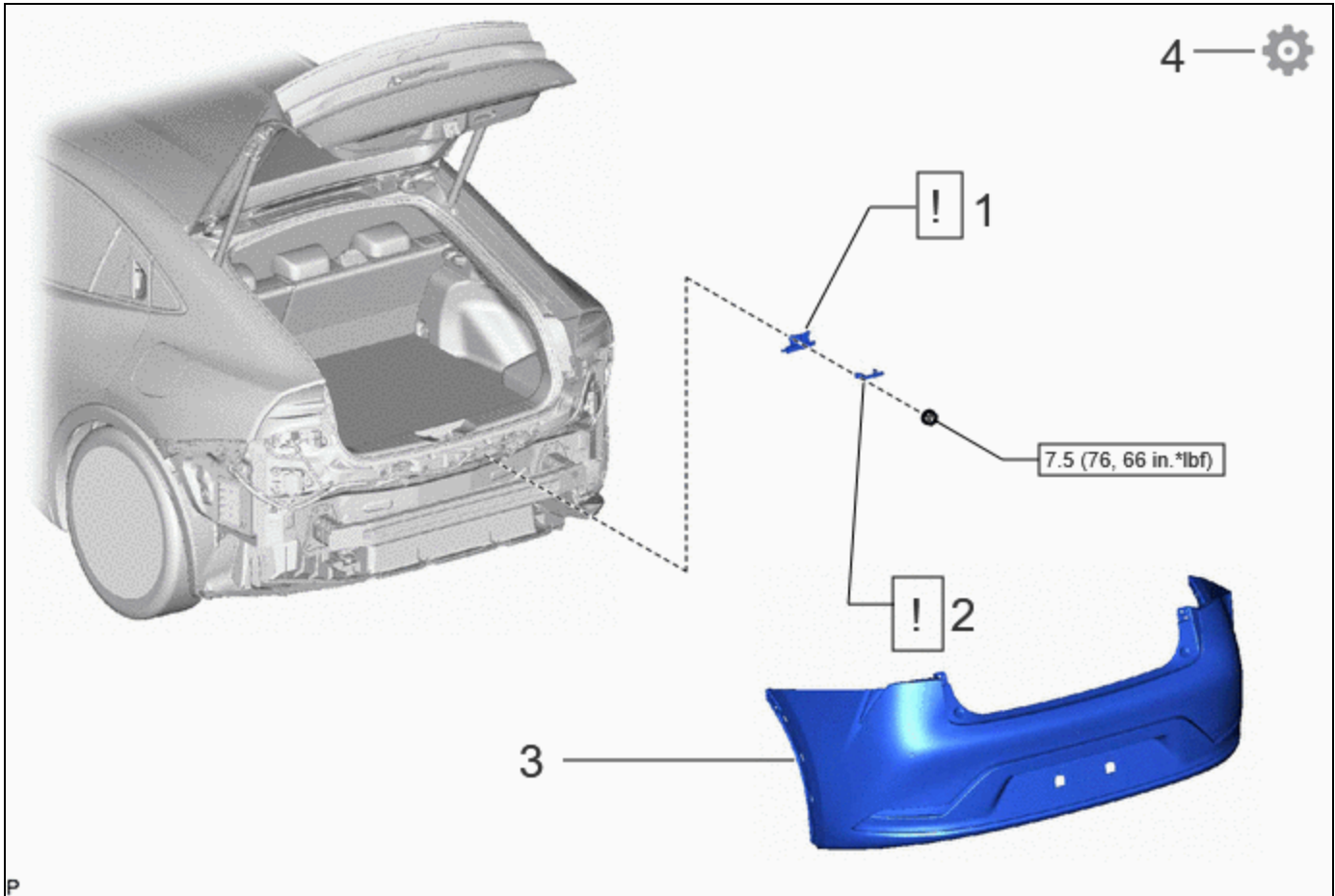


Last Modified: 12-04-2024	6.11:8.1.0	Doc ID: RM10000000290D7
Model Year Start: 2023	Model: Prius Prime	Prod Date Range: [12/2022 -]
Title: THEFT DETERRENT / KEYLESS ENTRY: DIGITAL KEY RECEIVER (for Outside Luggage Compartment): INSTALLATION; 2023 - 2024 MY Prius Prius Prime [12/2022 -]		

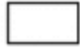
INSTALLATION

CAUTION / NOTICE / HINT

COMPONENTS (INSTALLATION)



	PROCEDURE	PART NAME CODE	!	📄	⚙️
1	BLE LUGGAGE DIGITAL KEY RECEIVER ASSEMBLY	890F0	INFO	-	-
2	ELECTRICAL KEY ANTENNA	89997	INFO	-	-
3	REAR BUMPER ASSEMBLY	-	-	-	-
4	REGISTRATION DIGITAL KEY ECU	-	-	-	INFO

	<p>N*m (kgf*cm, ft.*lbf): Specified torque</p>	-	-
---	--	---	---

PROCEDURE


1. INSTALL BLE LUGGAGE DIGITAL KEY RECEIVER ASSEMBLY

	<p>NOTICE:</p> <p>Be careful when installing the digital key receiver. If the digital key receiver is dropped, replace it with a new one.</p>
---	--

Torque:

7.5 N·m {76 kgf·cm, 66 in·lbf}

2. INSTALL ELECTRICAL KEY ANTENNA

	<p>Click here INFO</p>
---	--

3. INSTALL REAR BUMPER ASSEMBLY

Click here [INFO](#)

4. REGISTRATION DIGITAL KEY SYSTEM

Click here [INFO](#)

