

<b>Last Modified:</b> 12-04-2024	6.11:8.1.0	<b>Doc ID:</b> RM10000002C01C
<b>Model Year Start:</b> 2023	<b>Model:</b> Prius Prime	<b>Prod Date Range:</b> [03/2023 - ]
<b>Title:</b> THEFT DETERRENT / KEYLESS ENTRY: DIGITAL KEY RECEIVER (for Front Floor): REMOVAL; 2023 - 2024 MY Prius Prius Prime [03/2023 - ]		

## REMOVAL

## CAUTION / NOTICE / HINT

The necessary procedures (adjustment, calibration, initialization or registration) that must be performed after parts are removed and installed, or replaced during ble indoor digital key receiver assembly removal/installation are shown below.

### **Necessary Procedure After Parts Removed/Installed/Replaced**

REPLACED PART OR PERFORMED PROCEDURE	NECESSARY PROCEDURE	EFFECT/INOPERATIVE FUNCTION WHEN NECESSARY PROCEDURE NOT PERFORMED	LINK
BLE indoor digital key receiver assembly	Code registration	<ul style="list-style-type: none"> <li>• Wireless Door Lock Control System</li> <li>• Smart Key System (for Entry function)</li> <li>• Smart Key System (for Start function)</li> <li>• Hybrid control system cannot be started</li> <li>• Digital Key System</li> <li>• Remote Control Function</li> </ul>	<a href="#">INFO</a>

### **NOTICE:**

After turning the ignition switch off, waiting time may be required before disconnecting the cable from the negative (-) auxiliary battery terminal.

Click here [INFO](#)

### **HINT:**

When the cable is disconnected/reconnected to the auxiliary battery terminal, systems temporarily stop operating. However, each system has a function that completes learning the first time the system is used.

### **Items for which learning is completed by driving the vehicle**

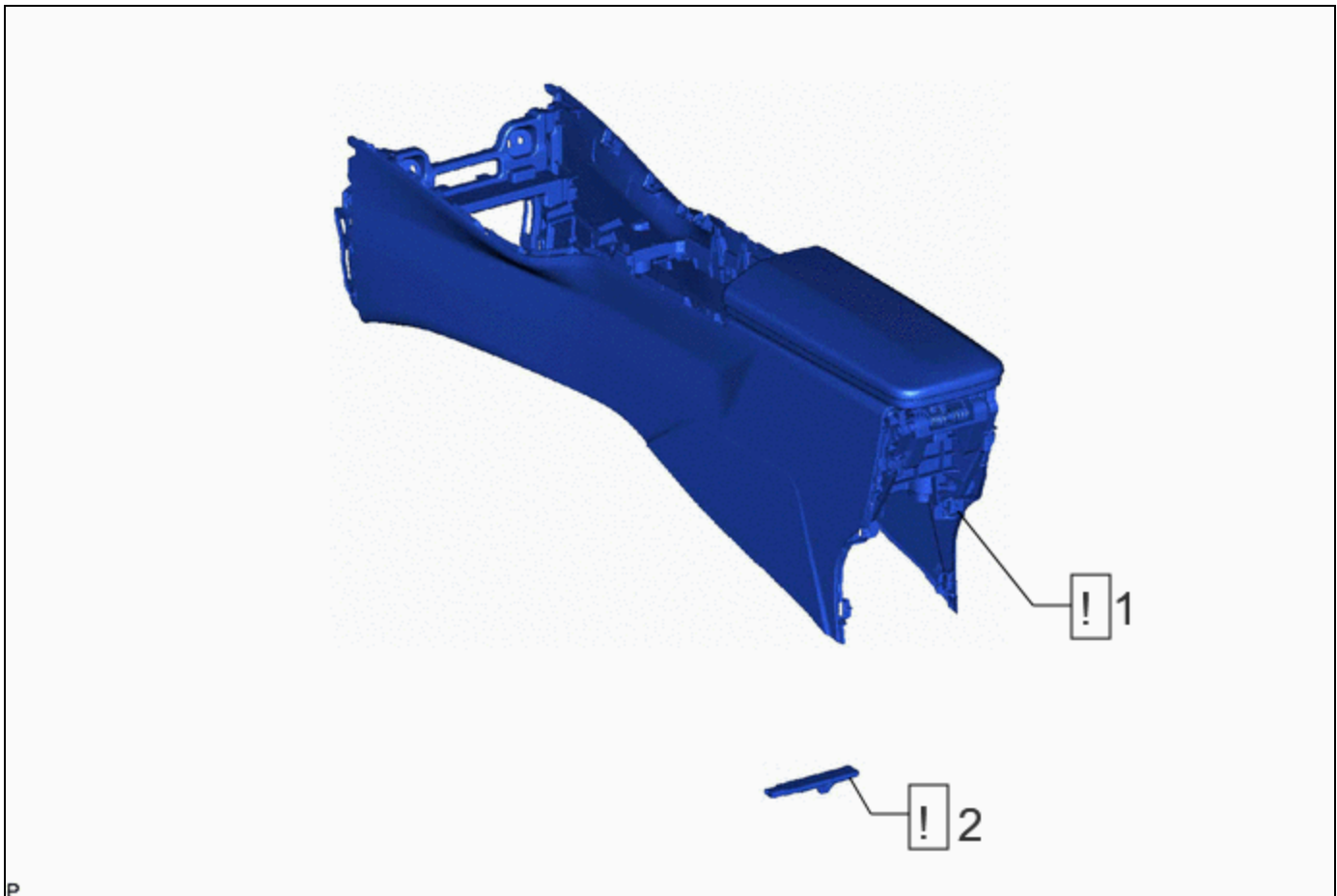
EFFECT/INOPERATIVE FUNCTION WHEN NECESSARY PROCEDURES ARE NOT PERFORMED	NECESSARY PROCEDURES	LINK
Front Camera System	Drive the vehicle straight ahead at 35 km/h (22 mph) or more for 5 second or more.	<a href="#">INFO</a>




### **Items for which learning is completed by operating the vehicle normally**

EFFECT/INOPERATIVE FUNCTION WHEN NECESSARY PROCEDURES ARE NOT PERFORMED	NECESSARY PROCEDURES	LINK
Power Door Lock Control System*1 ◦ Back door opener	Perform door unlock operation with door control switch or electrical key transmitter sub-assembly switch.	<a href="#">INFO</a>
Power Back Door System*2	Reset back door close position	<a href="#">INFO</a>
Air Conditioning System	<p><b>for HEV Model:</b>                      After the ignition switch is turned to ON, the servo motor standard position is recognized.</p> <p><b>for PHEV Model:</b>                      After the ignition switch is turned to ON, the servo motor and expansion valve standard position is recognized.</p>	-
<p>*1: w/o Power Back Door System</p> <p>*2: w/ Power Back Door System</p>		

## CAUTION / NOTICE / HINT


### COMPONENTS (REMOVAL)



	PROCEDURE	PART NAME CODE			
1	REAR CONSOLE BOX ASSEMBLY	58910C	<a href="#">INFO</a>	-	-
2	BLE INDOOR DIGITAL KEY RECEIVER ASSEMBLY	890G0	<a href="#">INFO</a>	-	-

## PROCEDURE

### 1. REMOVE REAR CONSOLE BOX ASSEMBLY

	Click here <a href="#">INFO</a>
---	---------------------------------

### 2. REMOVE BLE INDOOR DIGITAL KEY RECEIVER ASSEMBLY

	<p><b>NOTICE:</b></p> <p>Be careful when removing the digital key receiver. If the digital key receiver is dropped, replace it with a new one.</p>
---	--

