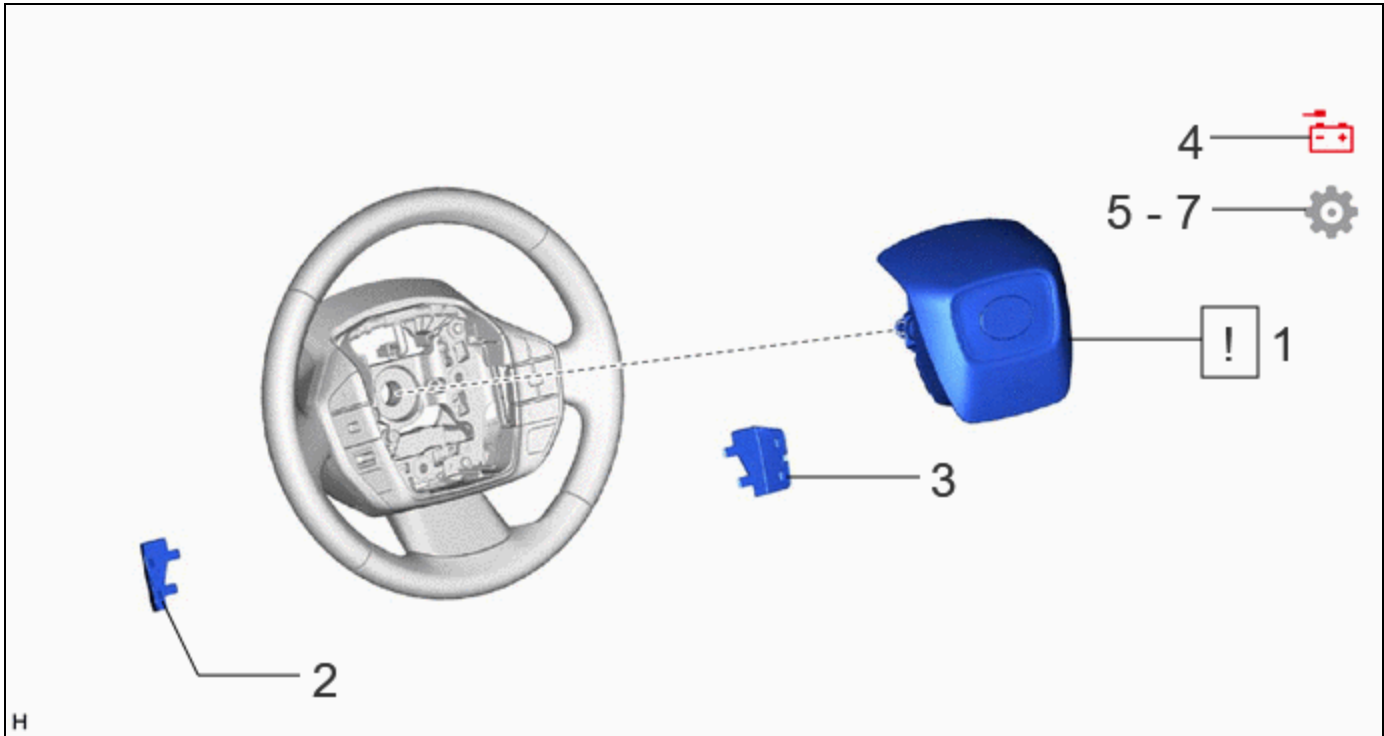


Last Modified: 12-04-2024	6.11:8.1.0	Doc ID: RM1000000028UZA
Model Year Start: 2023	Model: Prius Prime	Prod Date Range: [12/2022 -]
Title: SUPPLEMENTAL RESTRAINT SYSTEMS: STEERING PAD: INSTALLATION; 2023 - 2024 MY Prius Prius Prime [12/2022 -]		

INSTALLATION

CAUTION / NOTICE / HINT

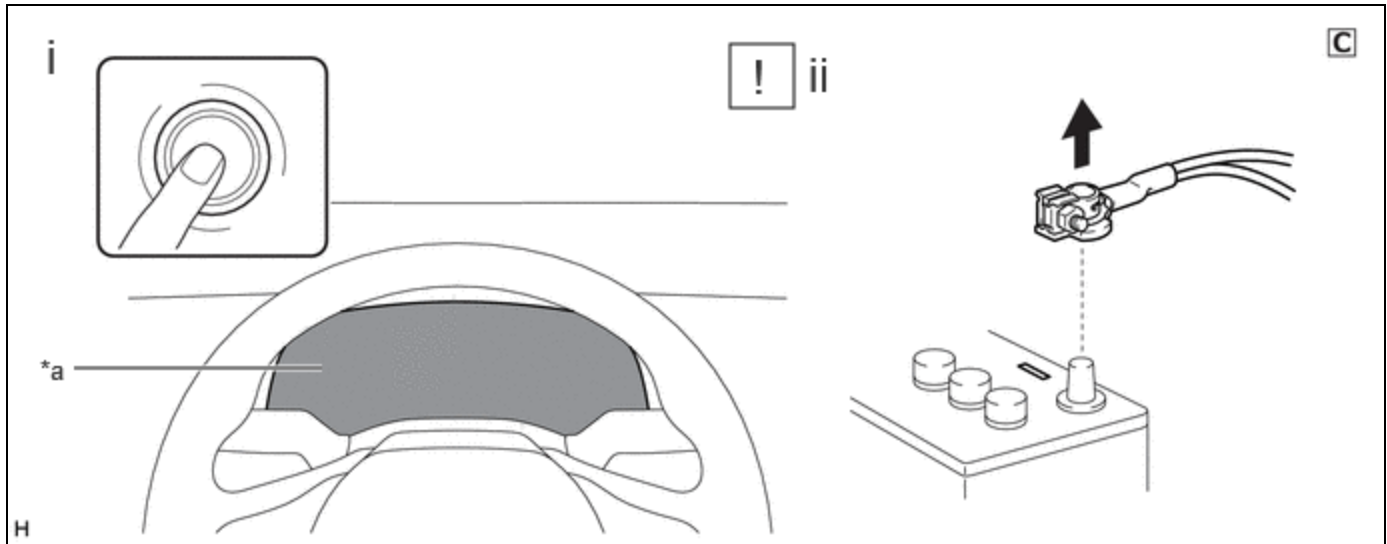
COMPONENTS (INSTALLATION)



	PROCEDURE	PART NAME CODE			
1	HORN BUTTON ASSEMBLY	45130	INFO	-	-
2	LOWER NO. 3 STEERING WHEEL COVER	45187	-	-	-
3	LOWER NO. 2 STEERING WHEEL COVER	45186	-	-	-
4	CONNECT CABLE TO NEGATIVE AUXILIARY BATTERY TERMINAL	-	INFO	-	-
5	INSPECT HORN BUTTON ASSEMBLY	45130	-	-	INFO
6	INSPECT SRS WARNING LIGHT	-	-	-	INFO
7	INITIALIZATION AFTER RECONNECTING AUXILIARY BATTERY TERMINAL	-	-	-	INFO

PROCEDURE

1. INSTALL HORN BUTTON ASSEMBLY



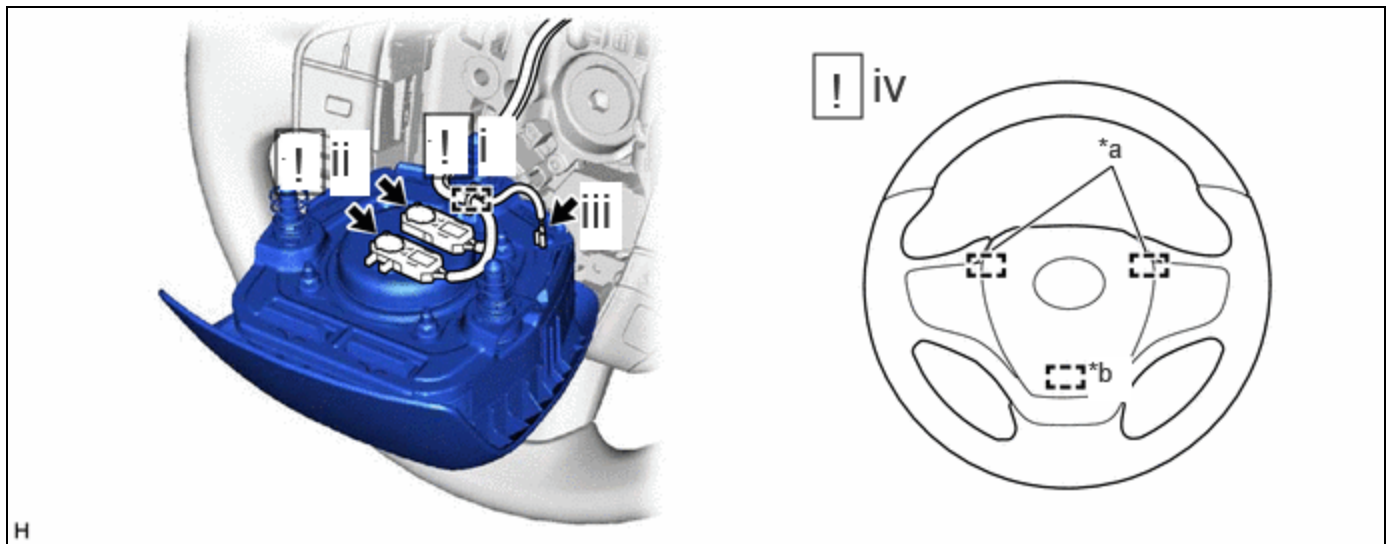
*a	Illumination off	-	-
----	------------------	---	---

- (1) Check that the ignition switch is off.
- (2) Check that the cable is disconnected from the negative (-) auxiliary battery terminal.

CAUTION:

Wait at least 60 seconds after disconnecting the cable from the negative (-) auxiliary battery terminal to disable the SRS system.

(b) w/ Occupant Classification System:



*a	Upper Pin	*b	Lower Pin
----	-----------	----	-----------

- (1) Engage the wire harness clamp.

HINT:

Be sure to engage the wire harness clamp until it is locked.

- (2) Connect the 2 airbag connectors to the horn button assembly.

NOTICE:

- When connecting any airbag connector, take care not to damage the airbag wire harness.

- Be sure to connect the connectors to each corresponding color.

HINT:

Refer to [How to Connect or Disconnect Airbag Connector](#).

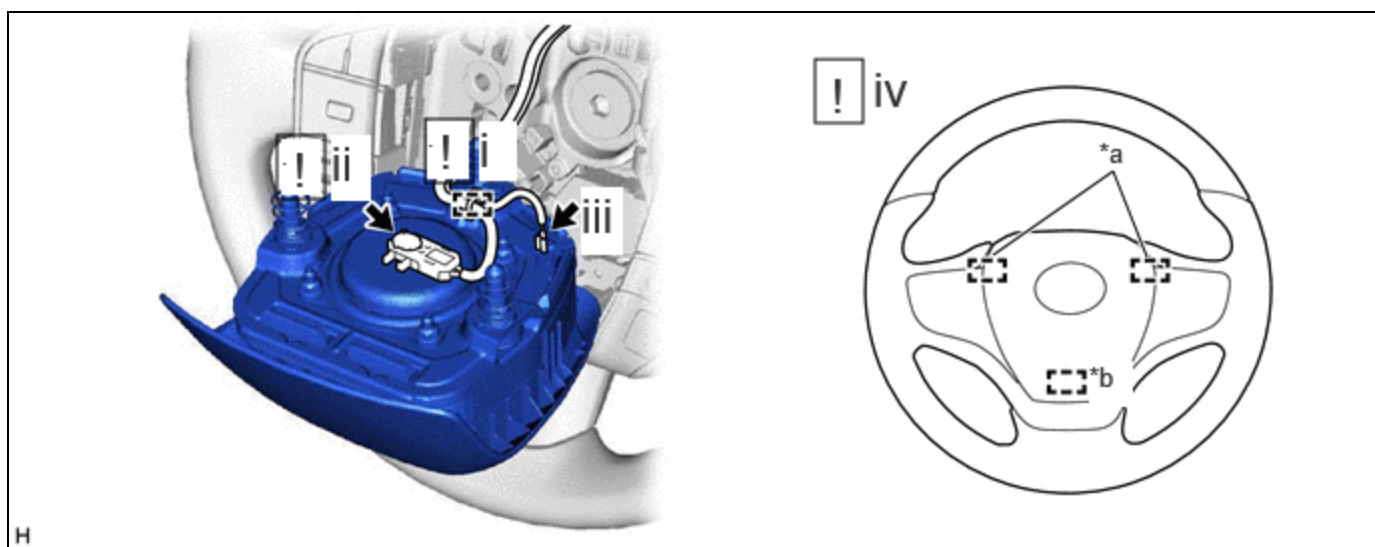
Click here [INFO](#)

- (3) Connect the horn connector to the horn button assembly.
- (4) Push the horn button assembly to engage the 3 pins carefully and install the horn button assembly.

NOTICE:

- Make sure that the pins are securely inserted into the steering wheel assembly holes.
- Make sure to engage the 2 upper pins first.
- Make sure that the horn button assembly is securely installed.

(c) w/o Occupant Classification System:



*a	Upper Pin	*b	Lower Pin
----	-----------	----	-----------

- (1) Engage the wire harness clamp.

HINT:

Be sure to engage the wire harness clamp until it is locked.

- (2) Connect the airbag connector to the horn button assembly.

NOTICE:

When connecting any airbag connector, take care not to damage the airbag wire harness.

HINT:

Refer to [How to Connect or Disconnect Airbag Connector](#).

Click here [INFO](#)

- (3) Connect the horn connector to the horn button assembly.
- (4) Push the horn button assembly to engage the 3 pins carefully and install the horn button assembly.

NOTICE:

- Make sure that the pins are securely inserted into the steering wheel assembly holes.
- Make sure to engage the 2 upper pins first.
- Make sure that the horn button assembly is securely installed.

2. INSTALL LOWER NO. 3 STEERING WHEEL COVER

3. INSTALL LOWER NO. 2 STEERING WHEEL COVER

4. CONNECT CABLE TO NEGATIVE AUXILIARY BATTERY TERMINAL

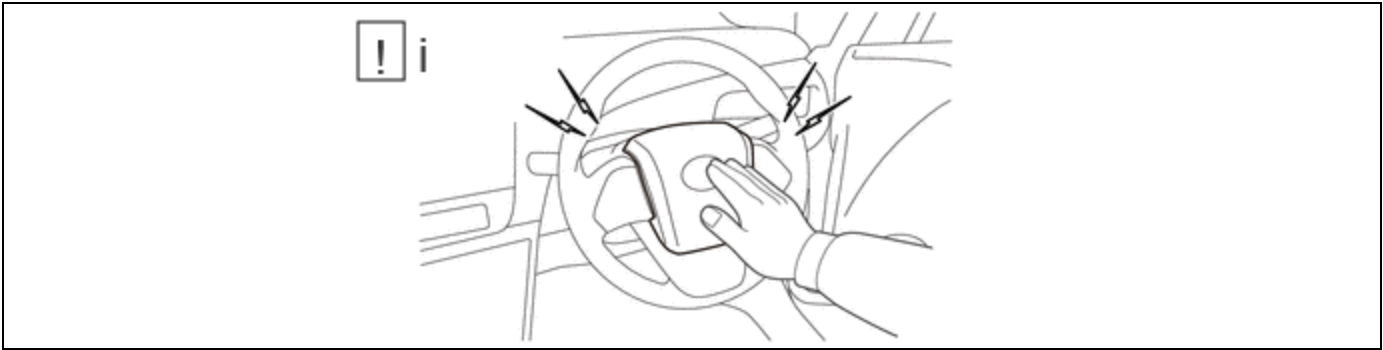
- for M20A-FXS:

Click here [INFO](#)

- for 2ZR-FXE:

Click here [INFO](#)

5. INSPECT HORN BUTTON ASSEMBLY



(1) Make sure that the horn sounds.

If the horn does not sound, inspect the horn system.

Click here [INFO](#)

6. INSPECT SRS WARNING LIGHT

Click here [INFO](#)

7. INITIALIZATION AFTER RECONNECTING AUXILIARY BATTERY TERMINAL

HINT:

When disconnecting and reconnecting the auxiliary battery, there is an automatic learning function that completes learning when the respective system is used.

Click here [INFO](#)

