

Last Modified: 12-04-2024	6.11:8.1.0	Doc ID: RM10000002BJMP
Model Year Start: 2023	Model: Prius Prime	Prod Date Range: [03/2023 -]
Title: SUPPLEMENTAL RESTRAINT SYSTEMS: SIDE AIRBAG SENSOR (for Front Door): REMOVAL; 2023 - 2024 MY Prius Prius Prime [03/2023 -]		

REMOVAL

CAUTION / NOTICE / HINT

The necessary procedures (adjustment, calibration, initialization or registration) that must be performed after parts are removed and installed, or replaced during side airbag pressure sensor removal/installation are shown below.

CAUTION / NOTICE / HINT

HINT:

When the cable is disconnected / reconnected to the auxiliary battery terminal, systems temporarily stop operating. However, each system has a function that completes learning the first time the system is used.

Learning completes when vehicle is driven

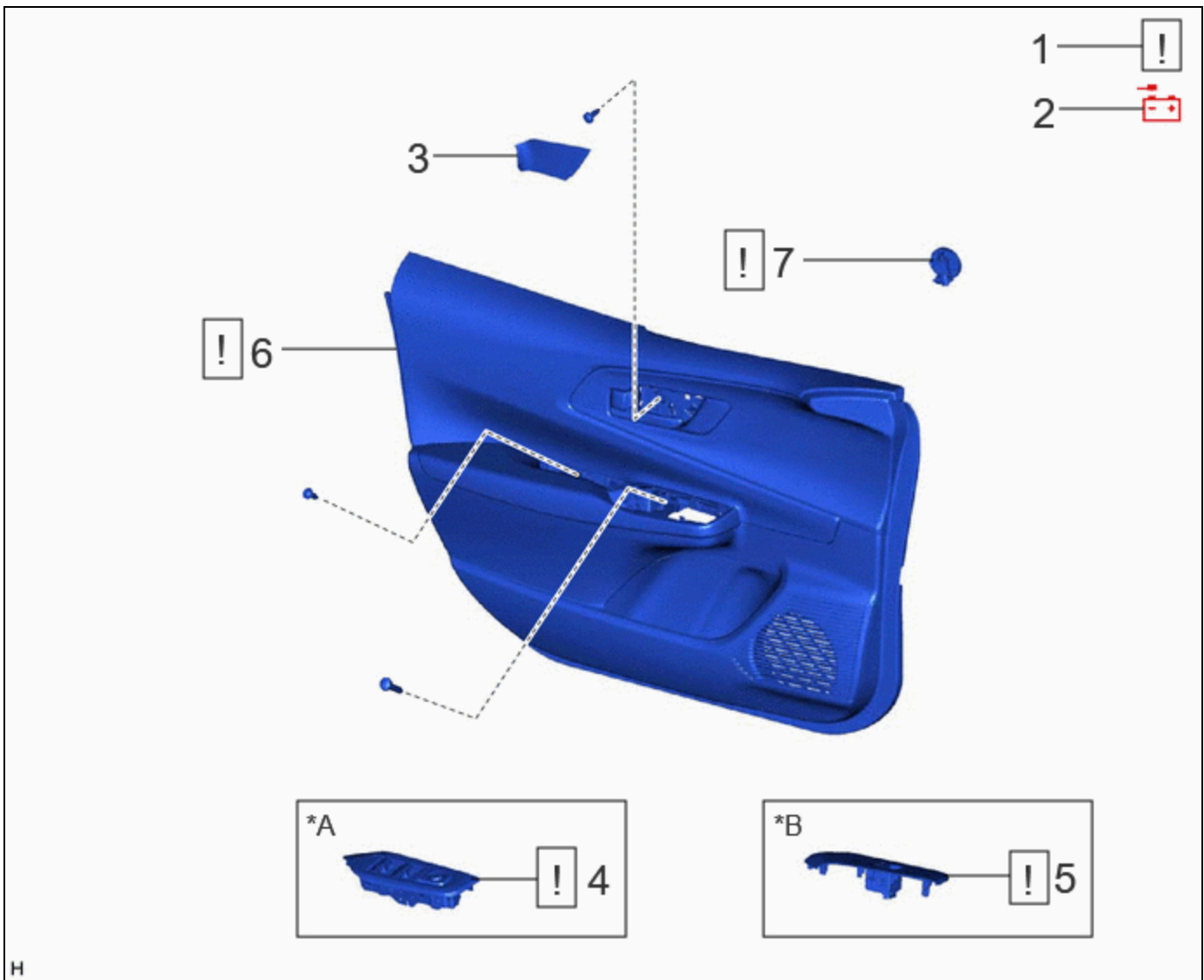
EFFECT/INOPERATIVE FUNCTION WHEN NECESSARY PROCEDURE NOT PERFORMED	NECESSARY PROCEDURE	LINK
Front Camera System	Drive the vehicle straight ahead at 35 km/h (22 mph) or more for 5 seconds or more.	INFO

Learning completes when vehicle is operated normally

EFFECT/INOPERATIVE FUNCTION WHEN NECESSARY PROCEDURE NOT PERFORMED	NECESSARY PROCEDURE	LINK
Power Door Lock Control System*1 <ul style="list-style-type: none"> Back door opener 	Perform door unlock operation with door control switch or electrical key transmitter sub-assembly switch.	INFO
Power Back Door System*2	Reset back door close position	INFO
Air Conditioning System	<p>for HEV Model:</p> <p>After the ignition switch is turned to ON, the servo motor standard position is recognized.</p> <p>for PHEV Model:</p> <p>After the ignition switch is turned to ON, the servo motor and expansion valve standard position is recognized.</p>	-
*1: w/o Power Back Door System		
*2: w/ Power Back Door System		

CAUTION / NOTICE / HINT

COMPONENTS (REMOVAL)



PROCEDURE		PART NAME CODE			
1	PRECAUTION	-	INFO	-	-
2	DISCONNECT CABLE FROM NEGATIVE AUXILIARY BATTERY TERMINAL	-	INFO	-	-
3	FRONT DOOR TRIM UPPER COVER	67782B	-	-	-
4	MULTIPLEX NETWORK MASTER SWITCH ASSEMBLY WITH FRONT DOOR UPPER ARMREST BASE PANEL	-	INFO	-	-
5	POWER WINDOW REGULATOR SWITCH ASSEMBLY WITH FRONT DOOR UPPER ARMREST BASE PANEL	-	INFO	-	-
6	FRONT DOOR TRIM BOARD SUB-ASSEMBLY	67602	INFO	-	-
7	SIDE AIRBAG PRESSURE SENSOR	8983AA	INFO	-	-


*A	for Driver Side	*B	for Front Passenger Side
----	-----------------	----	--------------------------

PROCEDURE

1. PRECAUTION

!

CAUTION:
Be sure to read Precaution thoroughly before servicing.



Click here [INFO](#)

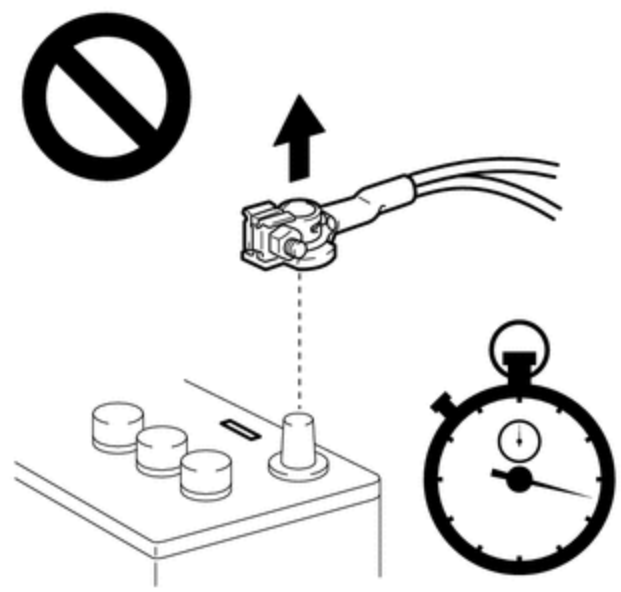
NOTICE:
After the ignition switch is turned off, there may be a waiting time before disconnecting the negative (-) auxiliary battery terminal.

Click here [INFO](#)

2. DISCONNECT CABLE FROM NEGATIVE AUXILIARY BATTERY TERMINAL

!

CAUTION:
Wait at least 60 seconds after disconnecting the cable from the negative (-) auxiliary battery terminal to disable the SRS system.



- for M20A-FXS:

Click here [INFO](#)

- for 2ZR-FXE:

Click here [INFO](#)

3. REMOVE FRONT DOOR TRIM UPPER COVER

Click here [INFO](#)

4. REMOVE MULTIPLEX NETWORK MASTER SWITCH ASSEMBLY WITH FRONT DOOR UPPER ARMREST BASE PANEL (for Driver Side)

	Click here INFO
--	---------------------------------

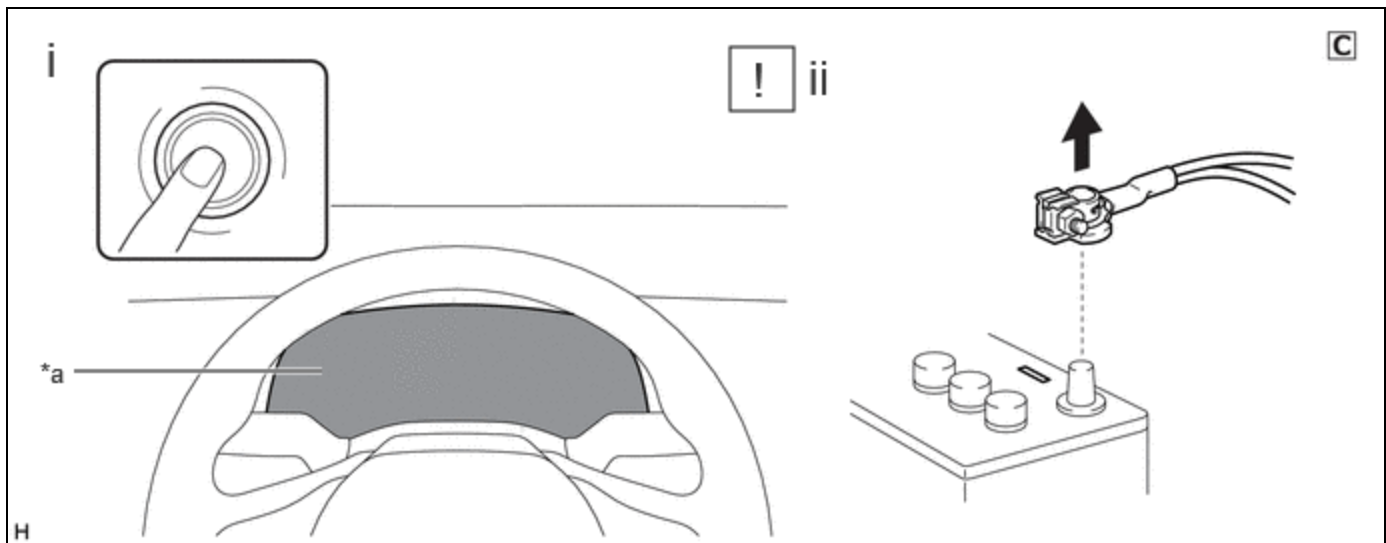
5. REMOVE POWER WINDOW REGULATOR SWITCH ASSEMBLY WITH FRONT DOOR UPPER ARMREST BASE PANEL (for Front Passenger Side)

	Click here INFO
--	---------------------------------

6. REMOVE FRONT DOOR TRIM BOARD SUB-ASSEMBLY

	Click here INFO
--	---------------------------------

7. REMOVE SIDE AIRBAG PRESSURE SENSOR



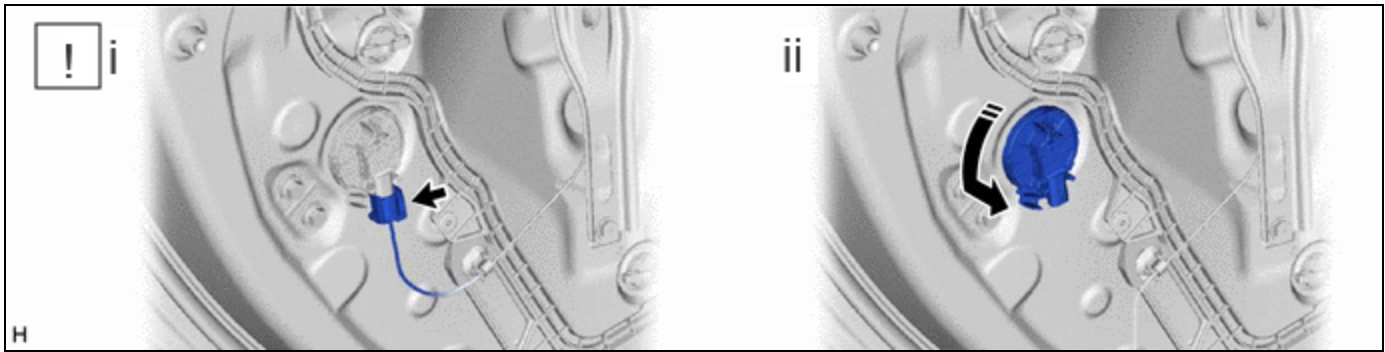
*a	Illumination off	-	-
----	------------------	---	---

(1) Check that the ignition switch is off.

(2) Check that the cable is disconnected from the negative (-) auxiliary battery terminal.

CAUTION:

Wait at least 60 seconds after disconnecting the cable from the negative (-) auxiliary battery terminal to disable the SRS system.



	Remove in this Direction	-	-
--	--------------------------	---	---

(1) Disconnect the connector from the side airbag pressure sensor.

NOTICE:

When disconnecting any airbag connector, take care not to damage the airbag wire harness.

HINT:

Refer to How to Connect or Disconnect Airbag Connector.

Click here [INFO](#)

(2) Remove the side airbag pressure sensor from the front door panel as shown in the illustration.

