

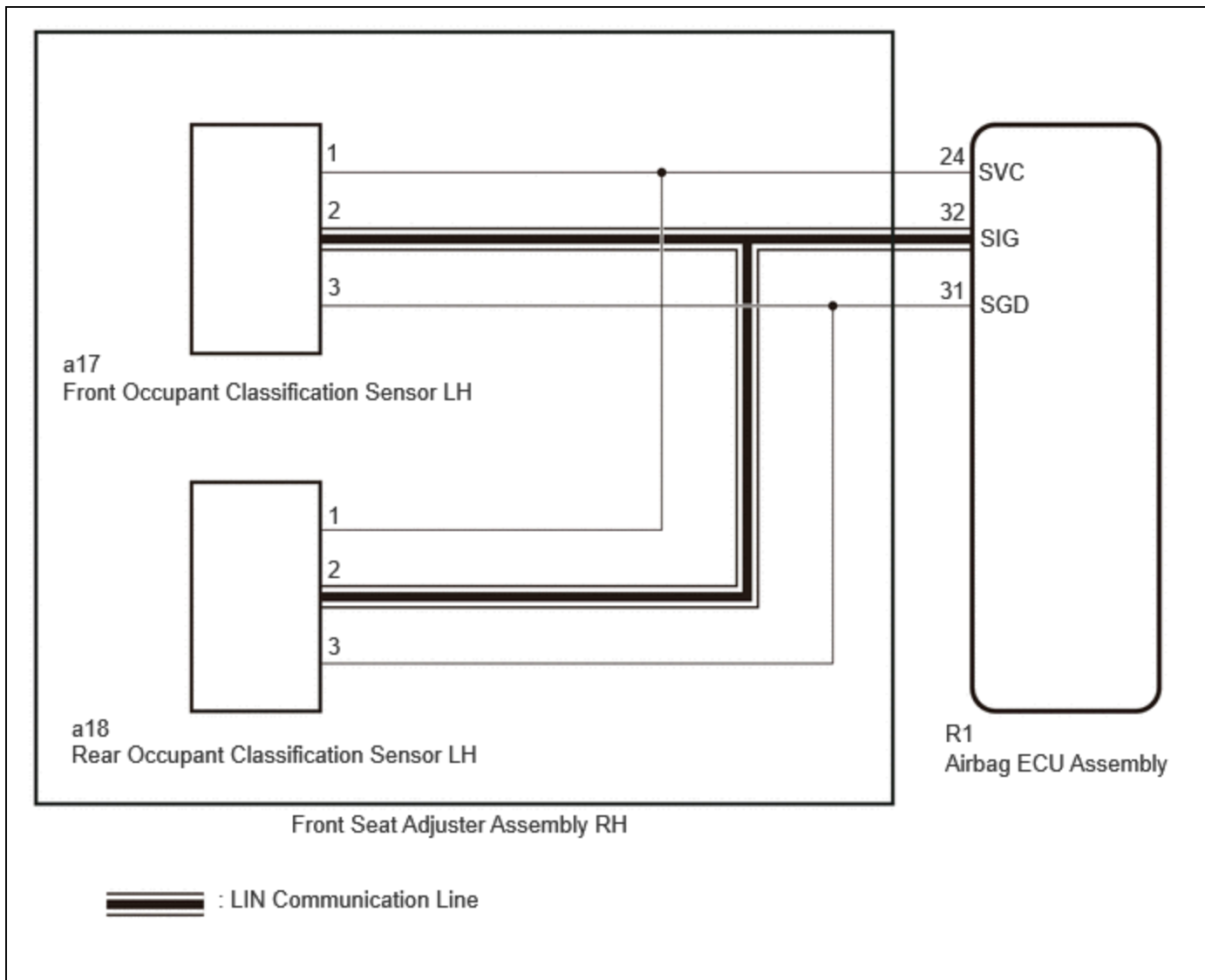
<b>Last Modified:</b> 12-04-2024	6.11:8.1.0	<b>Doc ID:</b> RM100000028UZ5
<b>Model Year Start:</b> 2023	<b>Model:</b> Prius Prime	<b>Prod Date Range:</b> [12/2022 - ]
<b>Title:</b> SUPPLEMENTAL RESTRAINT SYSTEMS: OCCUPANT CLASSIFICATION SYSTEM: B00C287; Passenger Seat Occupant Classification Sensor "C" Missing Message; 2023 - 2024 MY Prius Prius Prime [12/2022 - ]		

<b>DTC</b>	<b>B00C287</b>	<b>Passenger Seat Occupant Classification Sensor "C" Missing Message</b>
------------	----------------	--

## DESCRIPTION

DTC NO.	DETECTION ITEM	DTC DETECTION CONDITION	TROUBLE AREA	DTC OUTPUT FROM	PRIORITY
B00C287	Passenger Seat Occupant Classification Sensor "C" Missing Message	Either of following conditions is met: <ul style="list-style-type: none"> <li>• The airbag ECU assembly detects a line open in the rear occupant classification sensor LH circuit.</li> <li>• Rear occupant classification sensor LH malfunction</li> <li>• Airbag ECU assembly malfunction</li> </ul>	<ul style="list-style-type: none"> <li>• Harness or connector</li> <li>• Front seat adjuster assembly RH (rear occupant classification sensor LH)</li> <li>• Airbag ECU assembly</li> </ul>	SRS Airbag	A

## WIRING DIAGRAM



## CAUTION / NOTICE / HINT

### NOTICE:

- After the ignition switch is turned off, there may be a waiting time before disconnecting the negative (-) auxiliary battery terminal.

[Click here](#)

### HINT:

When disconnecting and reconnecting the auxiliary battery, there is an automatic learning function that completes learning when the respective system is used.

[Click here](#)

- After replacing the airbag ECU assembly or front seat adjuster assembly RH, refer to work procedure.

[Click here](#)

### HINT:

- If it is difficult to perform troubleshooting (wire harness inspection), remove the front passenger seat installation bolts to see under the seat cushion.
- In the above case, lift and hold the seat so that it does not fall down. Hold the seat only as necessary because holding the seat for a long period of time may cause seat rail deformation.

## PROCEDURE

**1. CHECK DTC**

(a) Check the DTCs.

**Body Electrical > SRS Airbag > Trouble Codes**

RESULT	PROCEED TO
B00C087 is output	A
B00C287 is output	B
B00C087 and B00C287 are output	C
B00C087 and B00C287 are not output	D

**HINT:**

Codes other than DTCs B00C087 and B00C287 may be output at this time, but they are not related to this check.

**B** ► **GO TO STEP 5**

**C** ► **GO TO STEP 8**

**D** ► **USE SIMULATION METHOD TO CHECK**

**A**

**2. CHECK CONNECTION OF CONNECTORS**

Pre-procedure1

- (a) Turn the ignition switch off.
- (b) Disconnect the cable from the negative (-) auxiliary battery terminal, and wait for at least 60 seconds.

Procedure1

- (c) Check that the connectors are properly connected to the airbag ECU assembly and front seat adjuster assembly RH (front occupant classification sensor LH).

OK:

The connectors are properly connected.

Post-procedure1

(d) None

**NG**  **CONNECT CONNECTORS PROPERLY**

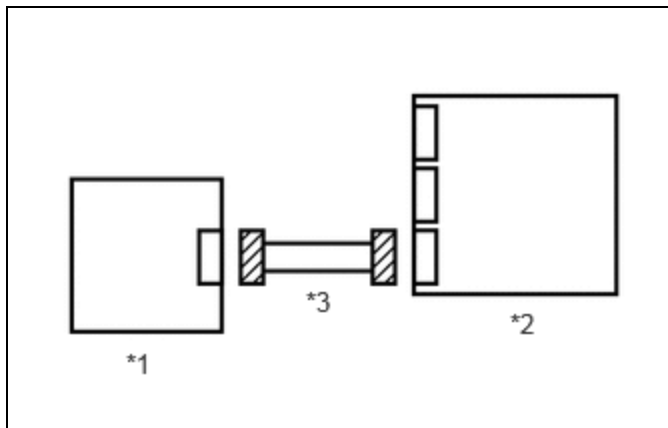
**OK**



<b>3.</b>	<b>CHECK CONNECTORS</b>
-----------	-------------------------

Pre-procedure1

(a) Disconnect the airbag ECU assembly connector.



*1	Front Seat Adjuster Assembly RH (Front Occupant Classification Sensor LH)
*2	Airbag ECU Assembly
*3	Wire Harness

(b) Disconnect the front seat adjuster assembly RH (front occupant classification sensor LH) connector.

Procedure1

(c) Check that the terminals of the connectors are not deformed or damaged.

OK:

The terminals are not deformed or damaged.

Post-procedure1

(d) None

**NG**  **REPAIR OR REPLACE HARNESS OR CONNECTOR**

**OK**



**4. CHECK HARNESS AND CONNECTOR (AIRBAG ECU ASSEMBLY - FRONT SEAT ADJUSTER ASSEMBLY RH)**

(a) Measure the resistance according to the value(s) in the table below.

Standard Resistance:

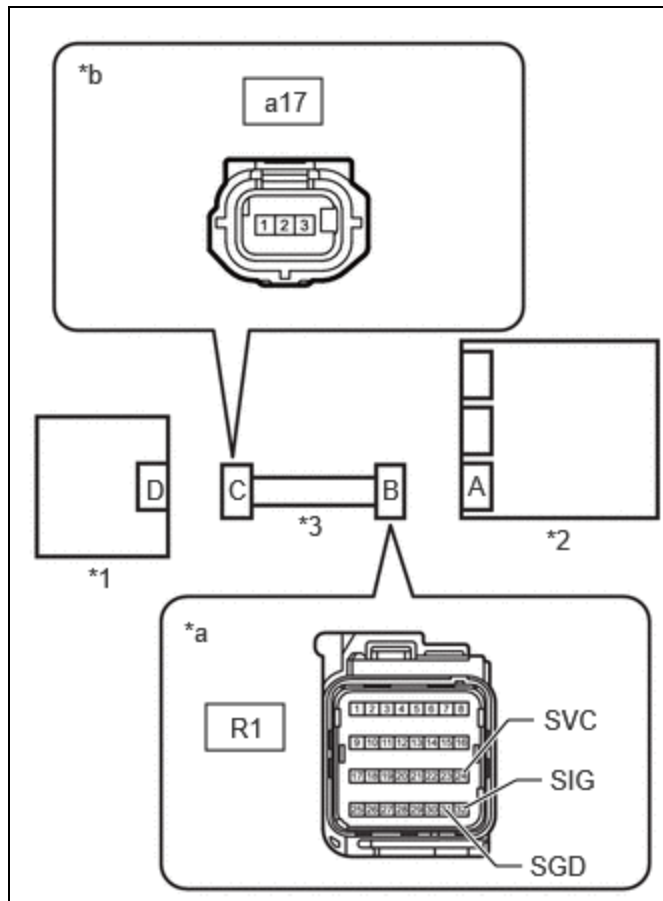


[Click Location & Routing\(R1,a17\).](#)

[Click Connector\(R1\).](#)

[Click Connector\(a17\).](#)

TESTER CONNECTION	CONDITION	SPECIFIED CONDITION	RESULT
R1-24 (SVC) - a17-1	Always	Below 1 Ω	Ω
R1-32 (SIG) - a17-2	Always	Below 1 Ω	Ω
R1-31 (SGD) - a17-3	Always	Below 1 Ω	Ω



*1	Front Seat Adjuster Assembly RH
*2	Airbag ECU Assembly
*3	Wire Harness
*a	Front view of wire harness connector (to Airbag ECU Assembly)
*b	Front view of wire harness connector (to Front Seat Adjuster Assembly RH (Front Occupant Classification Sensor LH))

**OK** **REPLACE FRONT SEAT ADJUSTER ASSEMBLY RH**

**NG** **REPAIR OR REPLACE HARNESS OR CONNECTOR**

**5. CHECK CONNECTION OF CONNECTORS**

Pre-procedure1

- (a) Turn the ignition switch off.
- (b) Disconnect the cable from the negative (-) auxiliary battery terminal, and wait for at least 60 seconds.

Procedure1

- (c) Check that the connectors are properly connected to the airbag ECU assembly and front seat adjuster assembly RH (rear occupant classification sensor LH).

OK:

The connectors are properly connected.

Post-procedure1

- (d) None

**NG** **CONNECT CONNECTORS PROPERLY**

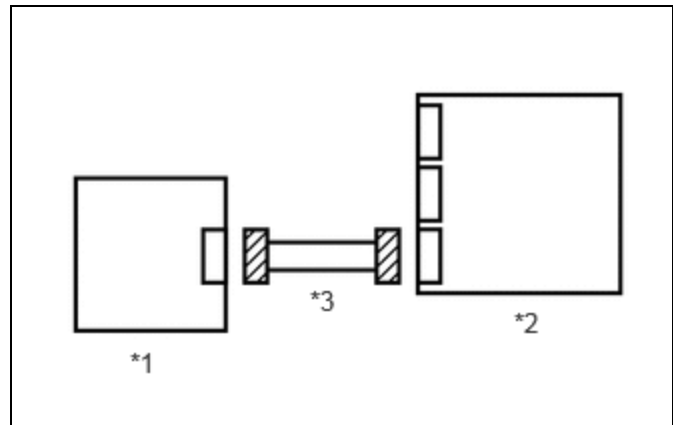
**OK**



**6. CHECK CONNECTORS**

Pre-procedure1

- (a) Disconnect the airbag ECU assembly connector.



*1	Front Seat Adjuster Assembly RH (Rear Occupant Classification Sensor LH)
*2	Airbag ECU Assembly
*3	Wire Harness

- (b) Disconnect the front seat adjuster assembly RH (rear occupant classification sensor LH) connector.

Procedure1

- (c) Check that the terminals of the connectors are not deformed or damaged.

OK:

The terminals are not deformed or damaged.

Post-procedure1

(d) None

**NG** REPAIR OR REPLACE HARNESS OR CONNECTOR

**OK**



**7. CHECK HARNESS AND CONNECTOR (AIRBAG ECU ASSEMBLY - FRONT SEAT ADJUSTER ASSEMBLY RH)**

(a) Measure the resistance according to the value(s) in the table below.

Standard Resistance:

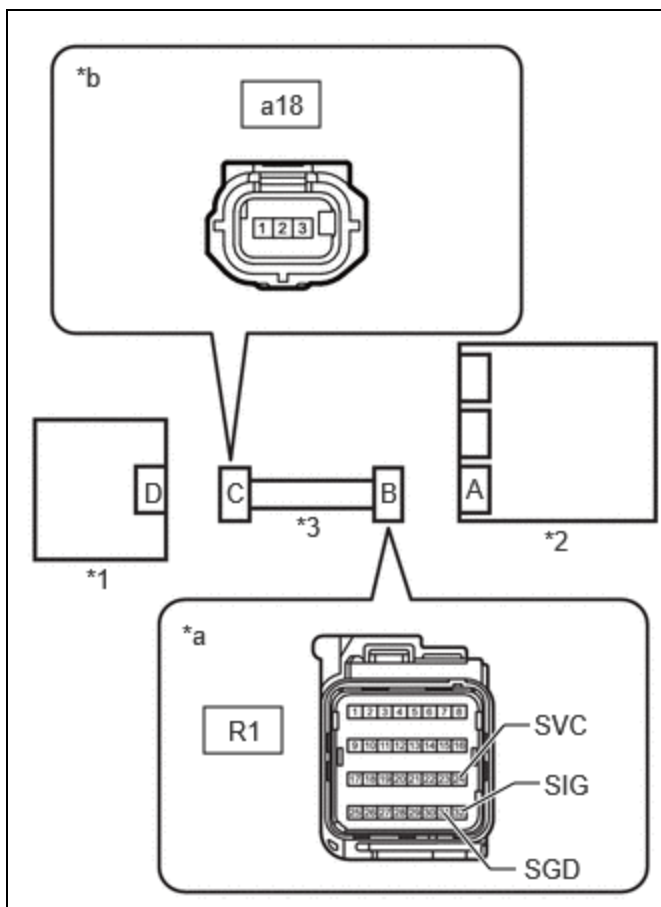


[Click Location & Routing\(R1,a18\)](#)

[Click Connector\(R1\)](#)

[Click Connector\(a18\)](#)

TESTER CONNECTION	CONDITION	SPECIFIED CONDITION	RESULT
R1-24 (SVC) - a18-1	Always	Below 1 Ω	Ω
R1-32 (SIG) - a18-2	Always	Below 1 Ω	Ω
R1-31 (SGD) - a18-3	Always	Below 1 Ω	Ω



*1	Front Seat Adjuster Assembly RH
*2	Airbag ECU Assembly
*3	Wire Harness
*a	Front view of wire harness connector (to Airbag ECU Assembly)
*b	Front view of wire harness connector (to Front Seat Adjuster Assembly RH (Rear Occupant Classification Sensor LH))

**OK**  **REPLACE FRONT SEAT ADJUSTER ASSEMBLY RH** 

**NG**  **REPAIR OR REPLACE HARNESS OR CONNECTOR**

## 8. CHECK CONNECTION OF CONNECTORS

Pre-procedure1

- (a) Turn the ignition switch off.
- (b) Disconnect the cable from the negative (-) auxiliary battery terminal, and wait for at least 60 seconds.

Procedure1

- (c) Check that the connectors are properly connected to the airbag ECU assembly and front seat adjuster assembly RH.

OK:

The connectors are properly connected.

Post-procedure1

- (d) None

**NG**  **CONNECT CONNECTORS PROPERLY**

**OK**

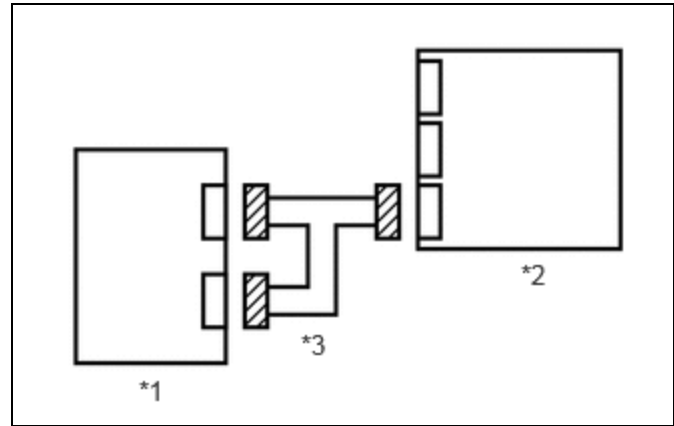


## 9. CHECK CONNECTORS

Pre-procedure1

- (a) Disconnect the airbag ECU assembly connector.





*1	Front Seat Adjuster Assembly RH
*2	Airbag ECU Assembly
*3	Wire Harness

(b) Disconnect the front seat adjuster assembly RH connector.

Procedure1

(c) Check that the terminals of the connectors are not deformed or damaged.

OK:

The terminals are not deformed or damaged.

Post-procedure1

(d) None

**NG** ► REPAIR OR REPLACE HARNESS OR CONNECTOR

**OK**



<b>10.</b>	<b>CHECK HARNESS AND CONNECTOR (AIRBAG ECU ASSEMBLY - FRONT SEAT ADJUSTER ASSEMBLY RH)</b>
------------	--

(a) Measure the resistance according to the value(s) in the table below.

Standard Resistance:



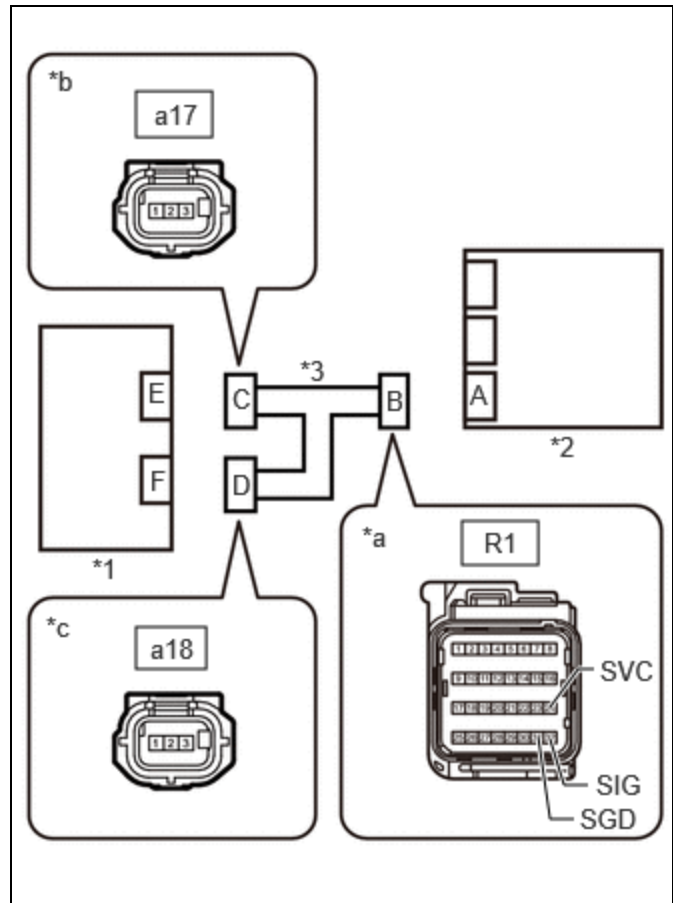
[Click Location & Routing\(R1,a17,a18\).](#)

[Click Connector\(R1\).](#)

[Click Connector\(a17\).](#)

[Click Connector\(a18\).](#)

TESTER CONNECTION	CONDITION	SPECIFIED CONDITION	RESULT
R1-24 (SVC) - a17-1	Always	Below 1 Ω	Ω
R1-24 (SVC) - a18-1	Always	Below 1 Ω	Ω
R1-32 (SIG) - a17-2	Always	Below 1 Ω	Ω
R1-32 (SIG) - a18-2	Always	Below 1 Ω	Ω
R1-31 (SGD) - a17-3	Always	Below 1 Ω	Ω
R1-31 (SGD) - a18-3	Always	Below 1 Ω	Ω



*1	Front Seat Adjuster Assembly RH
*2	Airbag ECU Assembly
*3	Wire Harness
*a	Front view of wire harness connector (to Airbag ECU Assembly)
*b	Front view of wire harness connector (to Front Seat Adjuster Assembly RH (Front Occupant Classification Sensor LH))
*c	Front view of wire harness connector (to Front Seat Adjuster Assembly RH (Rear Occupant Classification Sensor LH))

**OK** ▶ REPLACE AIRBAG ECU ASSEMBLY INFO

**NG** ▶ REPAIR OR REPLACE HARNESS OR CONNECTOR

