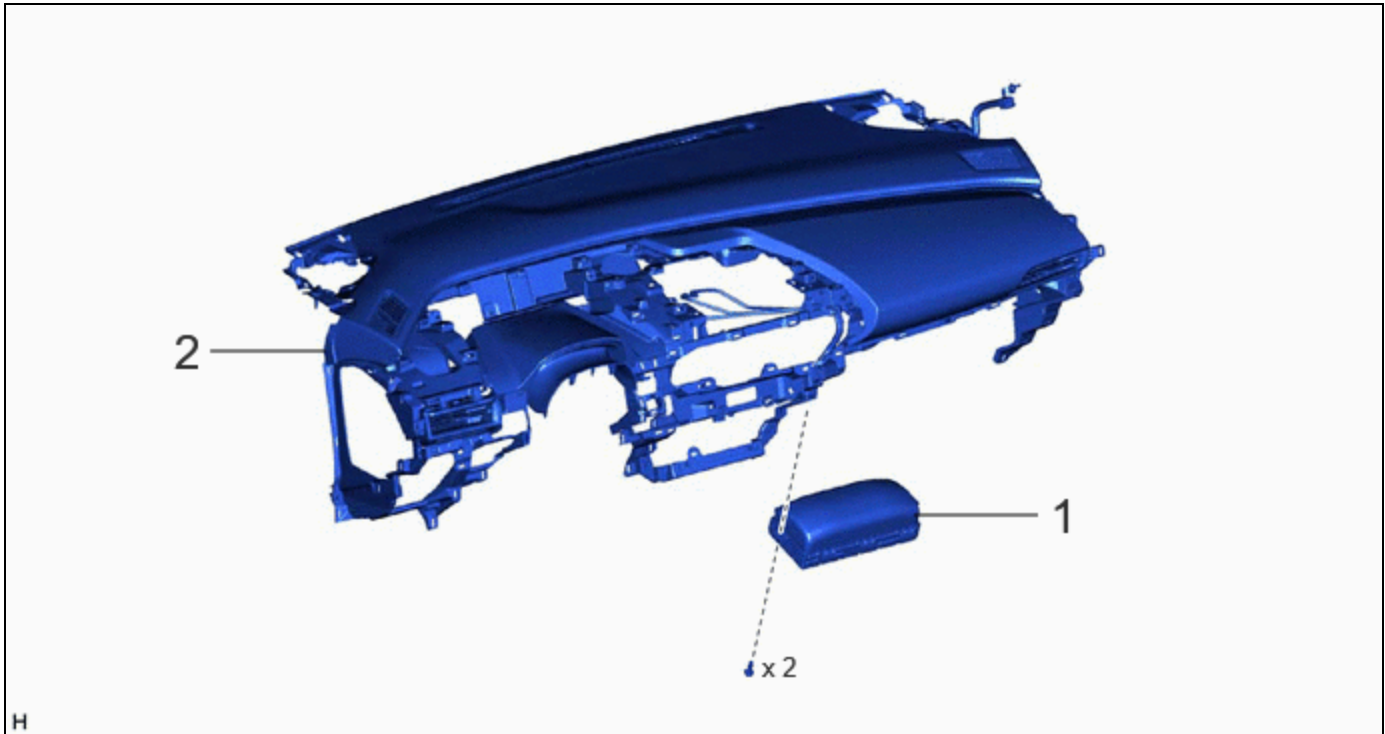


Last Modified: 12-04-2024	6.11:8.1.0	Doc ID: RM100000028UZI
Model Year Start: 2023	Model: Prius Prime	Prod Date Range: [12/2022 -]
Title: SUPPLEMENTAL RESTRAINT SYSTEMS: FRONT PASSENGER AIRBAG ASSEMBLY: INSTALLATION; 2023 - 2024 MY Prius Prius Prime [12/2022 -]		

INSTALLATION

CAUTION / NOTICE / HINT

COMPONENTS (INSTALLATION)



	PROCEDURE	PART NAME CODE			
1	INSTRUMENT PANEL PASSENGER AIRBAG ASSEMBLY	73960A	-	-	-
2	INSTRUMENT PANEL SAFETY PAD SUB-ASSEMBLY	-	-	-	-

PROCEDURE

1. INSTALL INSTRUMENT PANEL PASSENGER AIRBAG ASSEMBLY

2. INSTALL INSTRUMENT PANEL SAFETY PAD SUB-ASSEMBLY

Click here [INFO](#)

