

<b>Last Modified:</b> 12-04-2024	6.11:8.1.0	<b>Doc ID:</b> RM1000000028UZK
<b>Model Year Start:</b> 2023	<b>Model:</b> Prius Prime	<b>Prod Date Range:</b> [12/2022 - ]
<b>Title:</b> SUPPLEMENTAL RESTRAINT SYSTEMS: FRONT PASSENGER AIRBAG ASSEMBLY: DISPOSAL; 2023 - 2024 MY Prius Prius Prime [12/2022 - ]		

## DISPOSAL

### CAUTION / NOTICE / HINT

#### **CAUTION:**

Before performing pre-disposal deployment of any SRS part, review and closely follow all applicable environmental and hazardous material regulations. Pre-disposal deployment may be considered hazardous material treatment.

## PROCEDURE

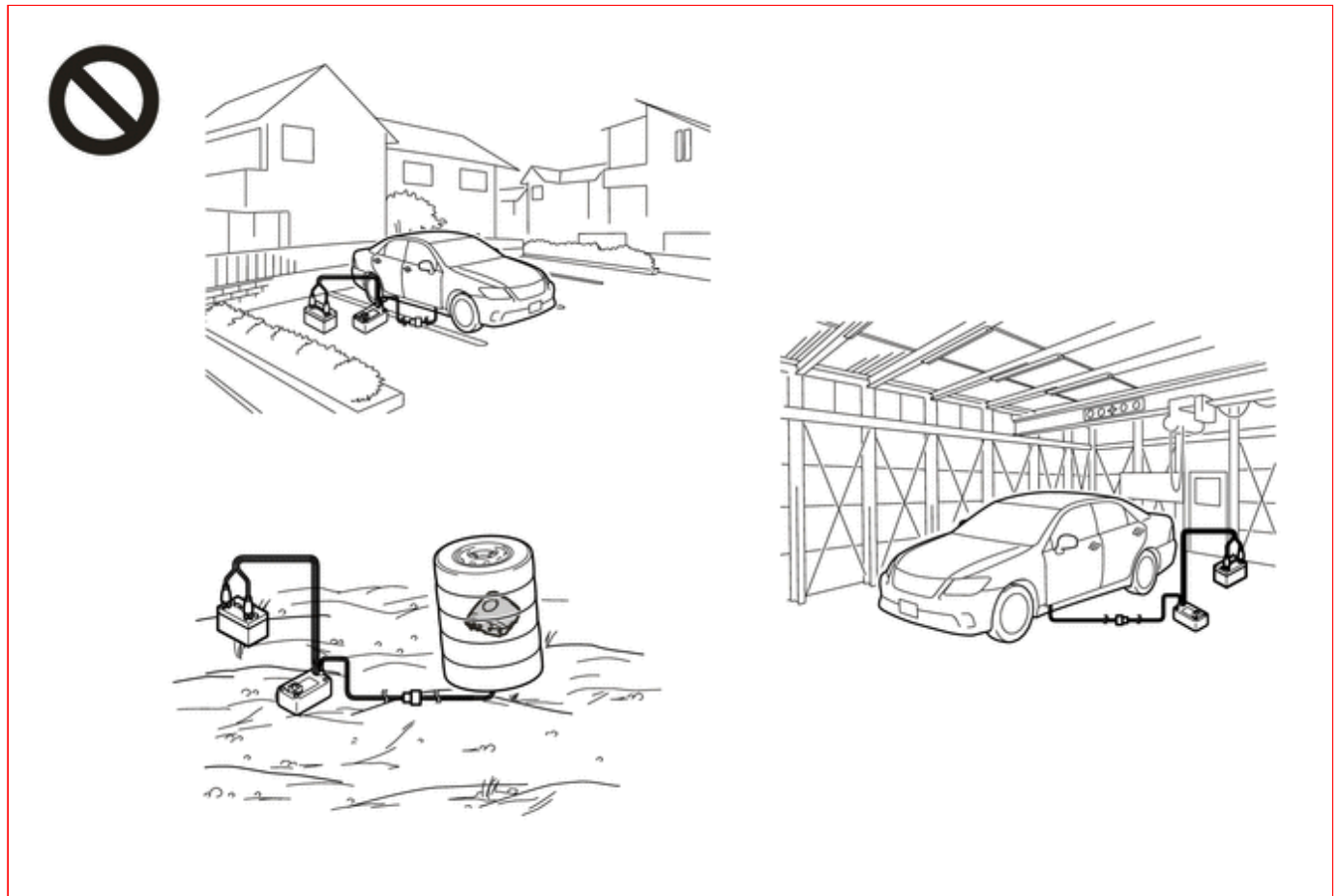
### **1. PRECAUTION**

#### **CAUTION:**

- An airbag or pretensioner may be accidentally deployed by static electricity. To prevent this, be sure to touch a metal surface with your bare hands to discharge static electricity before performing this procedure.
- Never dispose of an instrument panel passenger airbag assembly with an undeployed airbag.



- The airbag produces an exploding sound when it is deployed, so perform the operation outdoors where it will not disturb nearby residents.



- When deploying the airbag, always use the specified SST (SRS airbag deployment tool). Perform the operation in a place away from electrical noise.
- When deploying the airbag, perform the operation at least 10 m (32.8 ft.) away from the instrument panel passenger airbag assembly.
- The instrument panel passenger airbag assembly becomes extremely hot when the airbag is deployed, so do not touch it for at least 30 minutes after deployment.
- Use gloves and safety glasses when handling an instrument panel passenger airbag assembly with a deployed airbag.
- Do not apply water, etc. to an instrument panel passenger airbag assembly with a deployed airbag.
- Always wash your hands with water after completing the operation.

**HINT:**

When scrapping a vehicle equipped with an SRS or disposing of the instrument panel passenger airbag assembly, be sure to deploy the airbag first in accordance with the following procedure. If any abnormality occurs with the airbag deployment, contact the Service Department of the distributor.

**2. DISPOSE OF INSTRUMENT PANEL PASSENGER AIRBAG ASSEMBLY (When Installed to Vehicle)****NOTICE:**

- When disposing of an instrument panel passenger airbag assembly, never use the customer's vehicle to deploy the airbag.
- Be sure to perform the following procedure when deploying the airbag.

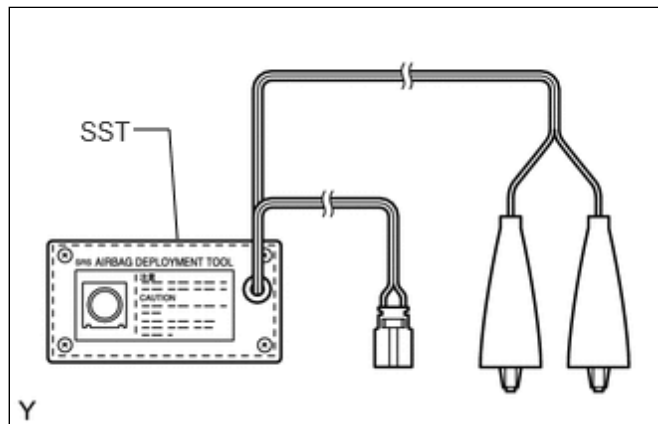
**HINT:**

Prepare an auxiliary battery as the power source to deploy the airbag.

(a) Check the function of SST.

Click here [INFO](#)

**SST: 09082-00700**



(b) Refer to Precaution.

Click here [INFO](#)

(c) Disconnect the cable from the negative (-) auxiliary battery terminal.

- for M20A-FXS:

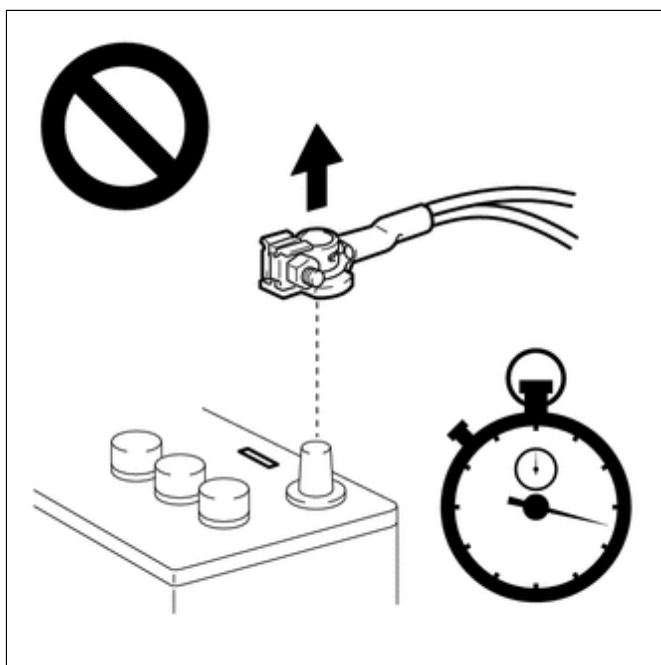
Click here [INFO](#)

- for 2ZR-FXE:

Click here [INFO](#)

**CAUTION:**

Wait at least 60 seconds after disconnecting the cable from the negative (-) auxiliary battery terminal to disable the SRS system.



(d) Remove the lower instrument panel sub-assembly.

Click here [INFO](#)

(e) Disconnect the airbag connector from the instrument panel passenger airbag assembly.

**NOTICE:**

When disconnecting any airbag connector, take care not to damage the airbag wire harness.

**HINT:**

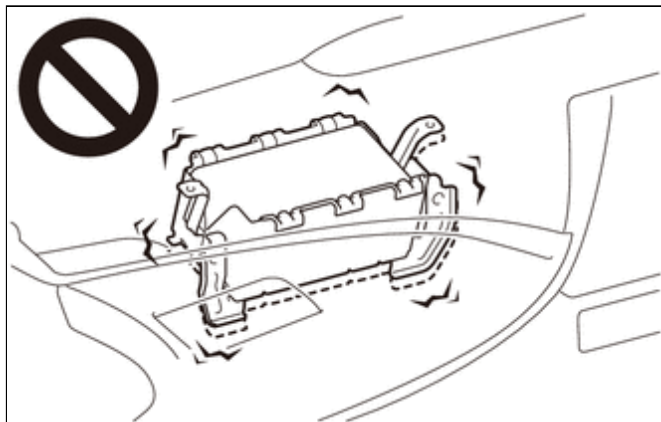
Refer to How to Connect or Disconnect Airbag Connector.

Click here [INFO](#)

(f) Install SST.

**CAUTION:**

Check that there is no looseness in the instrument panel passenger airbag assembly or instrument panel safety pad sub-assembly.



(1) w/ Occupant Classification System:

After connecting the following SST to each other, connect them to the instrument panel passenger airbag assembly.

**SST: 09082-00700**

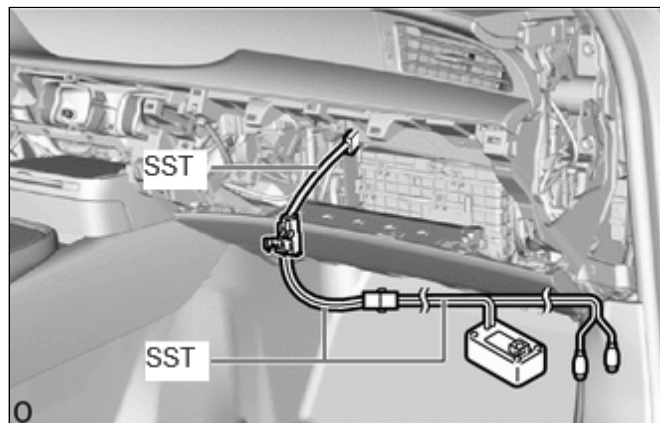
**SST: 09082-00802**

09082-10801

09082-30801

**NOTICE:**

To avoid damaging the SST connector or wire harness, do not lock the secondary lock of the twin lock.



(2) w/o Occupant Classification System:

After connecting the following SST to each other, connect them to the instrument panel passenger airbag assembly.

**SST: 09082-00700**

**SST: 09082-00802**

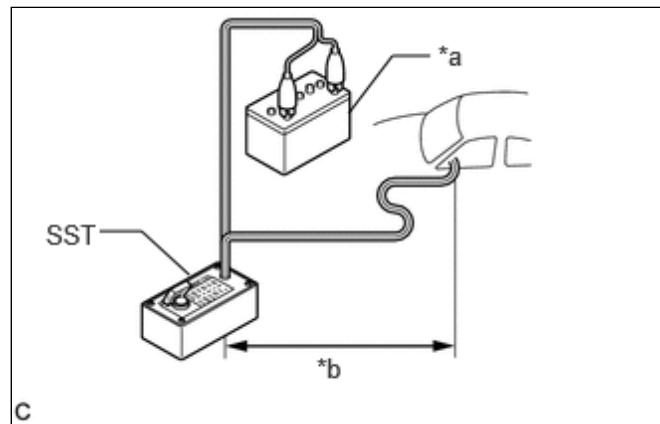
09082-10801

09082-40800

**NOTICE:**

To avoid damaging the SST connector or wire harness, do not lock the secondary lock of the twin lock.

(3) Move SST at least 10 m (32.8 ft.) away from the front side window of the vehicle.



*a	Auxiliary Battery
*b	10 m (32.8 ft.) or more

- (4) Maintaining sufficient clearance for the SST wire harness in the front side window, close all doors and windows of the vehicle.

**NOTICE:**

Take care not to damage the SST wire harness.

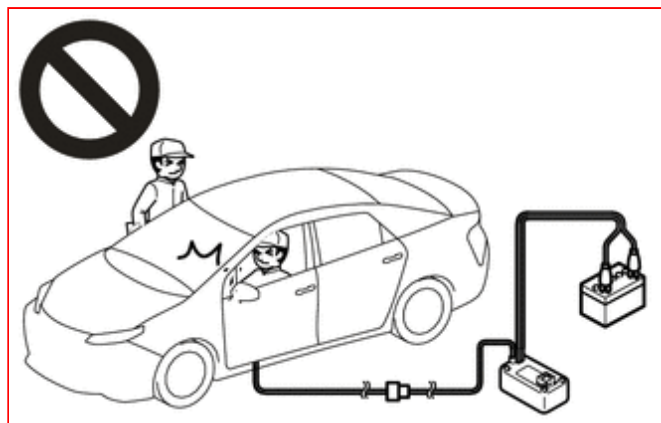
- (5) Connect the red clip of SST to the positive (+) auxiliary battery terminal and the black clip of SST to the negative (-) auxiliary battery terminal.

- (g) Deploy the airbag.

- (1) Check that no one is inside the vehicle or within a 10 m (32.8 ft.) radius of the vehicle.  
 (2) Press the SST activation switch to deploy the airbag.

**CAUTION:**

- Before deployment, make sure that no one is inside or near the vehicle.



- The instrument panel passenger airbag assembly becomes extremely hot when the airbag is deployed, so do not



touch it for at least 30 minutes after deployment.

- Use gloves and safety glasses when handling an instrument panel passenger airbag assembly with a deployed



airbag.

- Do not apply water, etc. to an instrument panel passenger airbag assembly with a deployed airbag.



- Always wash your hands with water after completing the operation.

#### HINT:

The airbag is deployed as the LED of the SST activation switch comes on.

### 3. DISPOSE OF INSTRUMENT PANEL PASSENGER AIRBAG ASSEMBLY (When not Installed to Vehicle)

#### NOTICE:

Be sure to perform the following procedure when deploying the airbag.

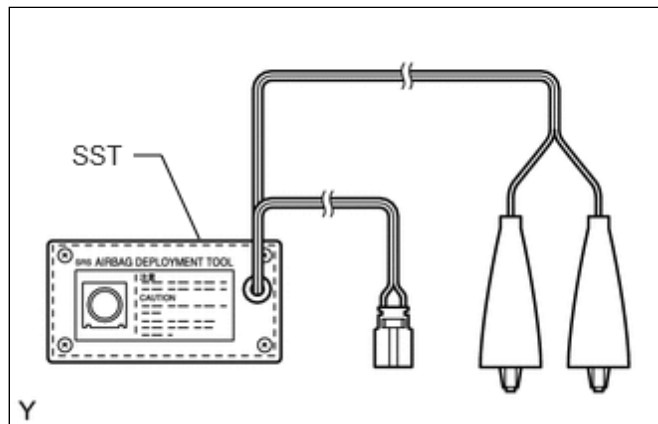
#### HINT:

Prepare an auxiliary battery as the power source to deploy the airbag.

- (a) Check the function of SST.

Click here [INFO](#)

**SST: 09082-00700**

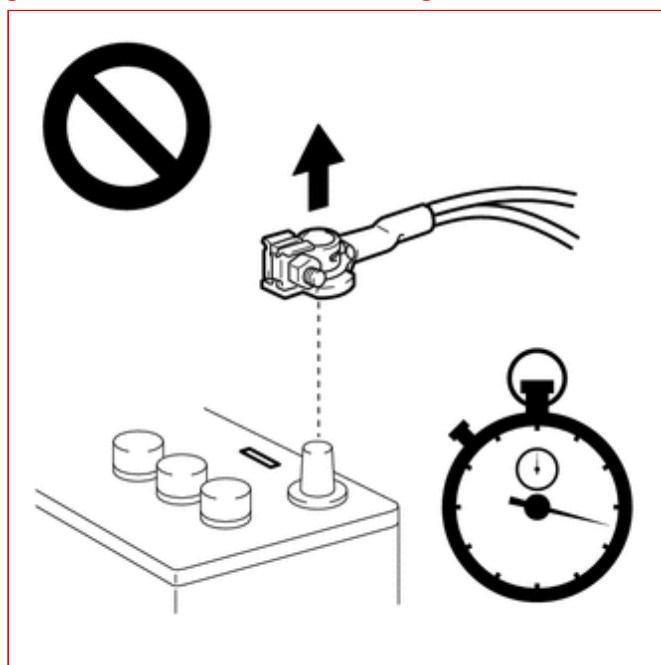


(b) Remove the instrument panel passenger airbag assembly.

Click here [INFO](#)

**CAUTION:**

- Before removing the instrument panel passenger airbag assembly, wait at least 60 seconds after turning the ignition switch off and disconnecting the cable from the negative (-) auxiliary battery terminal.



- When storing the instrument panel passenger airbag assembly, keep the airbag deployment side facing upward.





(c) Install SST.

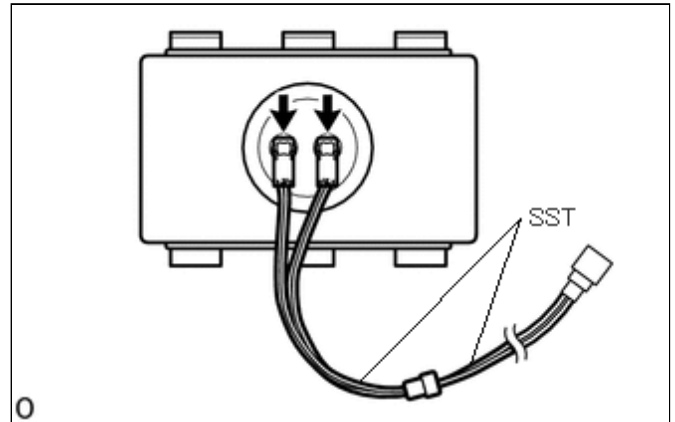
(1) w/ Occupant Classification System:

After connecting the following SST to each other, connect them to the instrument panel passenger airbag assembly.

**SST: 09082-00802**

09082-10801

09082-30801



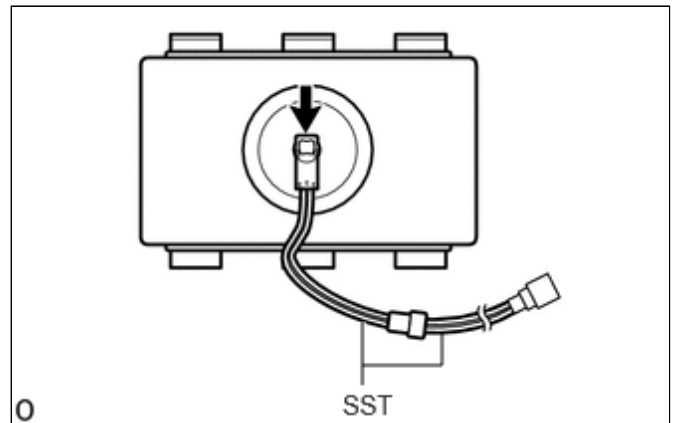
(2) w/o Occupant Classification System:

After connecting the following SST to each other, connect them to the instrument panel passenger airbag assembly.

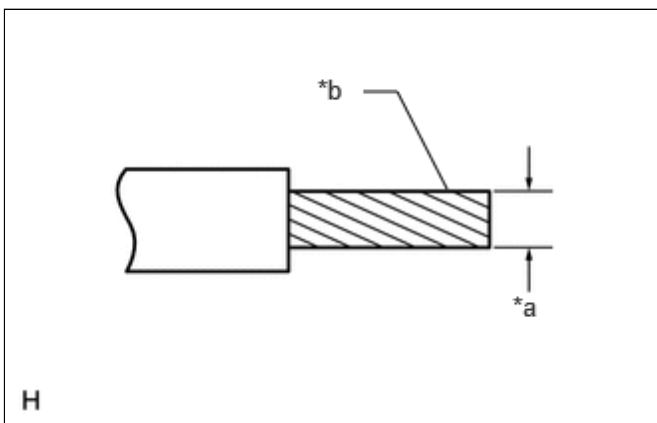
**SST: 09082-00802**

09082-10801

09082-40800



(d) Using braided wire, tie down the instrument panel passenger airbag assembly to an unneeded tire.



*a	Wire Diameter
*b	Stripped Wire Cross Sectional Area

Wire:



Stripped Wire Cross Sectional Area

1.25 mm<sup>2</sup> (0.0019 in.<sup>2</sup>) or more

**CAUTION:**

If the wire is too thin or an alternative object is used to tie down the instrument panel passenger airbag assembly, it may snap when the airbag is deployed. Always use a wire for vehicle use with a cross sectional area of at least 1.25 mm<sup>2</sup> (0.0019 in.<sup>2</sup>).

**HINT:**

To calculate the cross sectional area of the stripped wire:

$$\text{Cross sectional area} = 3.14 \times (\text{Diameter})^2 / 4$$

(1) Position the instrument panel passenger airbag assembly inside the tire with the airbag deployment side facing inward.

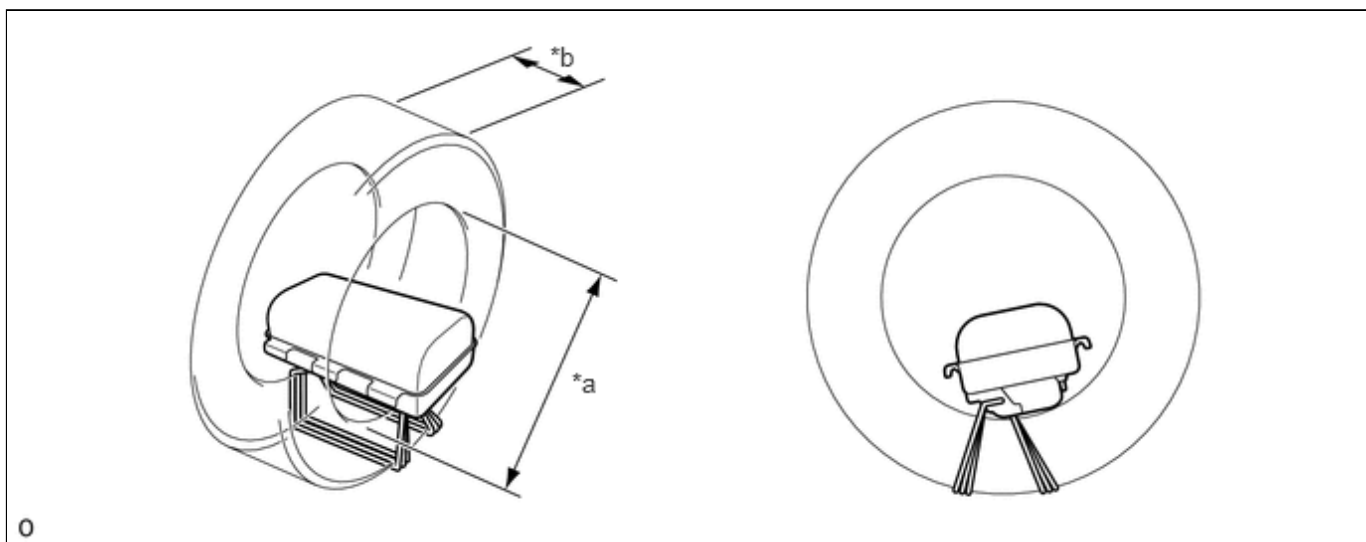
Minimum Tire Size:

**Width**

185 mm (7.28 in.)

**Inner Diameter**

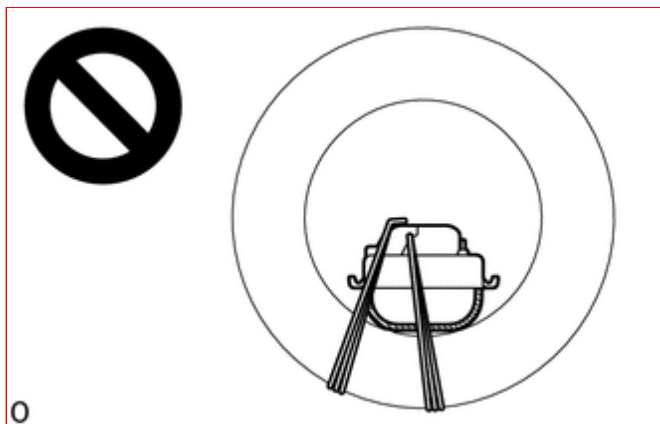
360 mm (1.18 ft.)



*a	Inner Diameter	*b	Width
----	----------------	----	-------

**CAUTION:**

- Make sure that the wires are tight. If there is slack in the wires, the instrument panel passenger airbag assembly may break loose when the airbag is deployed.
- Always tie down the instrument panel passenger airbag assembly with the airbag deployment side facing inside



the tire.



**NOTICE:**

The tire may be damaged by the airbag deployment, so use an unneeded tire.

(e) Place the tires.

(1) Place at least 2 tires under the tire to which the instrument panel passenger airbag assembly is tied.

Minimum Tire Size:

**Width**

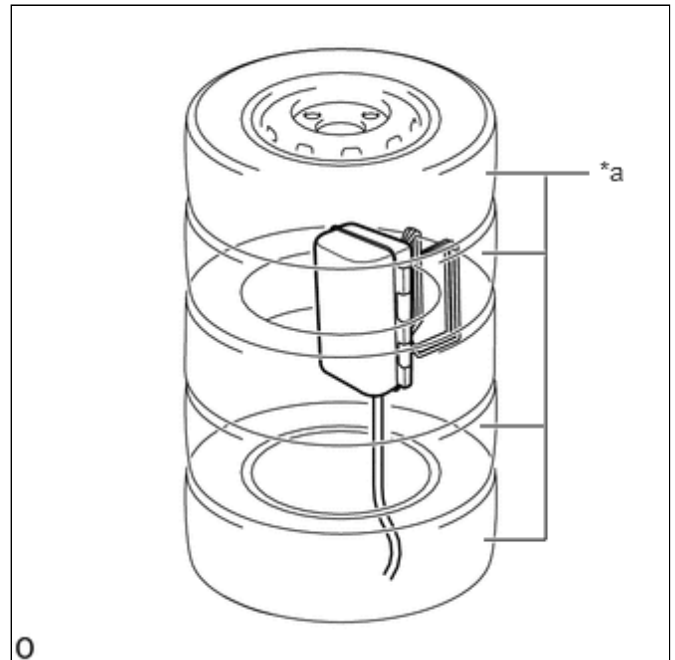
185 mm (7.28 in.)

**Inner Diameter**

360 mm (1.18 ft.)

**NOTICE:**

Do not place the SST connector under the tire because it could be damaged.



*a	Tires (2 or more)
----	-------------------

(2) Place at least 2 tires onto the tire to which the instrument panel passenger airbag assembly is tied. The top tire should have a wheel installed.

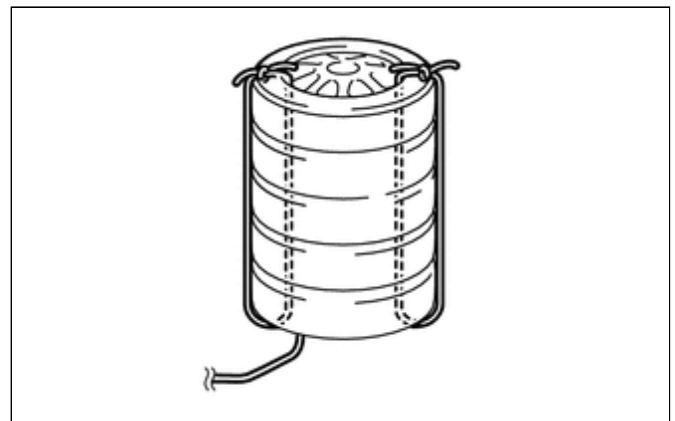
**NOTICE:**

The wheel and tires may be damaged by the airbag deployment, so use an unneeded wheel and tires.

(3) Tie the tires together with 2 wires.

**CAUTION:**

Make sure that the wires are tight. Looseness in the wires will result in the tires breaking loose when the airbag is deployed.



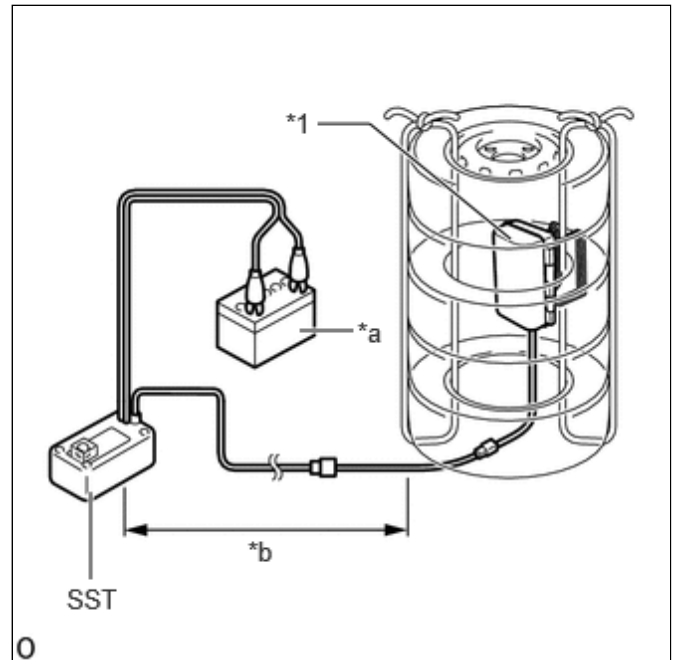
(f) Install SST.

(1) Connect the SST connector.

**SST: 09082-00700**

**NOTICE:**

To avoid damaging the SST connector or wire harness, do not lock the secondary lock of the twin lock. Also, secure some slack for the SST wire harness inside the tire.



*1	Instrument Panel Passenger Airbag Assembly
*a	Auxiliary Battery
*b	10 m (32.8 ft.) or more

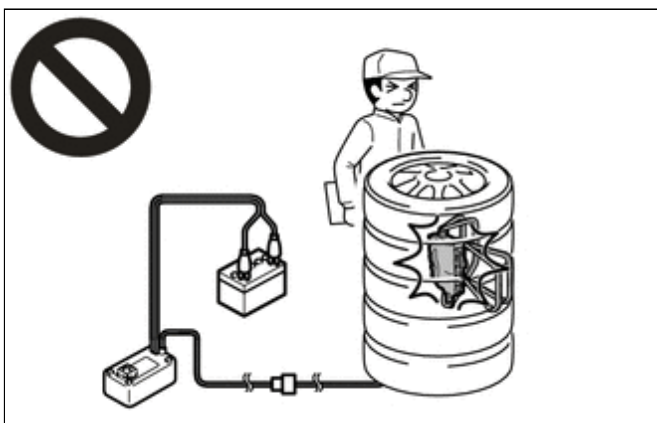
(2) Move SST at least 10 m (32.8 ft.) away from the airbag tied down to the tire.

(g) Deploy the airbag.

- (1) Connect the red clip of SST to the positive (+) auxiliary battery terminal and the black clip of SST to the negative (-) auxiliary battery terminal.
- (2) Check that no one is within a 10 m (32.8 ft.) radius of the tire to which the instrument panel passenger airbag assembly is tied.
- (3) Press the SST activation switch to deploy the airbag.

**CAUTION:**

Before deployment, make sure that no one is near the airbag.



**HINT:**

The airbag is deployed as the LED of the SST activation switch comes on.

(h) Dispose of the instrument panel passenger airbag assembly.

**CAUTION:**

- The instrument panel passenger airbag assembly becomes extremely hot when the airbag is deployed, so do not



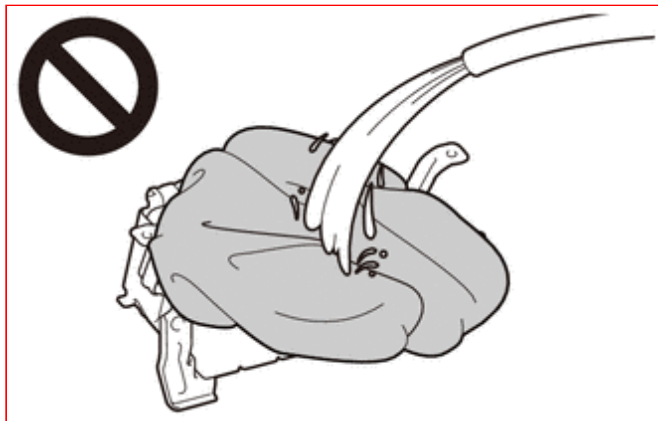
touch it for at least 30 minutes after deployment.

- Use gloves and safety glasses when handling an instrument panel passenger airbag assembly with a deployed



airbag.

- Do not apply water, etc. to an instrument panel passenger airbag assembly with a deployed airbag.



- Always wash your hands with water after completing the operation.

(1) Remove the instrument panel passenger airbag assembly from the tire.

(2) Place the instrument panel passenger airbag assembly in a plastic bag, tie it tightly, and dispose of it according to local regulations.

