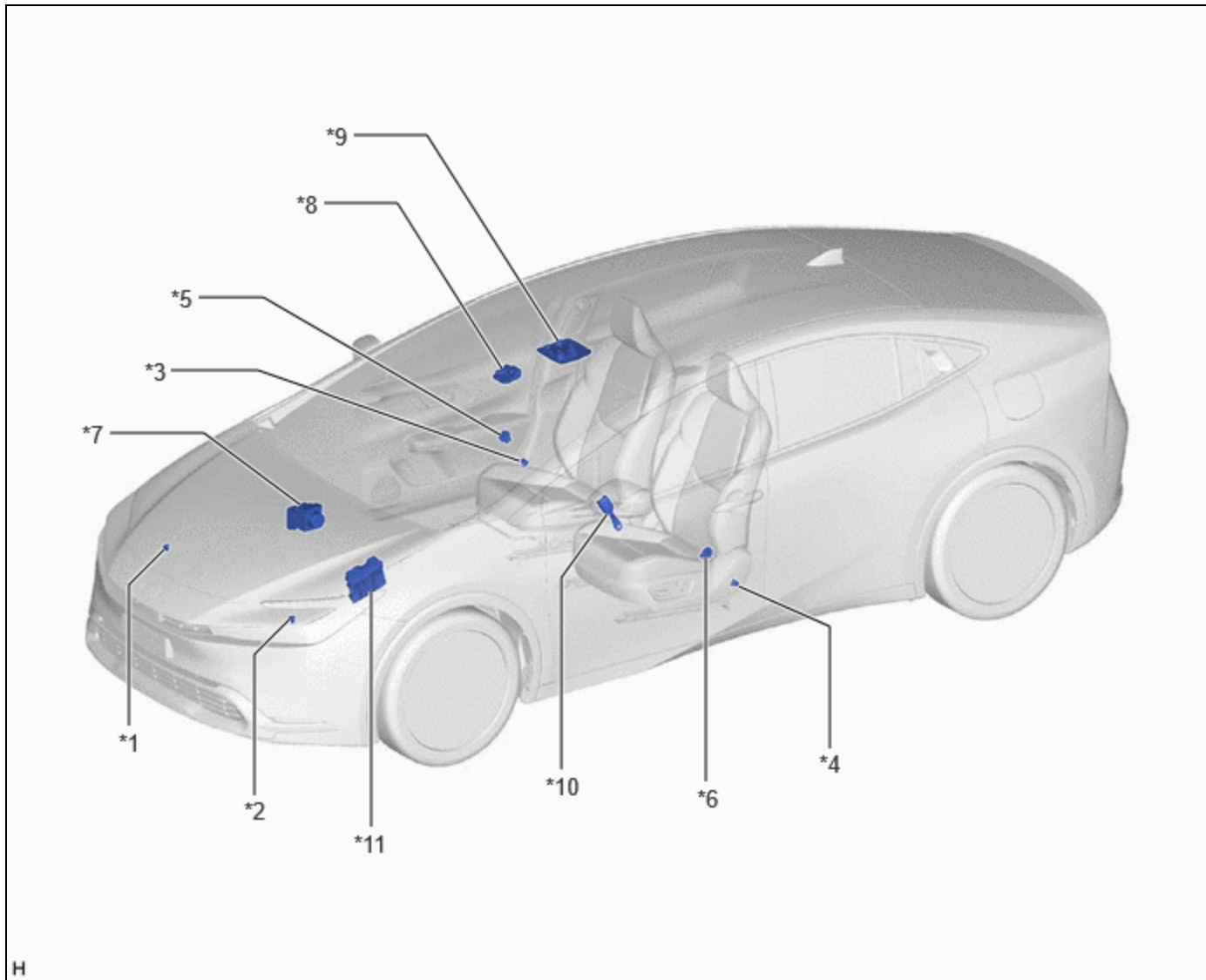


Last Modified: 12-04-2024	6.11:8.1.0	Doc ID: RM100000028UXJ
Model Year Start: 2023	Model: Prius Prime	Prod Date Range: [12/2022 -]
Title: SUPPLEMENTAL RESTRAINT SYSTEMS: AIRBAG SYSTEM: PARTS LOCATION; 2023 - 2024 MY Prius Prius Prime [12/2022 -]		

PARTS LOCATION

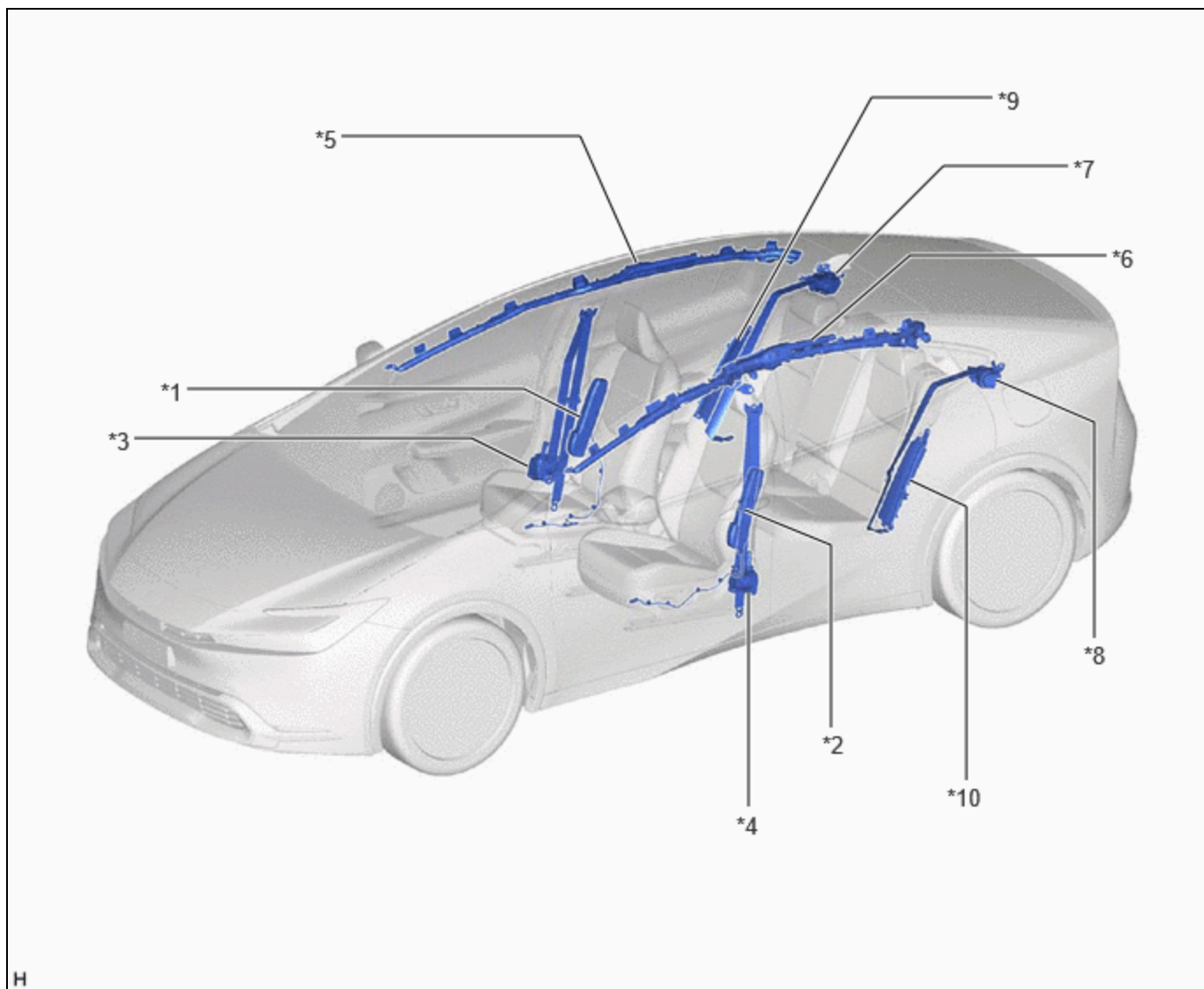
ILLUSTRATION



*1	FRONT AIRBAG SENSOR RH	*2	FRONT AIRBAG SENSOR LH
*3	FLOOR SIDE AIRBAG SENSOR RH	*4	FLOOR SIDE AIRBAG SENSOR LH
*5	SIDE AIRBAG PRESSURE SENSOR RH	*6	SIDE AIRBAG PRESSURE SENSOR LH
*7	BRAKE ACTUATOR ASSEMBLY - NO. 2 SKID CONTROL ECU	*8	FORWARD RECOGNITION CAMERA
*9	MAP LIGHT ASSEMBLY (w/ Occupant Classification System) - PASSENGER AIRBAG ON/OFF INDICATOR	*10	FRONT SEAT INNER BELT ASSEMBLY RH (w/ Occupant Classification System) - PASSENGER SEAT BUCKLE SWITCH

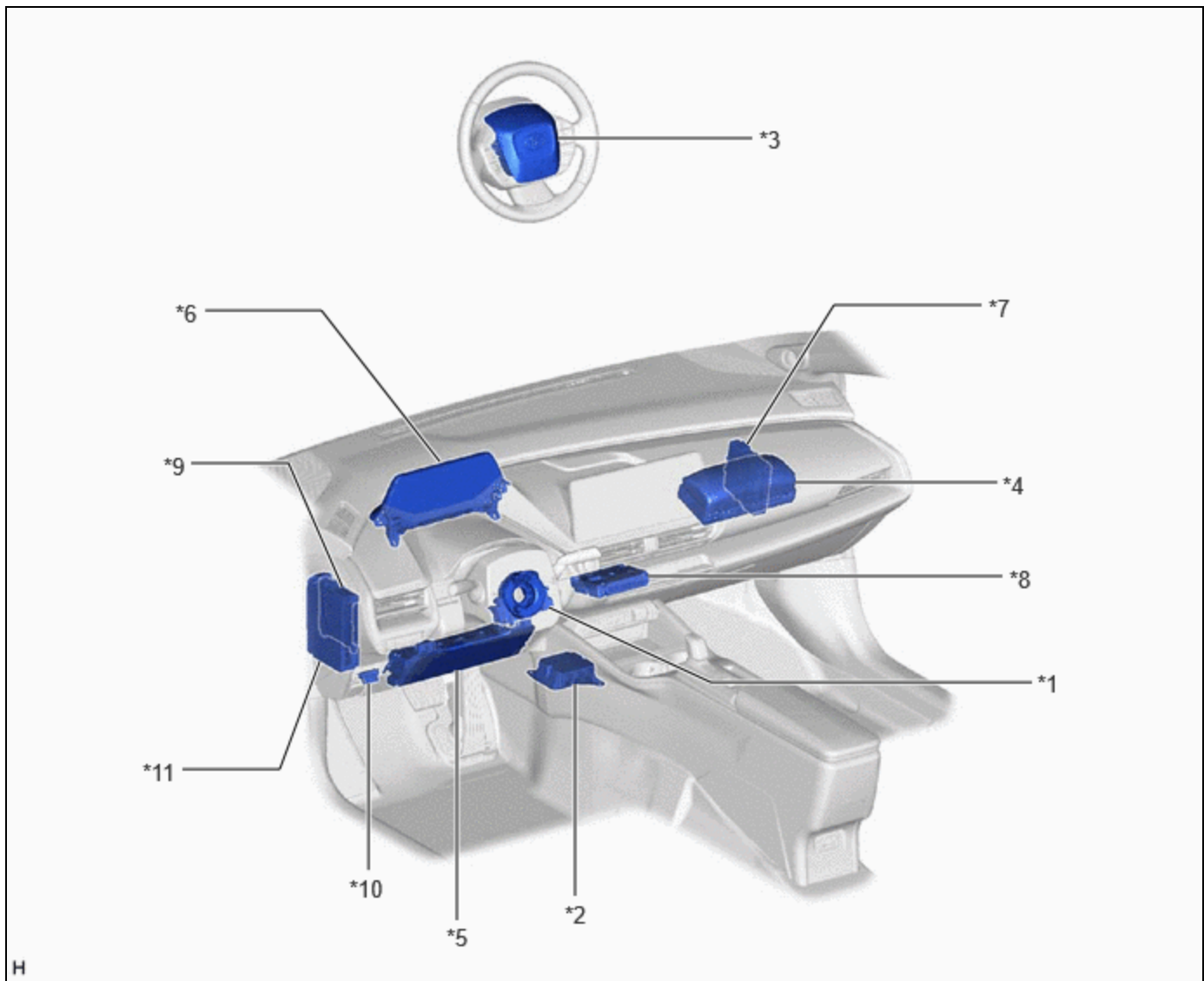
*11	ECM	-	-
-----	-----	---	---

ILLUSTRATION



*1	FRONT SEAT AIRBAG ASSEMBLY RH	*2	FRONT SEAT AIRBAG ASSEMBLY LH
*3	FRONT SEAT OUTER BELT ASSEMBLY RH	*4	FRONT SEAT OUTER BELT ASSEMBLY LH
*5	CURTAIN SHIELD AIRBAG ASSEMBLY RH	*6	CURTAIN SHIELD AIRBAG ASSEMBLY LH
*7	REAR SEAT OUTER BELT ASSEMBLY RH	*8	REAR SEAT OUTER BELT ASSEMBLY LH
*9	REAR SEAT AIRBAG ASSEMBLY RH (w/ Occupant Classification System)	*10	REAR SEAT AIRBAG ASSEMBLY LH (w/ Occupant Classification System)

ILLUSTRATION



H

*1	SPIRAL CABLE SUB-ASSEMBLY	*2	AIRBAG ECU ASSEMBLY
*3	HORN BUTTON ASSEMBLY	*4	INSTRUMENT PANEL PASSENGER AIRBAG ASSEMBLY
*5	LOWER NO. 1 INSTRUMENT PANEL AIRBAG ASSEMBLY (w/o Occupant Classification System)	*6	COMBINATION METER ASSEMBLY - SRS WARNING LIGHT
*7	HYBRID VEHICLE CONTROL ECU	*8	DCM (TELEMATICS TRANSCEIVER) (w/ Manual (SOS) Switch)
*9	MAIN BODY ECU (MULTIPLEX NETWORK BODY ECU)	*10	DLC3
*11	POWER DISTRIBUTION BOX ASSEMBLY - A/BAG-IGR FUSE - METER-IGR FUSE - ECU-IGR NO. 3 FUSE (w/ Occupant Classification System)	-	-

