

<b>Last Modified:</b> 12-04-2024	6.11:8.1.0	<b>Doc ID:</b> RM100000028UWS
<b>Model Year Start:</b> 2023	<b>Model:</b> Prius Prime	<b>Prod Date Range:</b> [12/2022 - ]
<b>Title:</b> SUPPLEMENTAL RESTRAINT SYSTEMS: AIRBAG SYSTEM: B009E96; Right Side Restraints Sensor 5 Component Internal Failure; 2023 - 2024 MY Prius Prius Prime [12/2022 - ]		

<b>DTC</b>	<b>B009E96</b>	<b>Right Side Restraints Sensor 5 Component Internal Failure</b>
------------	----------------	--

## DESCRIPTION

DTC NO.	DETECTION ITEM	DTC DETECTION CONDITION	TROUBLE AREA	WARNING INDICATE	DTC OUTPUT FROM	PRIORITY	TEST MODE / CHECK MODE
B009E96	Right Side Restraints Sensor 5 Component Internal Failure	<ul style="list-style-type: none"> <li>Side airbag pressure sensor RH malfunction</li> <li>Airbag ECU assembly malfunction</li> </ul>	<ul style="list-style-type: none"> <li>Side airbag pressure sensor RH</li> <li>Airbag ECU assembly</li> </ul>	Comes on	SRS Airbag	A	Does not apply to test/check mode

## WIRING DIAGRAM

Click here [INFO](#)

## CAUTION / NOTICE / HINT

### NOTICE:

- After the ignition switch is turned off, there may be a waiting time before disconnecting the negative (-) auxiliary battery terminal.

Click here [INFO](#)

### HINT:

When disconnecting and reconnecting the auxiliary battery, there is an automatic learning function that completes learning when the respective system is used.

Click here [INFO](#)

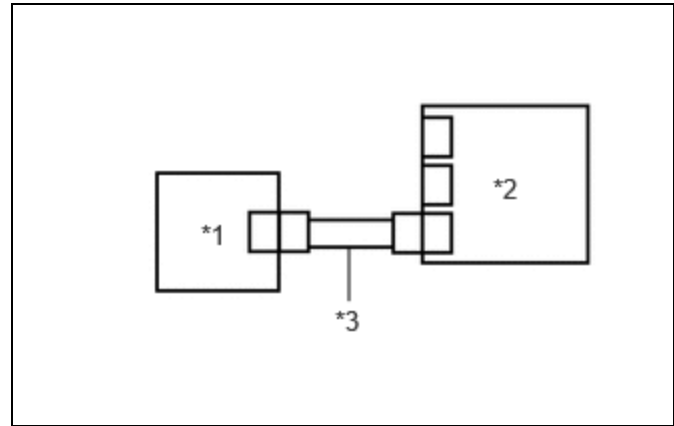
- After replacing the airbag ECU assembly, refer to work procedure.

Click here [INFO](#)

## PROCEDURE

<b>1.</b>	<b>CLEAR DTC</b>
-----------	------------------

Pre-procedure1



*1	Side Airbag Pressure Sensor LH
*2	Airbag ECU Assembly
*3	Wire Harness

(a) Turn the ignition switch off.

- (b) Disconnect the cable from the negative (-) auxiliary battery terminal, and wait for at least 60 seconds.
- (c) Interchange the side airbag pressure sensor RH with LH and connect the connectors to them.
- (d) Connect the cable to the negative (-) auxiliary battery terminal, and wait for at least 2 seconds.
- (e) Turn the ignition switch to ON, and wait for at least 60 seconds.

Procedure1

(f) Clear the DTCs stored in memory.

**Body Electrical > SRS Airbag > Clear DTCs**

Post-procedure1

(g) Turn the ignition switch off.

**NEXT**



## 2. CHECK SIDE AIRBAG PRESSURE SENSOR RH

Pre-procedure1

(a) Turn the ignition switch to ON, and wait for at least 60 seconds.

Procedure1

(b) Check for DTCs.

**Body Electrical > SRS Airbag > Trouble Codes**

RESULT	PROCEED TO
B009E96 is output	A
B009B96 is output	B
B009B96 and B009E96 are not output	C

**HINT:**

Codes other than DTCs B009B96 and B009E96 may be output at this time, but they are not related to this check.

Post-procedure1

- (c) Turn the ignition switch off.
- (d) Disconnect the cable from the negative (-) auxiliary battery terminal, and wait for at least 60 seconds.
- (e) Return the side airbag pressure sensor LH and RH to their original positions and connect the connectors to them.

**A** ► REPLACE AIRBAG ECU ASSEMBLY [INFO](#)

**B** ► REPLACE SIDE AIRBAG PRESSURE SENSOR RH [INFO](#)

**C** ► USE SIMULATION METHOD TO CHECK

