

Last Modified: 12-04-2024	6.11:8.1.0	Doc ID: RM100000028UVJ
Model Year Start: 2023	Model: Prius Prime	Prod Date Range: [12/2022 -]
Title: SUPPLEMENTAL RESTRAINT SYSTEMS: AIRBAG SYSTEM: B009B83; Left Side Restraints Sensor 5 Value of Signal Protection Calculation Incorrect; 2023 - 2024 MY Prius Prius Prime [12/2022 -]		

DTC	B009B83	Left Side Restraints Sensor 5 Value of Signal Protection Calculation Incorrect
------------	----------------	---

DESCRIPTION

DTC NO.	DETECTION ITEM	DTC DETECTION CONDITION	TROUBLE AREA	WARNING INDICATE	DTC OUTPUT FROM	PRIORITY	TEST MODE / CHECK MODE
B009B83	Left Side Restraints Sensor 5 Value of Signal Protection Calculation Incorrect	<ul style="list-style-type: none"> Side airbag pressure sensor LH malfunction Airbag ECU assembly malfunction 	<ul style="list-style-type: none"> Side airbag pressure sensor LH Airbag ECU assembly 	Comes on	SRS Airbag	A	Does not apply to test/check mode

WIRING DIAGRAM

Click here [INFO](#)

CAUTION / NOTICE / HINT

NOTICE:

- After the ignition switch is turned off, there may be a waiting time before disconnecting the negative (-) auxiliary battery terminal.

Click here [INFO](#)

HINT:

When disconnecting and reconnecting the auxiliary battery, there is an automatic learning function that completes learning when the respective system is used.

Click here [INFO](#)

- After replacing the airbag ECU assembly, refer to work procedure.

Click here [INFO](#)

PROCEDURE

1.	CHECK DTC
-----------	------------------

Pre-procedure1

(a) Turn the ignition switch to ON, and wait for at least 60 seconds.

Procedure1

(b) Check for DTCs.

Body Electrical > SRS Airbag > Trouble Codes

RESULT	PROCEED TO
B009B83 is output	A
B009B83 is not output	B

Post-procedure1

(c) None

B  **USE SIMULATION METHOD TO CHECK**

A



2.	CHECK CONNECTION OF CONNECTORS
-----------	---------------------------------------

Pre-procedure1

(a) Turn the ignition switch off.

(b) Disconnect the cable from the negative (-) auxiliary battery terminal, and wait for at least 60 seconds.

Procedure1

(c) Check that the connectors are properly connected to the airbag ECU assembly and side airbag pressure sensor LH.

OK:

The connectors are properly connected.

Post-procedure1

(d) None

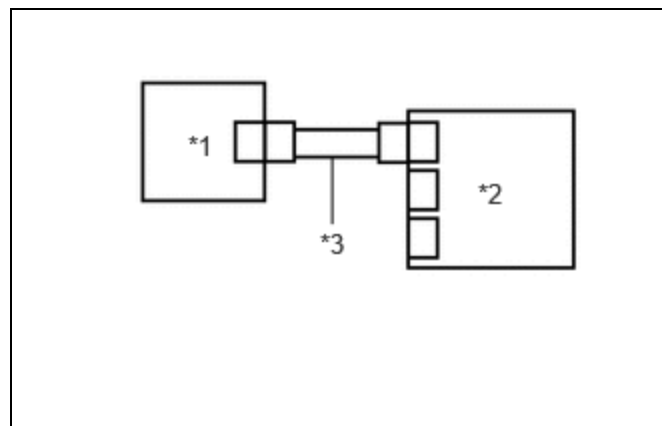
NG  **CONNECT CONNECTORS PROPERLY**

OK



3. CLEAR DTC

Pre-procedure1



- (a) Interchange the side airbag pressure sensor LH with RH and connect the connectors to them.

*1	Side Airbag Pressure Sensor RH
*2	Airbag ECU Assembly
*3	Wire Harness

- (b) Connect the cable to the negative (-) auxiliary battery terminal, and wait for at least 2 seconds.
 (c) Turn the ignition switch to ON, and wait for at least 60 seconds.

Procedure1

- (d) Clear the DTCs stored in memory.

Body Electrical > SRS Airbag > Clear DTCs

Post-procedure1

- (e) Turn the ignition switch off.

NEXT



4. CHECK SIDE AIRBAG PRESSURE SENSOR LH

Pre-procedure1

- (a) Turn the ignition switch to ON, and wait for at least 60 seconds.

Procedure1

- (b) Check for DTCs.

Body Electrical > SRS Airbag > Trouble Codes

RESULT	PROCEED TO
B009B83 is output	A
B009E83 is output	B
B009B83 and B009E83 are not output	C

HINT:

Codes other than DTCs B009B83 and B009E83 may be output at this time, but they are not related to this check.

Post-procedure1

- (c) Turn the ignition switch off.
- (d) Disconnect the cable from the negative (-) auxiliary battery terminal, and wait for at least 60 seconds.
- (e) Return the side airbag pressure sensor RH and LH to their original positions and connect the connectors to them.

A ► REPLACE AIRBAG ECU ASSEMBLY INFO

B ► REPLACE SIDE AIRBAG PRESSURE SENSOR LH INFO

C ► USE SIMULATION METHOD TO CHECK

