

| | | |
|---|---------------------------|--------------------------------------|
| Last Modified: 12-04-2024 | 6.11:8.1.0 | Doc ID: RM100000028UWH |
| Model Year Start: 2023 | Model: Prius Prime | Prod Date Range: [12/2022 -] |
| Title: SUPPLEMENTAL RESTRAINT SYSTEMS: AIRBAG SYSTEM: B009596; Right Frontal Restraints Sensor Component Internal Failure; 2023 - 2024 MY Prius Prius Prime [12/2022 -] | | |

| | | |
|------------|----------------|---|
| DTC | B009596 | Right Frontal Restraints Sensor Component Internal Failure |
|------------|----------------|---|

DESCRIPTION

| DTC NO. | DETECTION ITEM | DTC DETECTION CONDITION | TROUBLE AREA | WARNING INDICATE | DTC OUTPUT FROM | PRIORITY | TEST MODE / CHECK MODE |
|---------|--|---|---|------------------|-----------------|----------|-----------------------------------|
| B009596 | Right Frontal Restraints Sensor Component Internal Failure | <ul style="list-style-type: none"> Front airbag sensor RH malfunction Airbag ECU assembly malfunction | <ul style="list-style-type: none"> Front airbag sensor RH Airbag ECU assembly | Comes on | SRS Airbag | A | Does not apply to test/check mode |

WIRING DIAGRAM

Click here [INFO](#)

CAUTION / NOTICE / HINT

NOTICE:

- After the ignition switch is turned off, there may be a waiting time before disconnecting the negative (-) auxiliary battery terminal.

Click here [INFO](#)

HINT:

When disconnecting and reconnecting the auxiliary battery, there is an automatic learning function that completes learning when the respective system is used.

Click here [INFO](#)

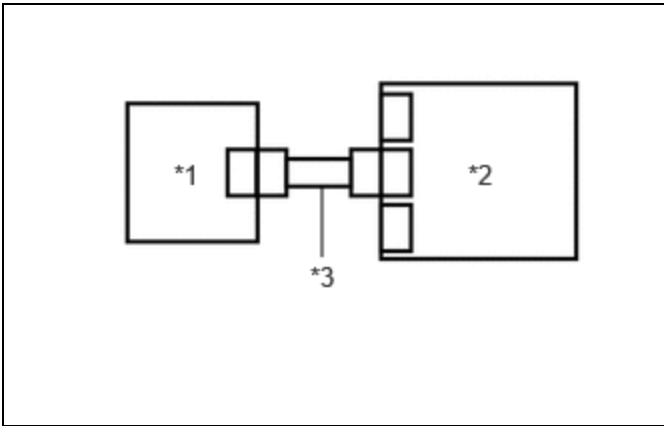
- After replacing the airbag ECU assembly, refer to work procedure.

Click here [INFO](#)

PROCEDURE

| | |
|-----------|------------------|
| 1. | CLEAR DTC |
|-----------|------------------|

Pre-procedure1



| | |
|----|------------------------|
| *1 | Front Airbag Sensor LH |
| *2 | Airbag ECU Assembly |
| *3 | Wire Harness |

(a) Turn the ignition switch off.

- (b) Disconnect the cable from the negative (-) auxiliary battery terminal, and wait for at least 60 seconds.
- (c) Interchange the front airbag sensor RH with LH and connect the connectors to them.
- (d) Connect the cable to the negative (-) auxiliary battery terminal, and wait for at least 2 seconds.
- (e) Turn the ignition switch to ON, and wait for at least 60 seconds.

Procedure1

(f) Clear the DTCs stored in memory.

Body Electrical > SRS Airbag > Clear DTCs

Post-procedure1

(g) Turn the ignition switch off.

NEXT



2. CHECK FRONT AIRBAG SENSOR RH

Pre-procedure1

(a) Turn the ignition switch to ON, and wait for at least 60 seconds.

Procedure1

(b) Check for DTCs.

Body Electrical > SRS Airbag > Trouble Codes

| RESULT | PROCEED TO |
|------------------------------------|------------|
| B009596 is output | A |
| B009096 is output | B |
| B009096 and B009596 are not output | C |

HINT:

Codes other than DTCs B009096 and B009596 may be output at this time, but they are not related to this check.

Post-procedure1

- (c) Turn the ignition switch off.
- (d) Disconnect the cable from the negative (-) auxiliary battery terminal, and wait for at least 60 seconds.
- (e) Return the front airbag sensor LH and RH to their original positions and connect the connectors to them.

A ▶ REPLACE AIRBAG ECU ASSEMBLY [INFO](#)

B ▶ REPLACE FRONT AIRBAG SENSOR RH [INFO](#)

C ▶ USE SIMULATION METHOD TO CHECK

