

<b>Last Modified:</b> 12-04-2024	6.11:8.1.0	<b>Doc ID:</b> RM100000028UVI
<b>Model Year Start:</b> 2023	<b>Model:</b> Prius Prime	<b>Prod Date Range:</b> [12/2022 - ]
<b>Title:</b> SUPPLEMENTAL RESTRAINT SYSTEMS: AIRBAG SYSTEM: B009283; Left Side Restraints Sensor 2 Value of Signal Protection Calculation Incorrect; 2023 - 2024 MY Prius Prius Prime [12/2022 - ]		

<b>DTC</b>	<b>B009283</b>	<b>Left Side Restraints Sensor 2 Value of Signal Protection Calculation Incorrect</b>
------------	----------------	---

## DESCRIPTION

DTC NO.	DETECTION ITEM	DTC DETECTION CONDITION	TROUBLE AREA	WARNING INDICATE	DTC OUTPUT FROM	PRIORITY	TEST MODE / CHECK MODE
B009283	Left Side Restraints Sensor 2 Value of Signal Protection Calculation Incorrect	<ul style="list-style-type: none"> <li>Floor side airbag sensor LH malfunction</li> <li>Airbag ECU assembly malfunction</li> </ul>	<ul style="list-style-type: none"> <li>Floor side airbag sensor LH</li> <li>Airbag ECU assembly</li> </ul>	Comes on	SRS Airbag	A	Does not apply to test/check mode

## WIRING DIAGRAM

Click here [INFO](#)

## CAUTION / NOTICE / HINT

### NOTICE:

- After the ignition switch is turned off, there may be a waiting time before disconnecting the negative (-) auxiliary battery terminal.

Click here [INFO](#)

### HINT:

When disconnecting and reconnecting the auxiliary battery, there is an automatic learning function that completes learning when the respective system is used.

Click here [INFO](#)

- After replacing the airbag ECU assembly, refer to work procedure.

Click here [INFO](#)

## PROCEDURE

<b>1.</b>	<b>CHECK DTC</b>
-----------	------------------

Pre-procedure1

(a) Turn the ignition switch to ON, and wait for at least 60 seconds.

Procedure1

(b) Check for DTCs.

**Body Electrical > SRS Airbag > Trouble Codes**

RESULT	PROCEED TO
B009283 is output	A
B009283 is not output	B

Post-procedure1

(c) None

**B**  **USE SIMULATION METHOD TO CHECK**

**A**



<b>2.</b>	<b>CHECK CONNECTION OF CONNECTORS</b>
-----------	---------------------------------------

Pre-procedure1

(a) Turn the ignition switch off.

(b) Disconnect the cable from the negative (-) auxiliary battery terminal, and wait for at least 60 seconds.

Procedure1

(c) Check that the connectors are properly connected to the airbag ECU assembly and floor side airbag sensor LH.

OK:

The connectors are properly connected.

Post-procedure1

(d) None

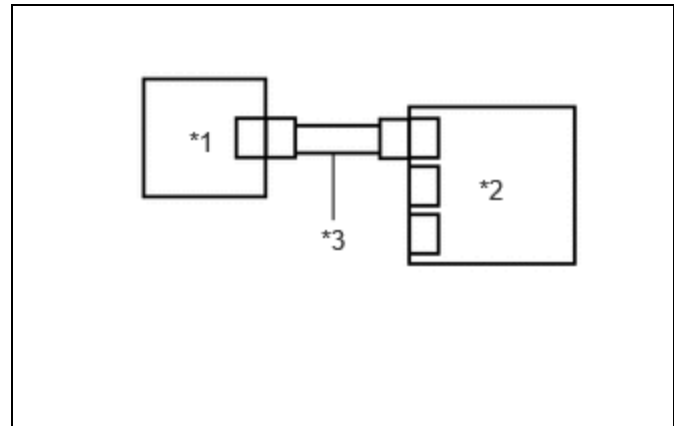
**NG**  **CONNECT CONNECTORS PROPERLY**

**OK**



### 3. CLEAR DTC

#### Pre-procedure1



- (a) Interchange the floor side airbag sensor LH with RH and connect the connectors to them.

*1	Floor Side Airbag Sensor RH
*2	Airbag ECU Assembly
*3	Wire Harness

- (b) Connect the cable to the negative (-) auxiliary battery terminal, and wait for at least 2 seconds.  
 (c) Turn the ignition switch to ON, and wait for at least 60 seconds.

#### Procedure1

- (d) Clear the DTCs stored in memory.

**Body Electrical > SRS Airbag > Clear DTCs**

#### Post-procedure1

- (e) Turn the ignition switch off.

## NEXT



### 4. CHECK FLOOR SIDE AIRBAG SENSOR LH

#### Pre-procedure1

- (a) Turn the ignition switch to ON, and wait for at least 60 seconds.

#### Procedure1

- (b) Check for DTCs.

**Body Electrical > SRS Airbag > Trouble Codes**

RESULT	PROCEED TO
B009283 is output	A
B009783 is output	B
B009283 and B009783 are not output	C

**HINT:**

Codes other than DTCs B009283 and B009783 may be output at this time, but they are not related to this check.

Post-procedure1

- (c) Turn the ignition switch off.
- (d) Disconnect the cable from the negative (-) auxiliary battery terminal, and wait for at least 60 seconds.
- (e) Return the floor side airbag sensor RH and LH to their original positions and connect the connectors to them.

**A** ► REPLACE AIRBAG ECU ASSEMBLY INFO

**B** ► REPLACE FLOOR SIDE AIRBAG SENSOR LH INFO

**C** ► USE SIMULATION METHOD TO CHECK

