

Last Modified: 12-04-2024	6.11:8.1.0	Doc ID: RM100000028UVG
Model Year Start: 2023	Model: Prius Prime	Prod Date Range: [12/2022 -]
Title: SUPPLEMENTAL RESTRAINT SYSTEMS: AIRBAG SYSTEM: B009083; Left Frontal Restraints Sensor Value of Signal Protection Calculation Incorrect; 2023 - 2024 MY Prius Prius Prime [12/2022 -]		

DTC	B009083	Left Frontal Restraints Sensor Value of Signal Protection Calculation Incorrect
------------	----------------	--

DESCRIPTION

DTC NO.	DETECTION ITEM	DTC DETECTION CONDITION	TROUBLE AREA	WARNING INDICATE	DTC OUTPUT FROM	PRIORITY	TEST MODE / CHECK MODE
B009083	Left Frontal Restraints Sensor Value of Signal Protection Calculation Incorrect	<ul style="list-style-type: none"> • Front airbag sensor LH malfunction • Airbag ECU assembly malfunction 	<ul style="list-style-type: none"> • Front airbag sensor LH • Airbag ECU assembly 	Comes on	SRS Airbag	A	Does not apply to test/check mode

WIRING DIAGRAM

Click here [INFO](#)

CAUTION / NOTICE / HINT

NOTICE:

- After the ignition switch is turned off, there may be a waiting time before disconnecting the negative (-) auxiliary battery terminal.

Click here [INFO](#)

HINT:

When disconnecting and reconnecting the auxiliary battery, there is an automatic learning function that completes learning when the respective system is used.

Click here [INFO](#)

- After replacing the airbag ECU assembly, refer to work procedure.

Click here [INFO](#)

PROCEDURE

1.	CHECK DTC
-----------	------------------

Pre-procedure1

(a) Turn the ignition switch to ON, and wait for at least 60 seconds.

Procedure1

(b) Check for DTCs.

Body Electrical > SRS Airbag > Trouble Codes

RESULT	PROCEED TO
B009083 is output	A
B009083 is not output	B

Post-procedure1

(c) None

B ▶ USE SIMULATION METHOD TO CHECK**A**

2.	CHECK CONNECTION OF CONNECTORS
-----------	---------------------------------------

Pre-procedure1

(a) Turn the ignition switch off.

(b) Disconnect the cable from the negative (-) auxiliary battery terminal, and wait for at least 60 seconds.

Procedure1

(c) Check that the connectors are properly connected to the airbag ECU assembly and front airbag sensor LH.

OK:

The connectors are properly connected.

Post-procedure1

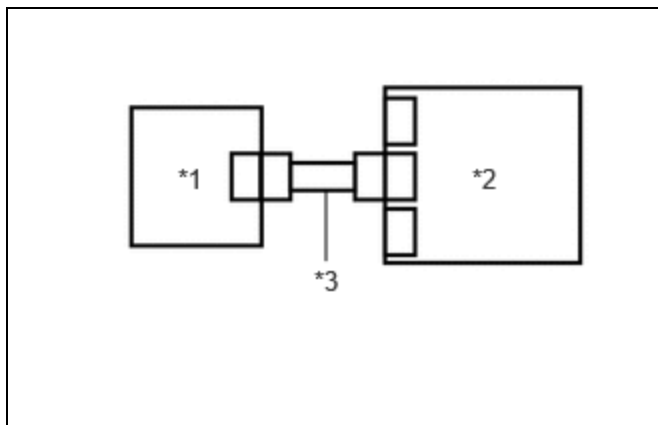
(d) None

NG ▶ CONNECT CONNECTORS PROPERLY**OK**

3.	CLEAR DTC
-----------	------------------

Pre-procedure1

- (a) Interchange the front airbag sensor LH with RH and connect the connectors to them.



*1	Front Airbag Sensor RH
*2	Airbag ECU Assembly
*3	Wire Harness

- (b) Connect the cable to the negative (-) auxiliary battery terminal, and wait for at least 2 seconds.
 (c) Turn the ignition switch to ON, and wait for at least 60 seconds.

Procedure1

- (d) Clear the DTCs stored in memory.

Body Electrical > SRS Airbag > Clear DTCs

Post-procedure1

- (e) Turn the ignition switch off.

NEXT

4.	CHECK FRONT AIRBAG SENSOR LH
-----------	-------------------------------------

Pre-procedure1

- (a) Turn the ignition switch to ON, and wait for at least 60 seconds.

Procedure1

- (b) Check for DTCs.

Body Electrical > SRS Airbag > Trouble Codes

RESULT	PROCEED TO
B009083 is output	A
B009583 is output	B
B009083 and B009583 are not output	C

HINT:

Codes other than DTCs B009083 and B009583 may be output at this time, but they are not related to this check.

Post-procedure1

- (c) Turn the ignition switch off.
- (d) Disconnect the cable from the negative (-) auxiliary battery terminal, and wait for at least 60 seconds.
- (e) Return the front airbag sensor RH and LH to their original positions and connect the connectors to them.

A ▶ REPLACE AIRBAG ECU ASSEMBLY [INFO](#)

B ▶ REPLACE FRONT AIRBAG SENSOR LH [INFO](#)

C ▶ USE SIMULATION METHOD TO CHECK

